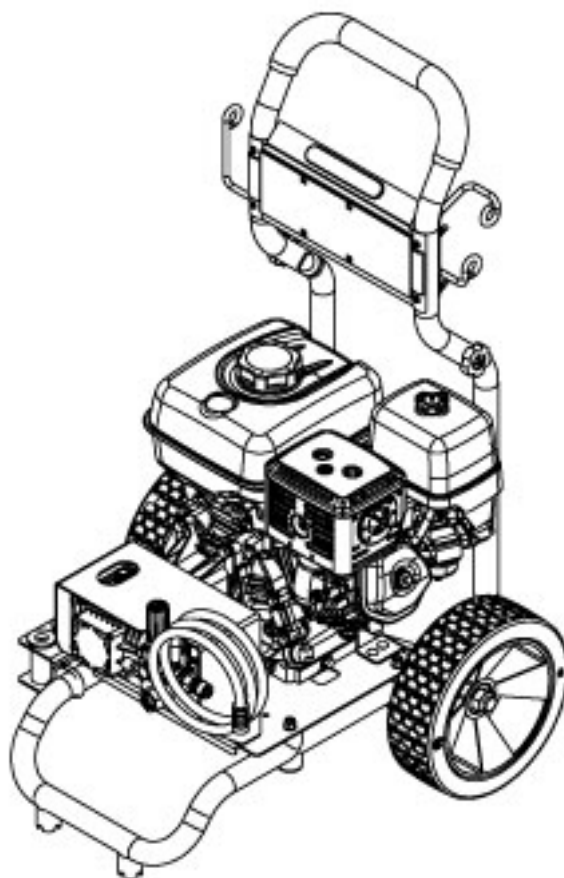


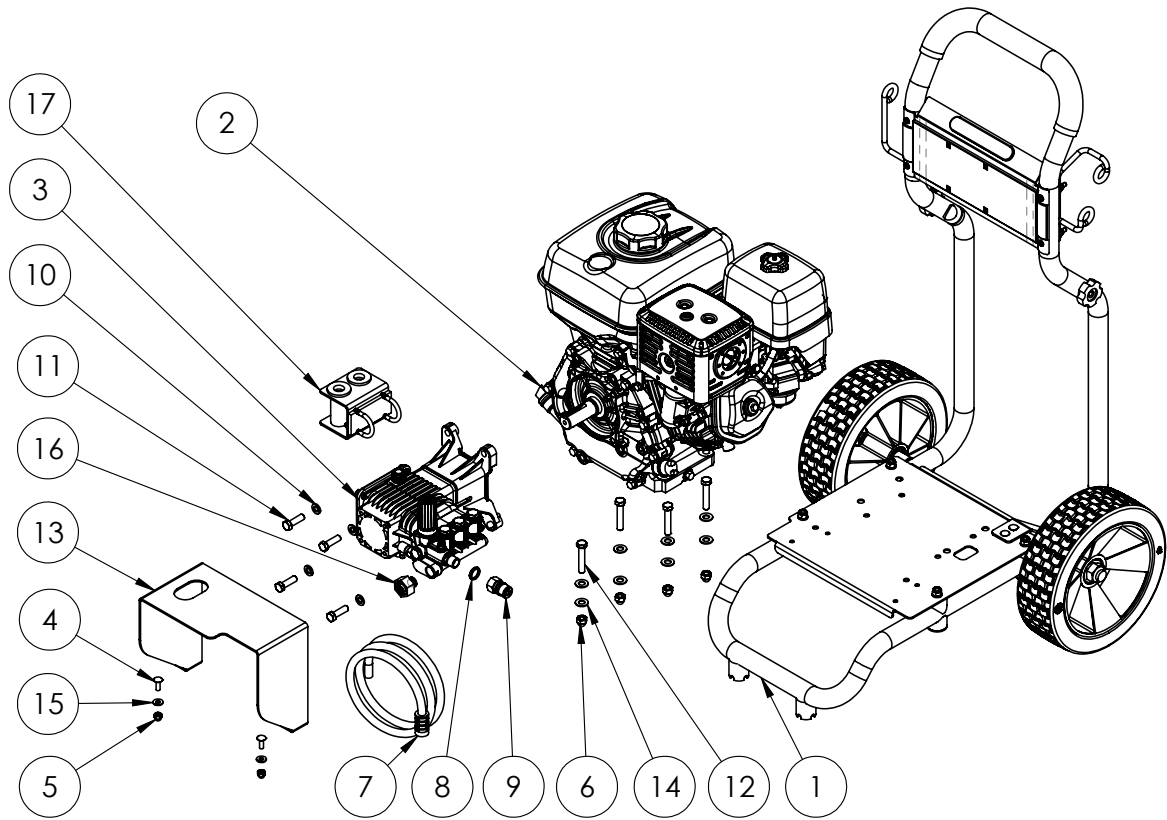
PARTS LIST



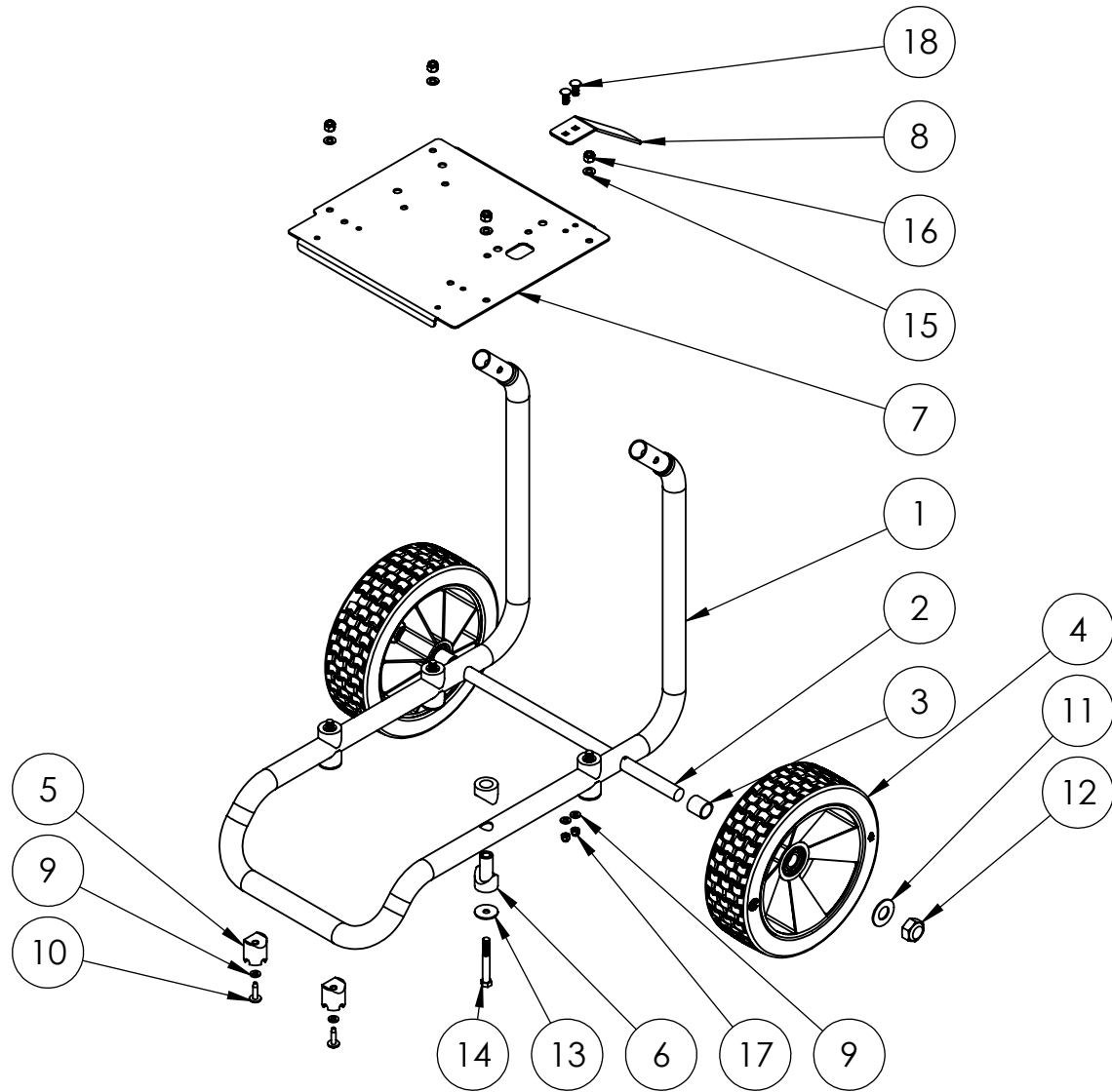
2021.02.17

TABLE OF CONTENTS

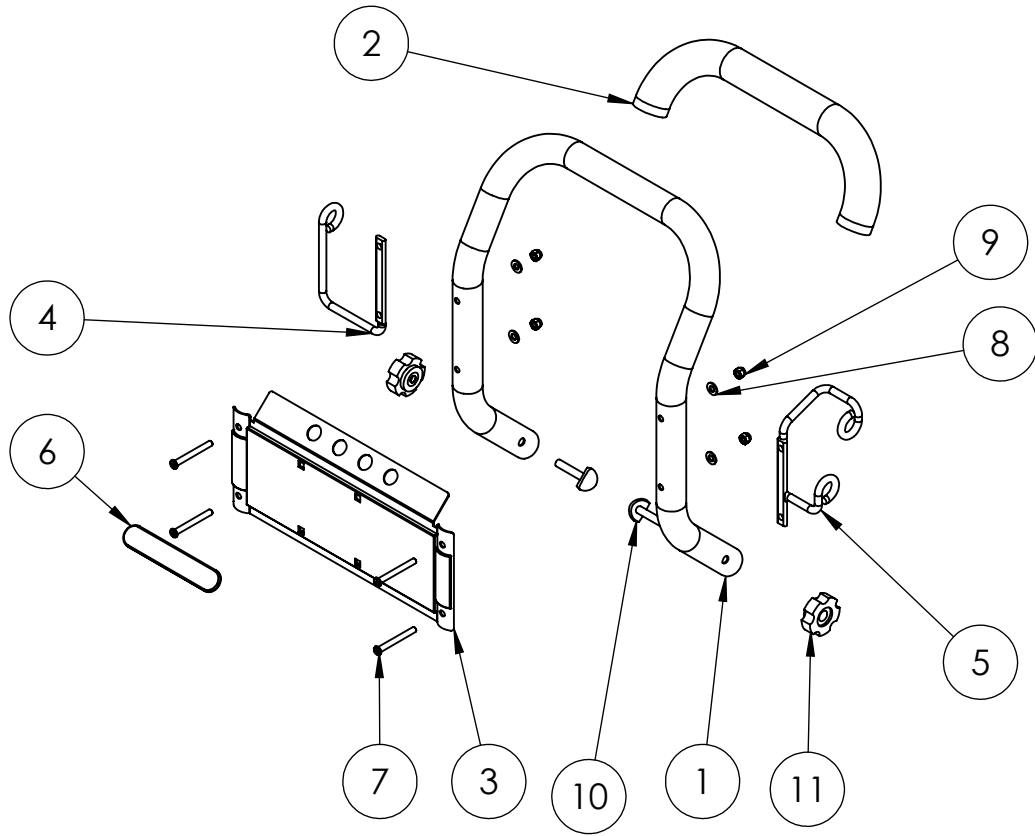
| | |
|---------------------------------|---|
| Overview | 1 |
| Chassis | 3 |
| Handle | 5 |
| Pump MC 5C 240, MC 5C 280 | 7 |



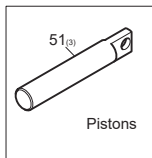
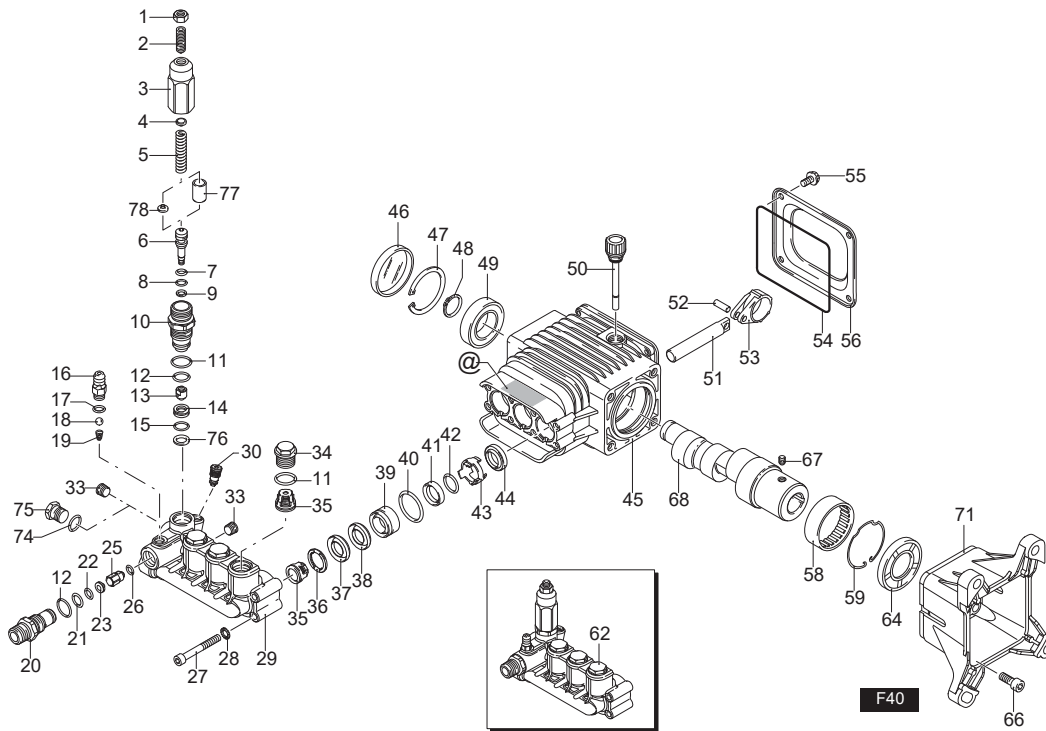
| Pos. | Réf article | Qté | Désignation | Notes |
|------|-------------|-----|--|-------|
| 1 | | 1 | FRAME, LARGE TIP BACK | |
| 2 | | 1 | ENGINE, HONDA, 270 CC | |
| 3 | 31001262 | 1 | PUMP W/KNOB AND EZ | |
| 4 | 31000692 | 2 | VIS TRCC 1/4-20X3/4 | |
| 5 | 31000710 | 2 | ECROU NYLSTOP 1/4-20 | |
| 6 | 31000712 | 4 | ECROU NYLSTOP 3/8-16 | |
| 7 | 31001244 | 1 | INJECTOR HOSE ASSEMBLY | |
| 8 | 1801075 | 1 | ANNEAU DE JOINT | |
| 9 | 1600493 | 1 | RACCORD RAPIDE MALE HP EN 3/8 | |
| 10 | | 4 | LOCK WASHER, 3/8 | |
| 11 | | 4 | HHCS, 3/8-16 X 1 1/4 GR5 | |
| 12 | | 4 | HHCS, USS, GR5, 3/8-16 X 2 | |
| 13 | 31001247 | 1 | CARTER BLEU DE PROTECTION DE POMPE | |
| 14 | 31000706 | 8 | RONDELLE INOX 3/8 | |
| 15 | 31000704 | 2 | RONDELLE PLATE 1/4 | |
| 16 | 31001257 | 1 | KIT DE 4 RACCORDS FEMELLES EN LAITON 3/8 | |
| 17 | 31001242 | 1 | DUAL LANCE HOLDER ASSEMBLY | |



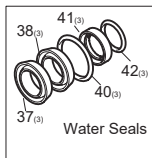
| Pos. | Réf article | Qté | Désignation | Notes |
|------|-------------|-----|----------------------------|-------|
| 1 | | 1 | FRAME, BASE TUBE | |
| 2 | | 1 | AXLE, 545MM, THREADED | |
| 3 | 31001234 | 2 | SPACER F. WHEEL | |
| 4 | 31001235 | 2 | KIT ROUE LIBRE 10.3 INCH | |
| 5 | 31001236 | 2 | RUBBER FOOT | |
| 6 | 31001240 | 4 | VIBRATION ISOLATOR 60 DURO | |
| 7 | | 1 | BASE PLATE | |
| 8 | | 1 | KICK STAND | |
| 9 | | 4 | FLAT WASHER, M6 | |
| 10 | | 2 | 1/4-20 X 1 TORX SCREW | |
| 11 | | 2 | FLAT WASHER, 19MM | |
| 12 | | 2 | 3/4-16 NYLON LOCK NUT | |
| 13 | | 4 | FLAT WASHER, M8 X 32 | |
| 14 | | 4 | HEX BOLT, M8-1 X 70 | |
| 15 | | 4 | FLAT WASHER, M8 | |
| 16 | | 4 | NYLON LOCK NUT, M8-1 | |
| 17 | | 2 | NYLON LOCK NUT, M6-1 | |
| 18 | | 2 | M6-1 X 20MM CARRIAGE BOLT | |



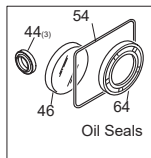
| Pos. | Réf article | Qté | Désignation | Notes |
|------|-------------|-----|-------------------------------|-------|
| 1 | | 1 | HANDLE, TUBE | |
| 2 | | 1 | FOAM GRIP | |
| 3 | | 1 | NOZZLE BRACKET | |
| 4 | 31001238 | 1 | HANGER F. HOSE | |
| 5 | 31001239 | 1 | HANGER F. GUN | |
| 6 | | 1 | GROMMET, BLACK RUBBER, 4 HOLE | |
| 7 | | 4 | BHCS, M6-1 X 55 | |
| 8 | | 4 | FLAT WASHER, M6 | |
| 9 | | 4 | NYLON LOCK NUT, M6-1 | |
| 10 | 31001233 | 2 | SADDLE BOLT M8-1 X 45 MM | |
| 11 | 31001237 | 2 | KNOB M8-1 | |



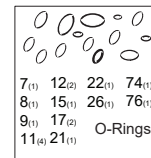
100



101



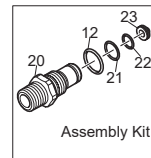
102



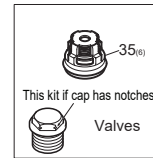
103



104



105



106

| Pos. | Réf article | Qté | Désignation | Notes |
|------|-------------|-----|--------------------------------|-------|
| 0 | 31001263 | 1 | POMPE CPL MC 5M 280/1000 PE | [1] |
| 0 | 31001262 | 1 | PUMP W/KNOB AND EZ | [2] |
| 1 | 31001199 | 1 | ECROU | |
| 2 | 31001282 | 1 | GRUB SCREW M6X12 | |
| 3 | 31001283 | 1 | molette | |
| 4 | 31000630 | 2 | RONDELLE D'APPUI DU RESSORT | |
| 5 | 31000649 | 1 | RESSORT 10.62X6.08X2.8 | |
| 6 | 31000648 | 1 | SOUPAPE PISTON | |
| 7 | | 1 | Part of Position 103 | |
| 8 | | 1 | Part of Position 103 | |
| 9 | | 1 | Part of Position 103 | |
| 10 | | 1 | PISTON GUIDE | |
| 11 | 301003040 | 4 | JOINT D 15.6 X 1.78 | |
| 12 | | 2 | Part of Position 103 | |
| 13 | 31000634 | 1 | GICLEUR | |
| 14 | 31001285 | 1 | SEAT | |
| 15 | | 1 | Part of Position 103 | |
| 16 | 301003062 | 1 | RACCORD DE FLEXIBLE | |
| 17 | | 1 | Part of Position 103 | |
| 18 | G280159 | 1 | BILLE G-3000 | [3] |
| 19 | | 1 | Part of Position 103 | |
| 20 | 31000644 | 1 | DETERGENT INJECTOR 3/8 INCH G | |
| 21 | | 1 | Part of Position 103 | |
| 22 | | 1 | Part of Position 103 | |
| 23 | 31000641 | 1 | INSERT INJECTEUR | |
| 25 | 31000642 | 1 | JOINT | |
| 26 | 31001286 | 1 | O-RING 4X2.5 | |
| 27 | 31000600 | 8 | BOLT M6X50 | |
| 28 | 909100188 | 8 | CIRCLIPS | |
| 29 | 31001287 | 1 | PUMP HEAD - BARE EZ-START | |
| 30 | 31001288 | 1 | EZ START PLUG POSEIDON PE 5-50 | |
| 33 | 31000645 | 1 | BOUCHON EN 1/4 G | |
| 34 | 31001289 | 3 | PLUG Ø15.6 | |
| 35 | 31001290 | 6 | CLAPET POUR MC5 240/940 PE | |
| 36 | | 3 | Part of Position 104 | |
| 37 | | 3 | Part of Position 101 | |
| 38 | | 1 | Part of Position 101 | |
| 39 | 31000633 | 3 | GUIDE PITON | |
| 40 | | 3 | Part of Position 101 | |
| 41 | | 3 | Part of Position 101 | |
| 42 | | 3 | Part of Position 101 | |
| 43 | 31000811 | 3 | ENTRETOISE | |
| 44 | | 3 | SCRAPER RING 15X24X5.0 | |
| 45 | 31000636 | 1 | CARTER DE POMPE | |
| 46 | | 1 | Part of Position 102 | |
| 47 | 31000612 | 1 | SNAP RING Ø52 | |
| 48 | 31000627 | 1 | SNAP RING DE20 UNI7435-75 | |
| 49 | 31000626 | 1 | ROULEMENT 6304 | |
| 50 | 31000605 | 1 | BOUCHON HUILE | |
| 51 | | 3 | Part of Position 100 | |
| 52 | 301001555 | 3 | BOULON | |
| 53 | 301001562 | 3 | BIELLE | |
| 54 | | 1 | Part of Position 102 | |
| 55 | 31000601 | 4 | BOLT M6X12 | |
| 56 | 31000640 | 1 | HOUSSE DE VILEBREQUIN | |
| 58 | 909100174 | 1 | ROULEMENT A AIGUILLES | |
| 59 | 301001539 | 1 | CIRCLIP | |
| 62 | 31001291 | 1 | COMPLETE PUMP HEAD EZ | |
| 64 | | 1 | Part of Position 102 | |

| Pos. | Réf article | Qté | Désignation | Notes |
|------|-------------|-----|-----------------------------|-------|
| 66 | 31000593 | 4 | BOLT M8X20 | |
| 67 | 31000604 | 1 | SET SCREW M6 | |
| 68 | 31000625 | 1 | HOLLOW SHAFT Ø1 INCH | [4] |
| 68 | 31000624 | 1 | ARBRE CREUX Ø1 INCH | [5] |
| 71 | 31000646 | 1 | FLANGE F40 | |
| 74 | 301003043 | 1 | JOINT TORIQUE D.10,82X1,78 | |
| 75 | 301003044 | 1 | BOUCHON FILETE | |
| 76 | 31001299 | 1 | RING | |
| 77 | 31001300 | 1 | bague | |
| 78 | 31000630 | 1 | RONDELLE D'APPUI DU RESSORT | |
| 101 | 31001293 | 1 | KIT JOINTS 3 PIECES | |
| 100 | 31001292 | 1 | PISTON KIT 3 PCS | |
| 102 | 31001294 | 1 | OIL SEAL KIT | |
| 103 | 31001295 | 1 | KIT JOINTS | |
| 104 | 31001296 | 1 | SUPPORT RING KIT Ø20 3 PCS | |
| 105 | 31001297 | 1 | KIT RACCORD | |
| 106 | 31001298 | 1 | VALVES | |

Part Notes:

- [1] - MC 5C 280
- [2] - MC 5C 240
- [3] - Gerni Machines outph.2006
- [4] - 5C 240
- [5] - 5C 280

