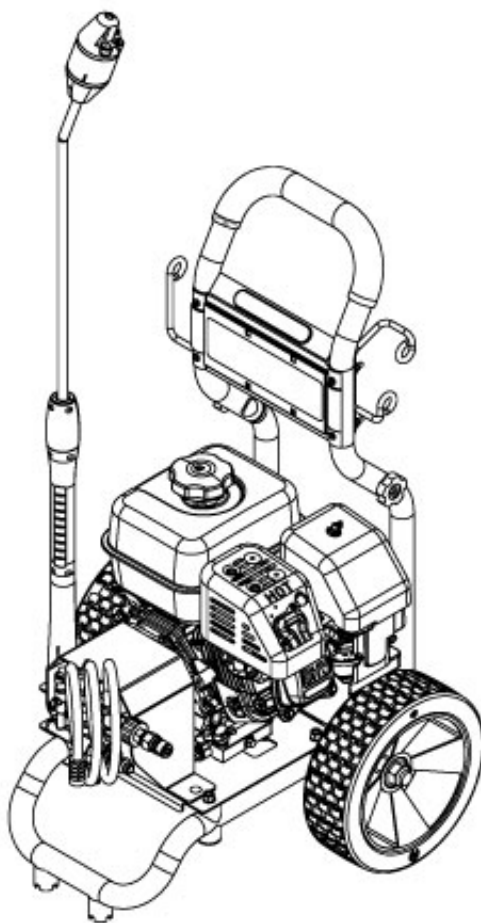


# PARTS LIST

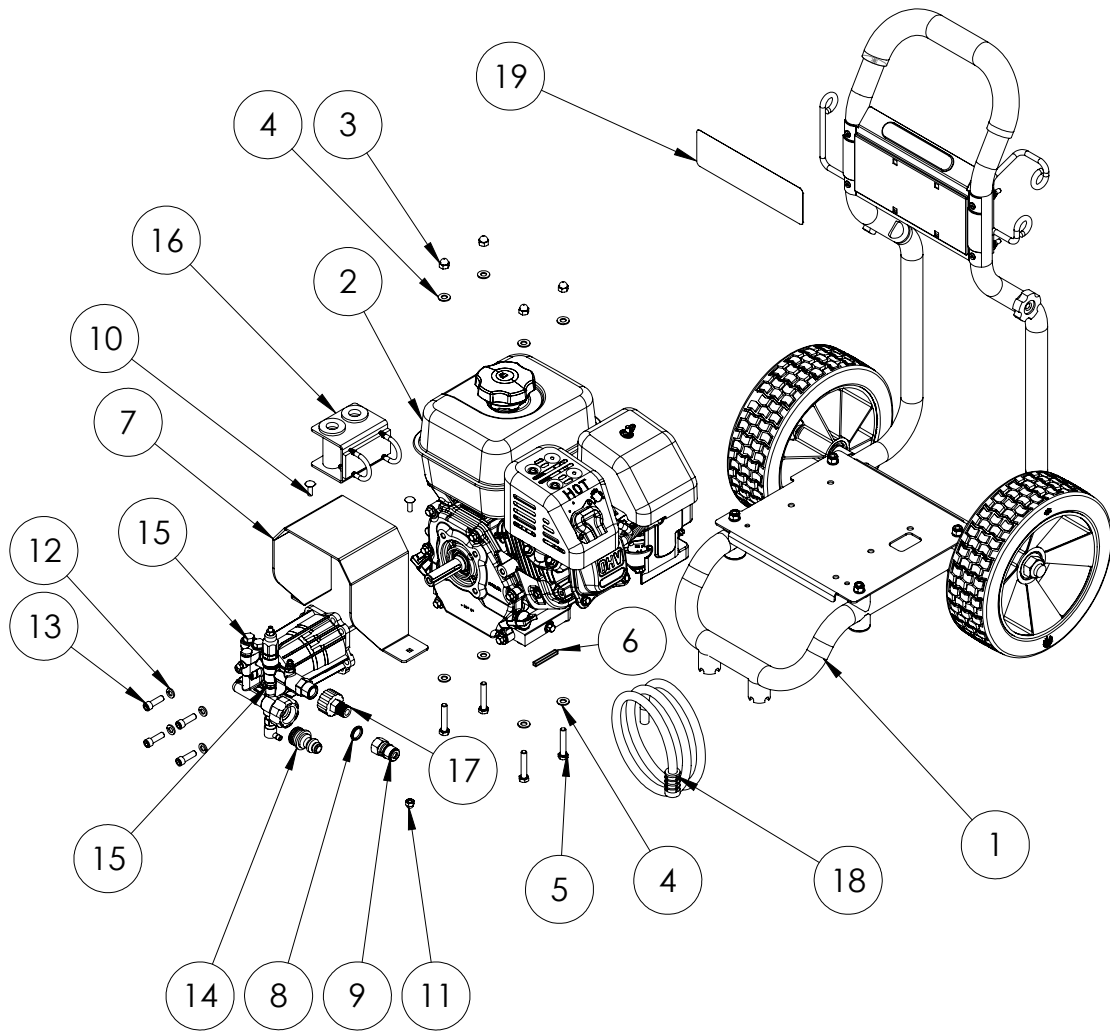


2021.08.18

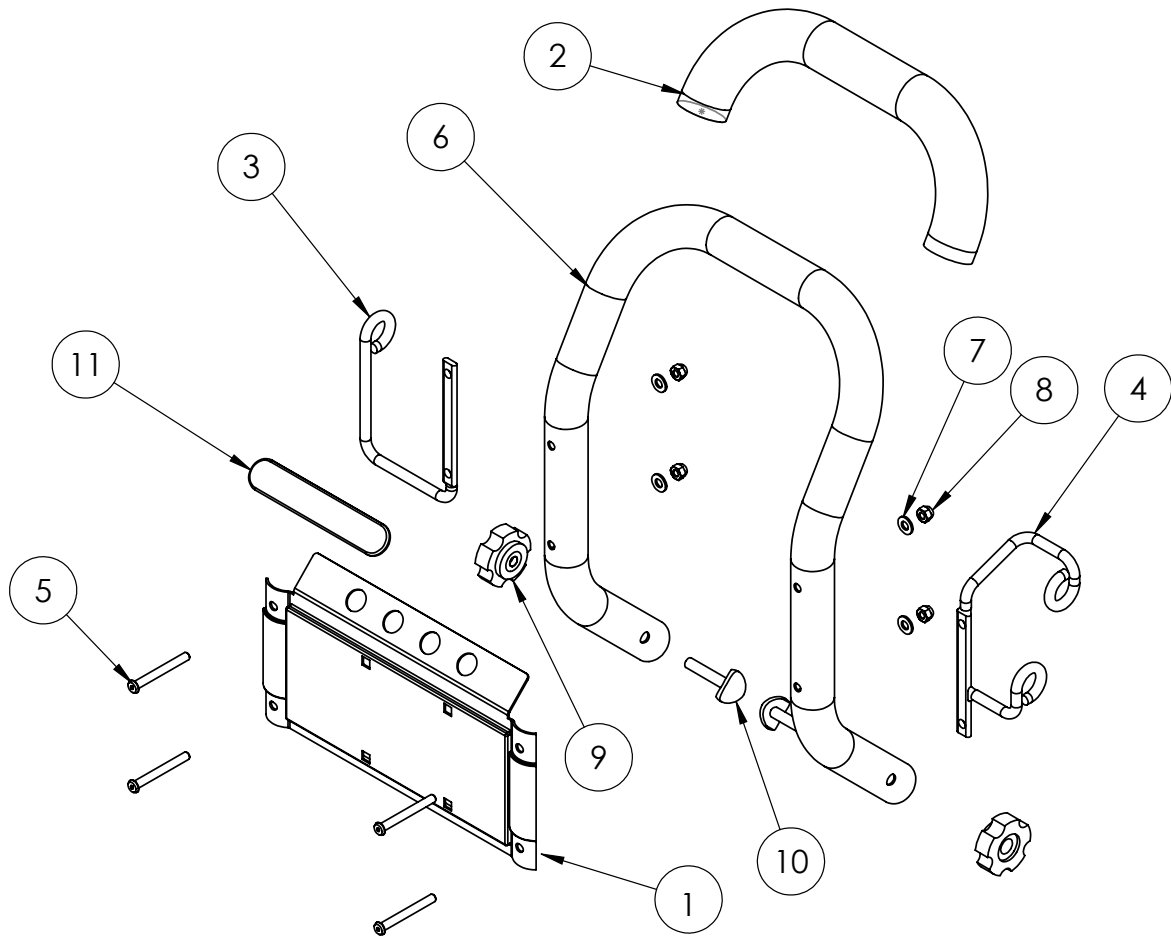
# TABLE OF CONTENTS

---

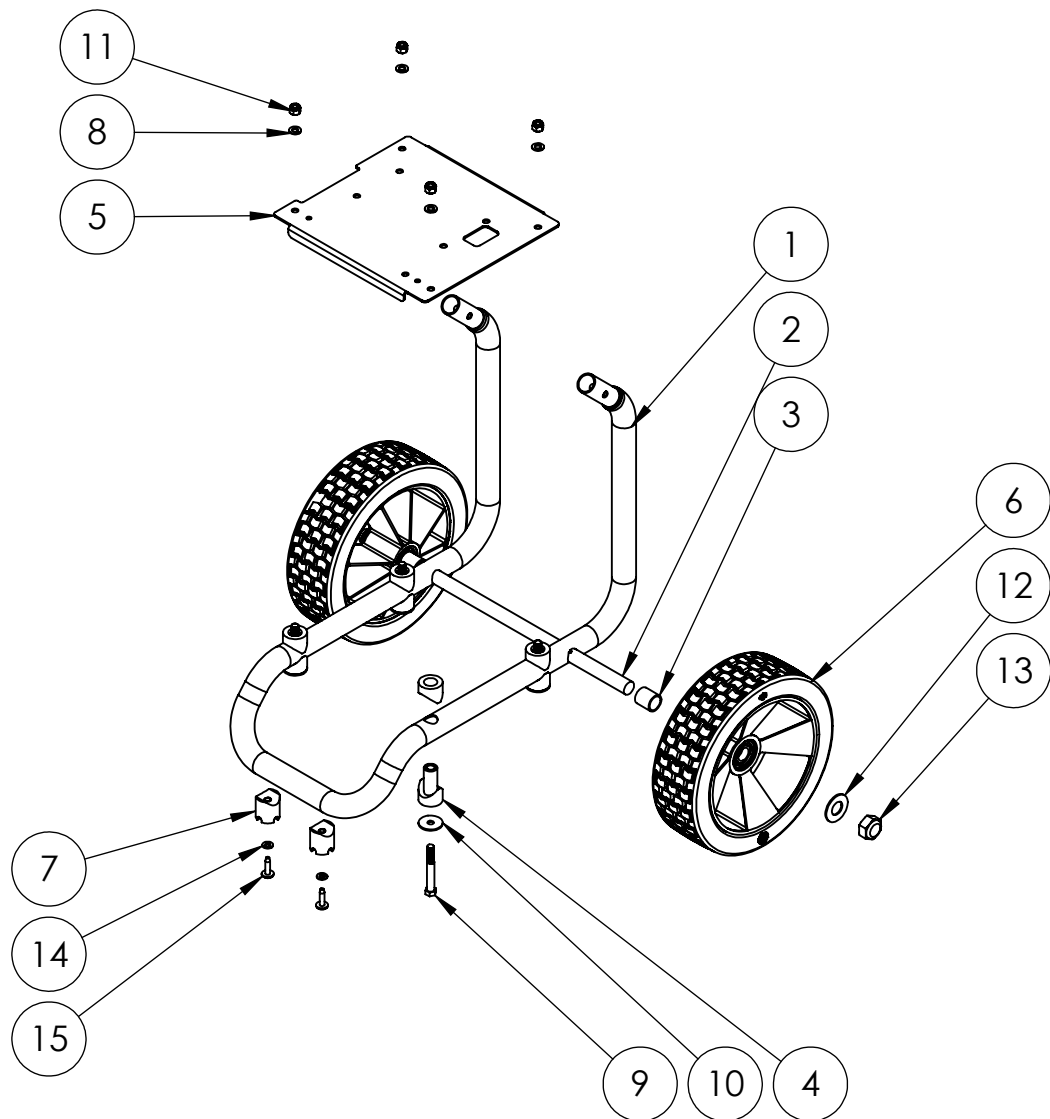
Overview .....	1
Handle .....	3
Chassis .....	5
Pump_MC 2C 160 .....	7



Pos.	Réf article	Qté	Désignation	Notes
1		1	FRAME, SMALL TIP BACK	
2		1	ENGINE, KOHLER, 6.5 KP	
3	31000711	4	NUT NYLOCK 5/16-18	
4	31000705	8	RONDELLE PLATE 5/16	
5		4	HHCS, 5/16-18 X 1 3/4	
6		1	KEYSTOCK, 3/16 X 1 3/4 LONG	
7	31001245	1	PUMP GUARD MC 2C T	
8	1801075	1	ANNEAU DE JOINT	
9	1600493	1	RACCORD RAPIDE MALE HP EN 3/8	
10	31000692	2	VIS TRCC 1/4-20X3/4	
11	31000710	2	ECROU NYLSTOP 1/4-20	
12	31000713	4	RONDELLE D'ARRET 5/16	
13		4	SOCKET HEAD CAP SCREW, 5/16-24 X 1"	
14	31001243	1	CONNECTEUR RAPIDE MALE	
15	31001261	1	POMPE 3400 RPM 3/ 4	
16	31001242	1	DUAL LANCE HOLDER ASSEMBLY	
17	31001250	1	TWIST COUPLER 1/4NPTM X 22 MM FEMALE	
18	31001244	1	INJECTOR HOSE ASSEMBLY	
19		1	NiiFisk Dash Decal	

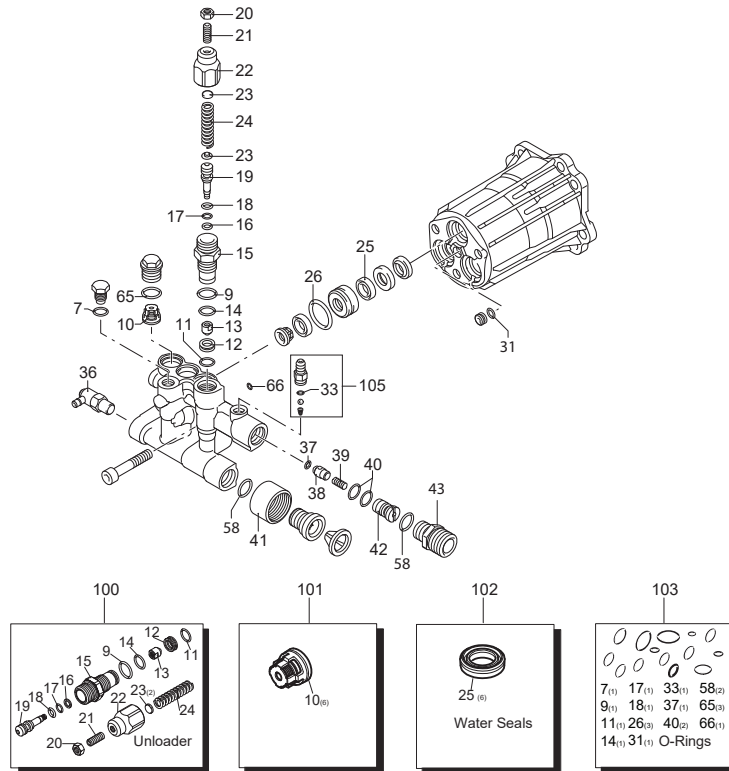


Pos.	Réf article	Qté	Désignation	Notes
1		1	DASHBOARD	
2		1	FOAM GRIP	
3	31001238	1	HANGER F. HOSE	
4	31001239	1	HANGER F. GUN	
5		4	BHCS, M6-1 X 55	
6		1	HANDLE, UPPER, TUBE	
7		4	FLAT WASHER, M6	
8		4	NYLON LOCK NUT, M6-1	
9	31001237	2	KNOB M8-1	
10	31001233	2	SADDLE BOLT M8-1 X 45 MM	
11		1	GROMMET, BLACK RUBBER, 4 HOLE	



Pos.	Réf article	Qté	Désignation	Notes
1		1	FRAME, BASE TUBE	
2		1	AXLE, 495MM, THREADED	
3	31001234	2	SPACER F. WHEEL	
4	31001240	4	VIBRATION ISOLATOR 60 DURO	
5		1	BASE PLATE	
6	31001235	2	KIT ROUE LIBRE 10.3 INCH	
7	31001236	2	RUBBER FOOT	
8		4	FLAT WASHER, M8	
9		4	HEX BOLT, M8-1 X 70	
10		4	FLAT WASHER, M8 X 32	
11		4	NYLON LOCK NUT, M8-1	
12		2	FLAT WASHER, 19MM	
13		2	M18 X 1.5 NYLON LOCK NUT	
14		2	FLAT WASHER, M6	
15		2	1/4-20 X 1 TORX SCREW	





Pos.	Réf article	Qté	Désignation	Notes
1	31001261	1	POMPE 3400 RPM 3/ 4	
36	31001270	1	THERMO VALVE	
38	31001271	1	PISTON CLAPET	
39	31000891	1	RESSORT	
40	31000892	1	JOINT TORRIQUE 8.73X1.78 NBR 70SH	
41	31001272	1	RACCORD	
42	31001273	1	DETERGENT INJECTOR	
43	31000969	1	RACCORD 3/8INCH GM - 3/8INCH G M	
100	31000851	1	KIT BY-PASS	
101	31000853	1	KIT CLAPETS	
102	31000863	1	KIT JOINTS D EAU POUR PISTONS	
103	31000864	1	KIT JOINTS TORIQUES	
105	31000875	1	CLAPET DETERGENT	

