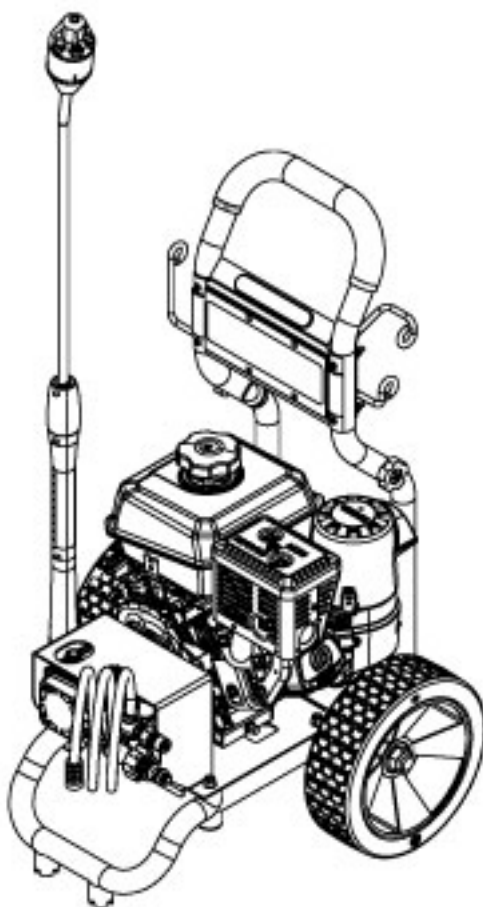


# PARTS LIST

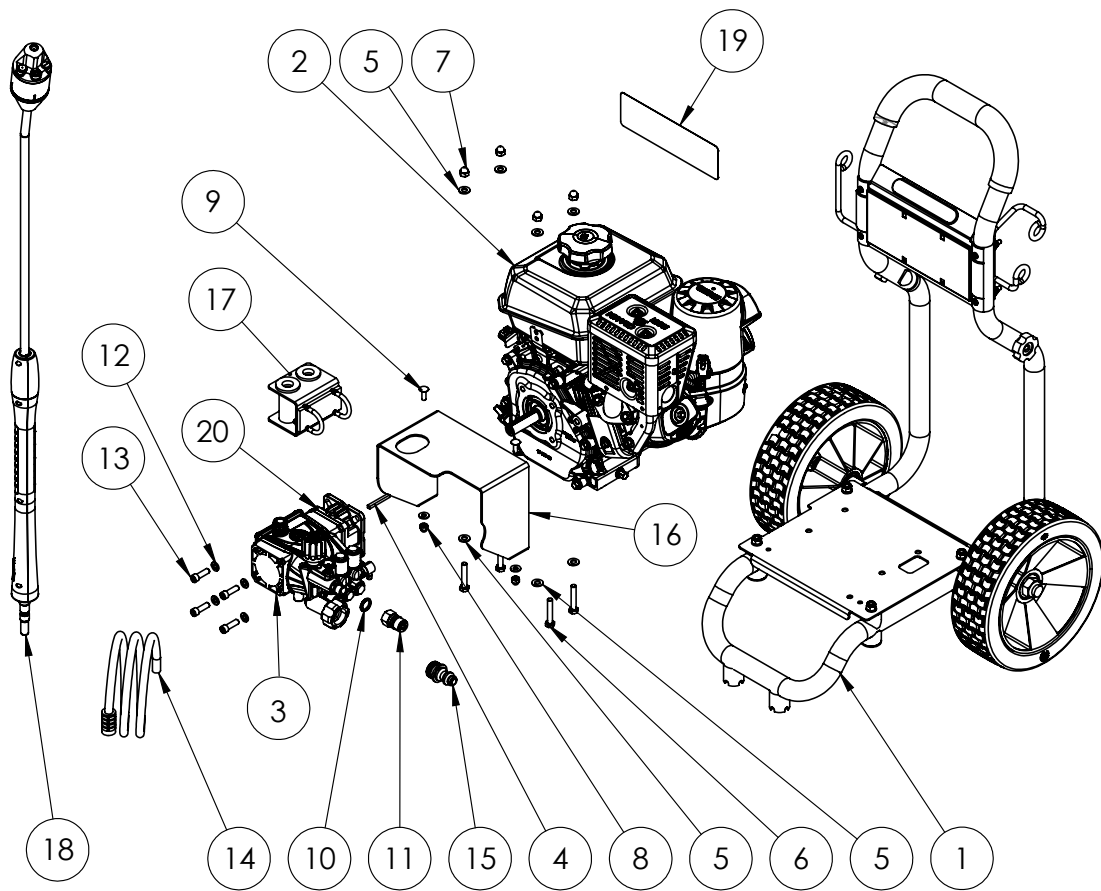


2021.02.09

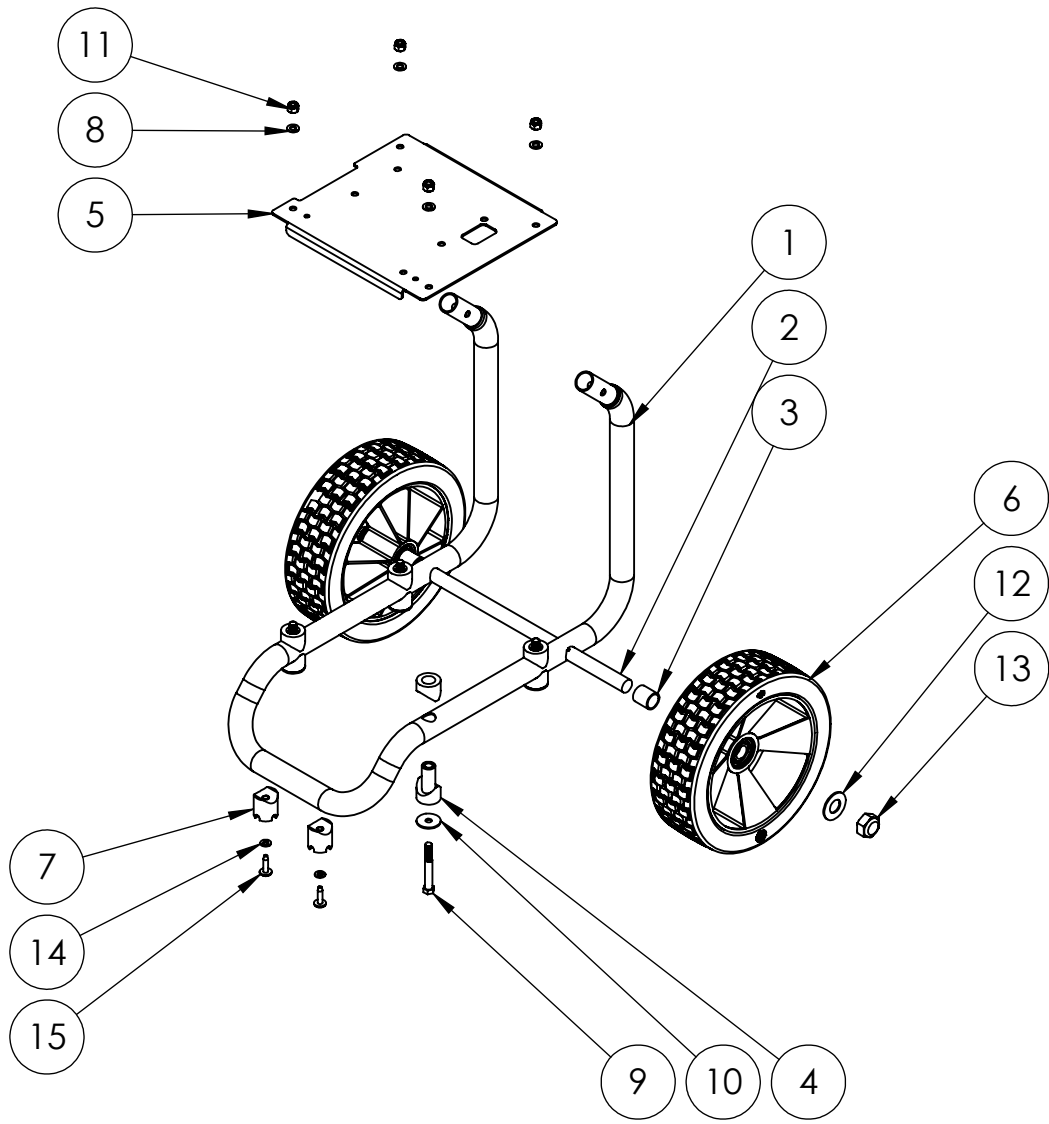
# TABLE OF CONTENTS

---

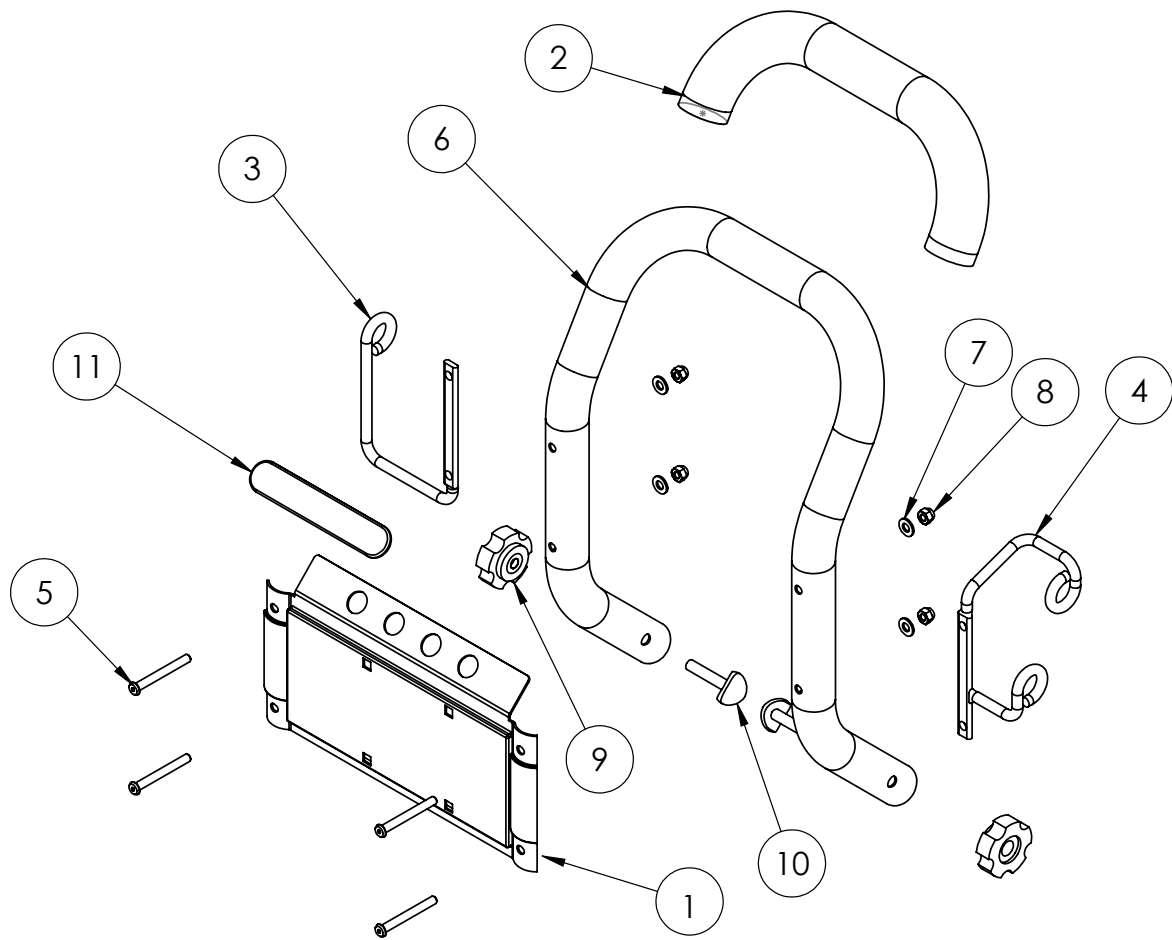
Overview .....	1
Chassis .....	3
Handle .....	5
Pump_MC3_MC4 .....	7
Pump kits MC3 - MC4 .....	10



Pos.	Réf article	Qté	Désignation	Notes
1		1	FRAME, SMALL TIP BACK	
2		1	ENGINE, KOHLER, 7 HP	
3	31001327	1		
4		1	KEYSTOCK, 3/16 X 1 3/4 LONG	
5	31000705	8	RONDELLE PLATE 5/16	
6		4	HHCS, 5/16-18 X 1 3/4	
7	31000711	4	NUT NYLOCK 5/16-18	
8	31000710	2	ECROU NYLSTOP 1/4-20	
9	31000692	2	VIS TRCC 1/4-20X3/4	
10	1801075	1	ANNEAU DE JOINT	
11	1600493	1	RACCORD RAPIDE MALE HP EN 3/8	
12	31000713	4	RONDELLE D'ARRET 5/16	
13		4	SOCKET HEAD CAP SCREW, 5/16-24 X 1"	
14	31001244	1	INJECTOR HOSE ASSEMBLY	
15	31001243	1	CONNECTEUR RAPIDE MALE	
16	31001246	1	PUMP GUARD	
17	31001242	1	DUAL LANCE HOLDER ASSEMBLY	
18	301150157	1	LANCE 4 EN 1 + 0370 TETE ALU	
19		1	Dash Board Decal	
20	31001326	1		

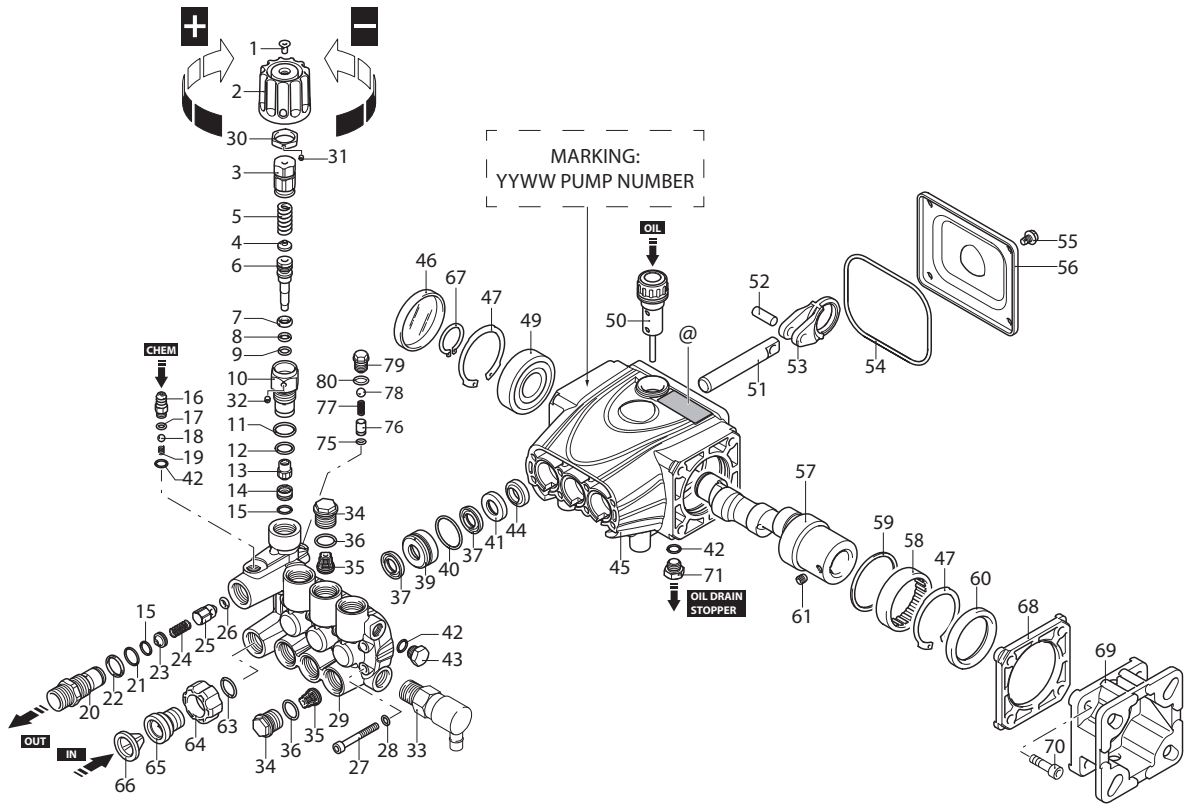


Pos.	Réf article	Qté	Désignation	Notes
1		1	FRAME, BASE TUBE	
2		1	AXLE, 495MM, THREADED	
3	31001234	2	SPACER F. WHEEL	
4	31001240	4	VIBRATION ISOLATOR 60 DURO	
5		1	BASE PLATE	
6	31001235	2	KIT ROUE LIBRE 10.3 INCH	
7	31001236	2	RUBBER FOOT	
8		4	FLAT WASHER, M8	
9		4	HEX BOLT, M8-1 X 70	
10		4	FLAT WASHER, M8 X 32	
11		4	NYLON LOCK NUT, M8-1	
12		2	FLAT WASHER, 19MM	
13		2	M18 X 1.5 NYLON LOCK NUT	
14		2	FLAT WASHER, M6	
15		2	1/4-20 X 1 TORX SCREW	



Pos.	Réf article	Qté	Désignation	Notes
1		1	DASHBOARD	
2		1	FOAM GRIP	
3	31001238	1	HANGER F. HOSE	
4	31001239	1	HANGER F. GUN	
5		4	BHCS, M6-1 X 55	
6		1	HANDLE, UPPER, TUBE	
7		4	FLAT WASHER, M6	
8		4	NYLON LOCK NUT, M6-1	
9	31001237	2	KNOB M8-1	
10	31001233	2	SADDLE BOLT M8-1 X 45 MM	
11		1	GROMMET, BLACK RUBBER, 4 HOLE	



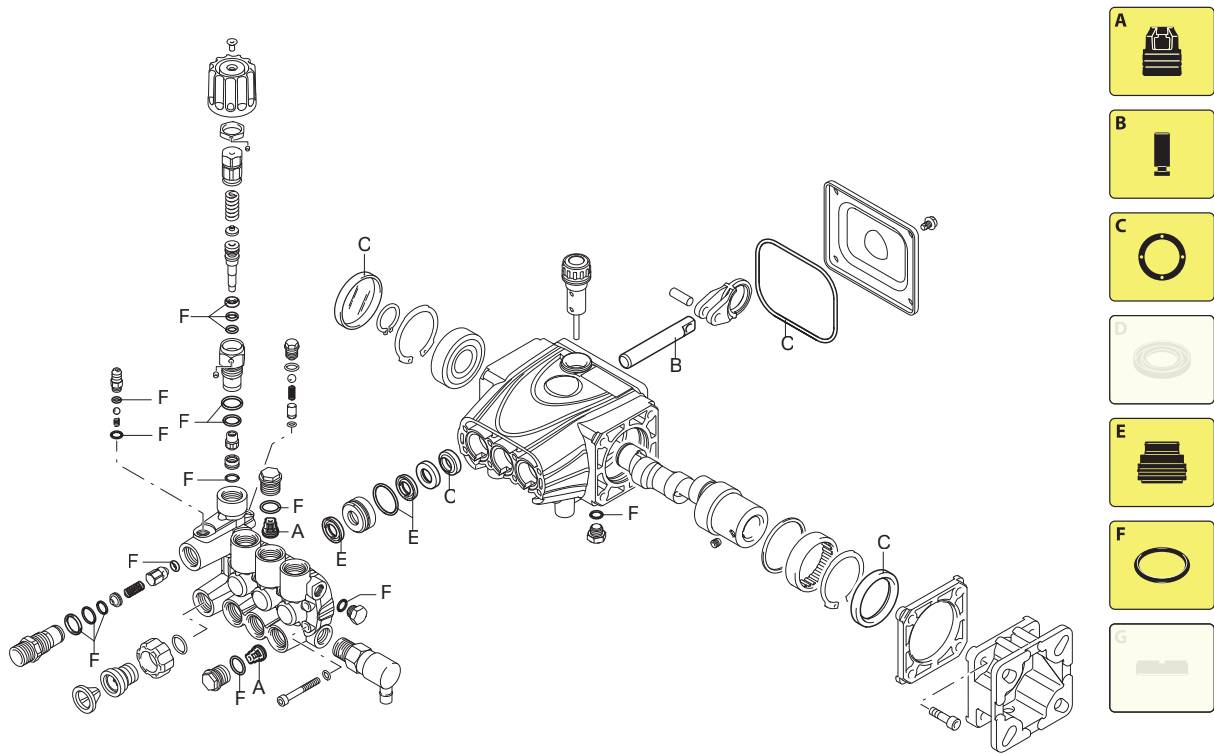


Pos.	Réf article	Qté	Désignation	Notes
	31001327	1		
1		1	Screw M4x8	
2		1	Knob	
3	31000947	1	VIS	
4	31000630	1	RONDELLE D'APPUI DU RESSORT	
5	31000649	1	RESSORT 10.62X6.08X2.8	
6		1	Piston	
7		1	O-ring Ø 6,02x2,62	
8		1	O-ring Ø 6,07x1,78	
9		1	Ring	
10	31000950	1	BAGUE LAITON	
11	31000597	1	JOINT TORIQUE Ø14X1.78	
12	301003043	1	JOINT TORIQUE D.10.82X1,78	
13		1	Piston	
14		1	Seat	
15		2	O-ring Ø 9x1	
16	31000967	1	HOSE TAIL D8	
17		1	O-ring Ø 4,48x1,78	
18		1	Ball	
19		1	Spring	
20	31000644	1	DETERGENT INJECTOR 3/8 INCH G	
21		1	O-ring Ø 12x1	
22		1	O-ring Ø 12,42x1,78	
23	31000641	1	INSERT INJECTEUR	
24	31000643	1	RESSORT 76X125X06	
25	31001320	1	SHUTTER	
26		1	O-ring Ø 4x2,5	
27		8	Screw M5x40	
28		8	Washer	
29		1	Head	
30	31000949	1	ECROU	
31		1	Screw M3x4	
32		1	Screw M4X4	
33	31001097	1	THERMAL RELIEF VALVE 1/4 INCH	
34		6	Plug	
35		6	Complete valve	
36	31000953	6	JOINT TORIQUE D13.5x1.8	
37		6	Water seal Ø 12	
39		3	Bushing Ø 12	
40		3	O-ring 21,95x1,78	
41		3	Bushing	
42		3	O-ring Ø 8x1,1	
43		1	Plug	
44		3	Oil seal	
45		1	Pump body	
46		1	Cover	
47		2	Ring seeger Øi 47	
49		1	Bearing	
50	31001321	1	PLUG	
51		3	Piston	
52		3	Pin	
53		3	Connecting-rod	
54		1	O-ring	
55		4	Screw 5x8	
56		1	Cover	
57		1	Shaft	
58		1	Bearing	
59		1	Ring	
60		1	Ring	

---

Pos.	Réf article	Qté	Désignation	Notes
61	31000604	1	SET SCREW M6	
63	31000945	1	JOINT TORIQUE D14x2	
64	31001272	1	FITTING	
65	31001322	1	FITTING	
66	31001323	1	FILTER	
67	31000627	1	SNAP RING DE20 UNI7435-75	
68		1	Adaptor	
69		1	Flange	
70		4	Screw M6x22	
71		1	Plug	
75		1	O-ring	
76		1	Seat	
77		1	Spring	
78	31001324	1	BALL	
79		1	Plug	
80	31001325	1	O-RING	

---



# Pump kits MC3 - MC4

MC 3C 180/770 PE

2021.01.27

2021.01.28

---

<b>Pos.</b>	<b>Réf article</b>	<b>Qté</b>	<b>Désignation</b>	<b>Notes</b>
A	31000853	1	KIT CLAPETS	
B	31001277	1	KIT PISTONS	
C	31001279	1	KIT JOINTS	
E	31001278	1	JOINTS	
F	31001280	1	KIT JOINTS TORRIQUES	

