

# PARTS LIST

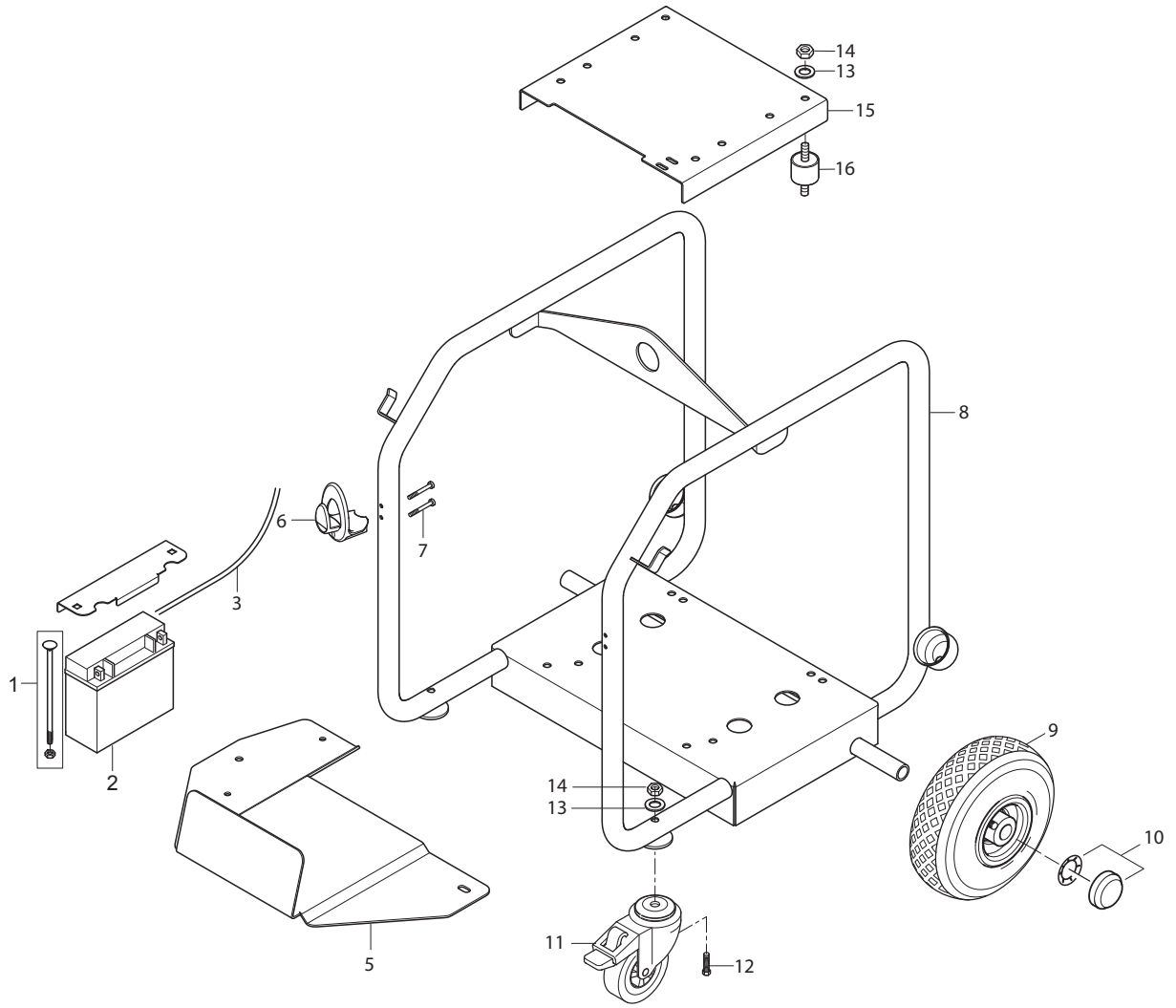


2021.04.20

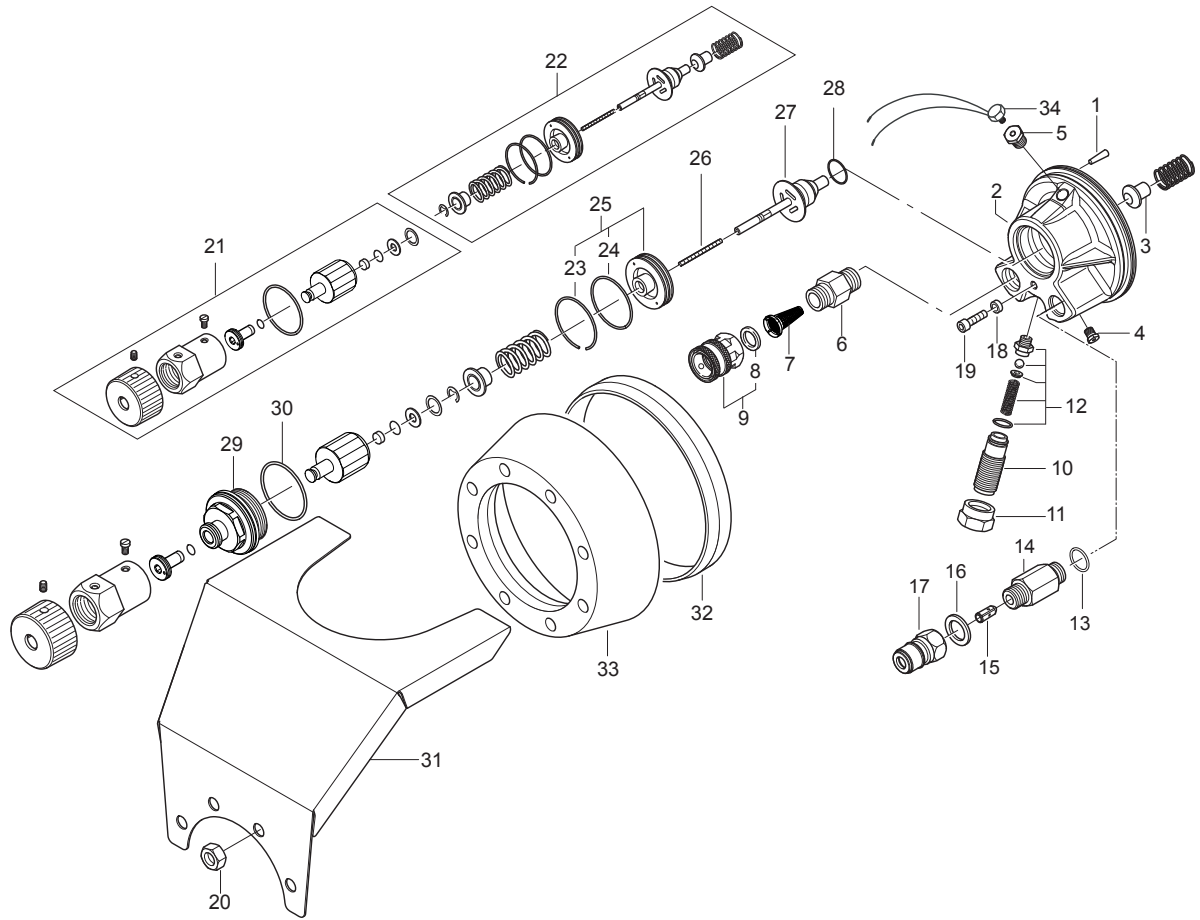
# TABLE OF CONTENTS

---

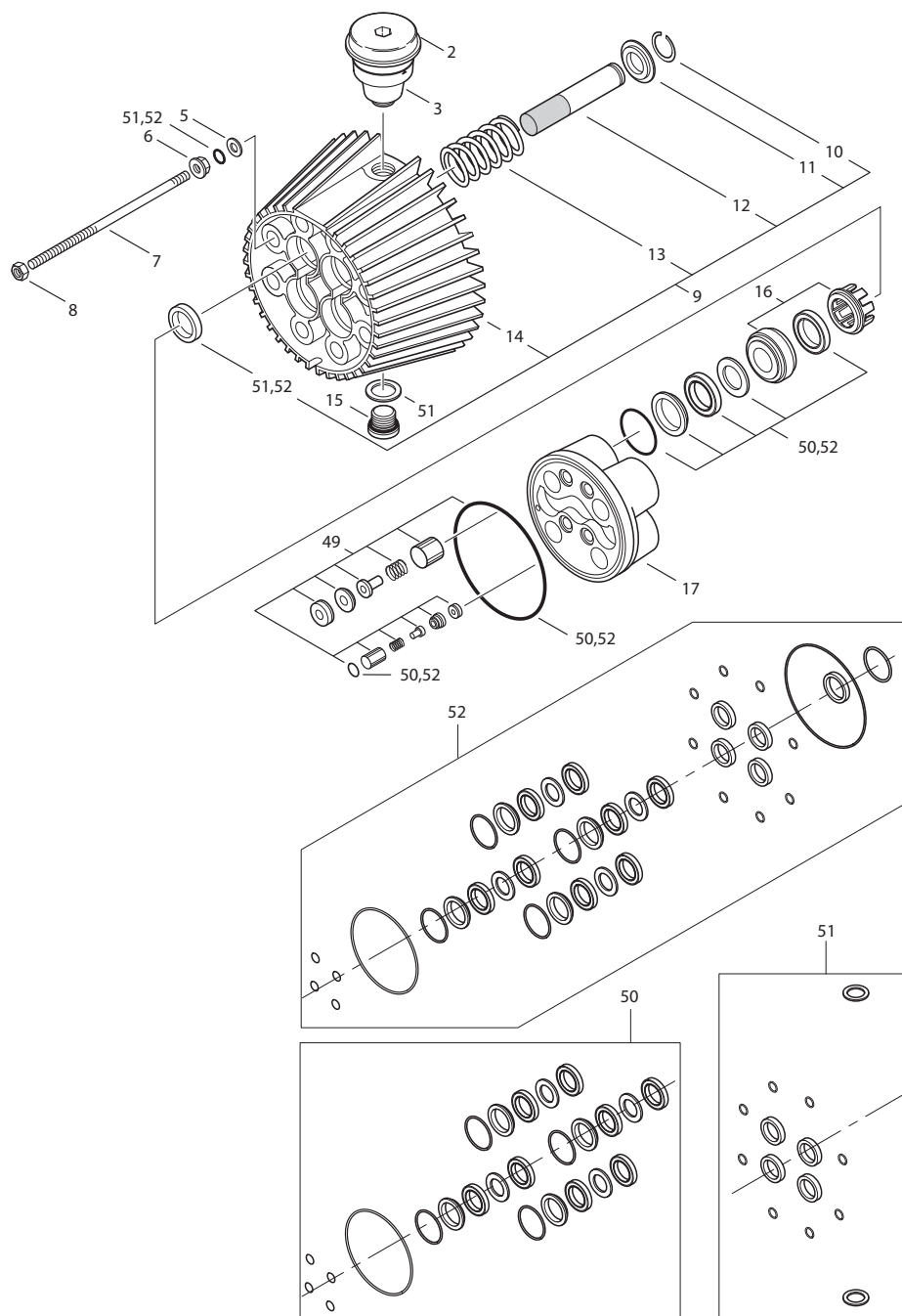
|                               |    |
|-------------------------------|----|
| Chassis .....                 | 1  |
| Water flow regulation .....   | 3  |
| Cylinder block .....          | 5  |
| Motor .....                   | 7  |
| Default accessories .....     | 9  |
| Recommended spare parts ..... | 11 |



| Pos. | Réf article | Qté | Désignation                       | Notes |
|------|-------------|-----|-----------------------------------|-------|
| 1    | 106268069   | 2   | KIT VIS                           |       |
| 2    | 106268017   | 1   | KIT BATTERIE                      |       |
| 3    |             | 1   | Cables for battery 10mm2          |       |
| 5    | 107140971   | 1   | PLATE F. FRONT BUMPER AND BATTERY |       |
| 6    | 301000808   | 2   | SUPPORT                           |       |
| 7    | 909100149   | 4   | VIS K50X50                        |       |
| 8    | 106162773   | 1   | FRAME                             |       |
| 9    | 102013555   | 2   | ROUE                              |       |
| 10   | 2003481     | 2   | ENJOLIVEUR                        |       |
| 11   | 107140972   | 2   | CASTOR WHEEL WITH BRAKE D100      |       |
| 12   | 107140973   | 2   | HEX. SCREW M10X60 ISO 4017 ZN     |       |
| 13   | 1800317     | 4   | RONDELLE                          |       |
| 14   | 1801257     | 2   | ECROU                             |       |
| 15   | 106162770   | 1   | PLATE FOR MOTOR                   |       |
| 16   | 1801240     | 4   | AMORTISSEUR DE VIBRATIONS         |       |



| Pos. | Réf article | Qté | Désignation                    | Notes |
|------|-------------|-----|--------------------------------|-------|
| 1    | 6100996     | 1   | GOUPILLE                       |       |
| 2    | 6101042     | 1   | CORPS BY-PASS                  |       |
| 3    | 6100915     | 1   | CONNEXION DE VANNE ANTI RETOUR |       |
| 4    | 1602333     | 1   | BOUCHON 1/8 INCH               |       |
| 5    | 106268066   | 1   | KIT PRISE                      |       |
| 6    | 107120600   | 1   | GAINE FILTRE EAU               |       |
| 7    | 6100941     | 1   | FILTRE                         |       |
| 8    | 3000320     | 1   | JOINT TORIQUE 20X3             |       |
| 9    | 1602945     | 1   | RACCORD RAPIDE NITO 3/4"F      |       |
| 10   | 6100940     | 1   | VIS D'AJUSTAGE                 |       |
| 11   | 6100928     | 1   | ÉCROU                          |       |
| 12   | 1118512     | 1   | SOUPAPE DE SÉCURITÉ            |       |
| 13   | 3000064     | 1   | JOINT TORIQUE 14.1X1.6         |       |
| 14   | 6101018     | 1   | RACCORD RAPIDE                 |       |
| 15   | 6101038     | 1   | PISTON                         |       |
| 16   | 1801075     | 1   | ANNEAU DE JOINT                |       |
| 17   | 1603101     | 1   | COUPLEUR RAPIDE M 3/8 INOX     |       |
| 18   | 6100985     | 1   | RONDELLE ARRET                 |       |
| 19   | 3913        | 1   | VIS M 6 X 12                   |       |
| 20   | 1800465     | 8   | ECROU M10 DIN 934              |       |
| 21   | 1118538     | 1   | KIT BOUTON BY-PASS             |       |
| 22   | 1118520     | 1   | KIT COMPLET BY PASS            |       |
| 23   | 6101061     | 1   | ANNEAU PISTON                  |       |
| 24   | 3001716     | 1   | JOINT TORIQUE 35.1X1.6         |       |
| 25   | 6228554     | 1   | PISTON COMPLET                 |       |
| 26   | 2600286     | 1   | RESSORT                        |       |
| 27   | 6101784     | 1   | PISTON COMPLET                 |       |
| 28   | 3000460     | 1   | JOINT TORIQUE 11X2             |       |
| 29   | 6100984     | 1   | MANCHON TIGE DE REGLAGE        |       |
| 30   | 3001179     | 1   | JOINT TORIQUE 39.6X2.4         |       |
| 31   | 107140970   | 1   | COVER F. OIL CONTAINER WELDED  |       |
| 32   | 6301392     | 1   | ANNEAU ENTRETOISE              |       |
| 33   | 6100602     | 1   | FLAQUE AVANT POMPE             |       |
| 34   | 106268033   | 1   | KIT SONDE                      |       |

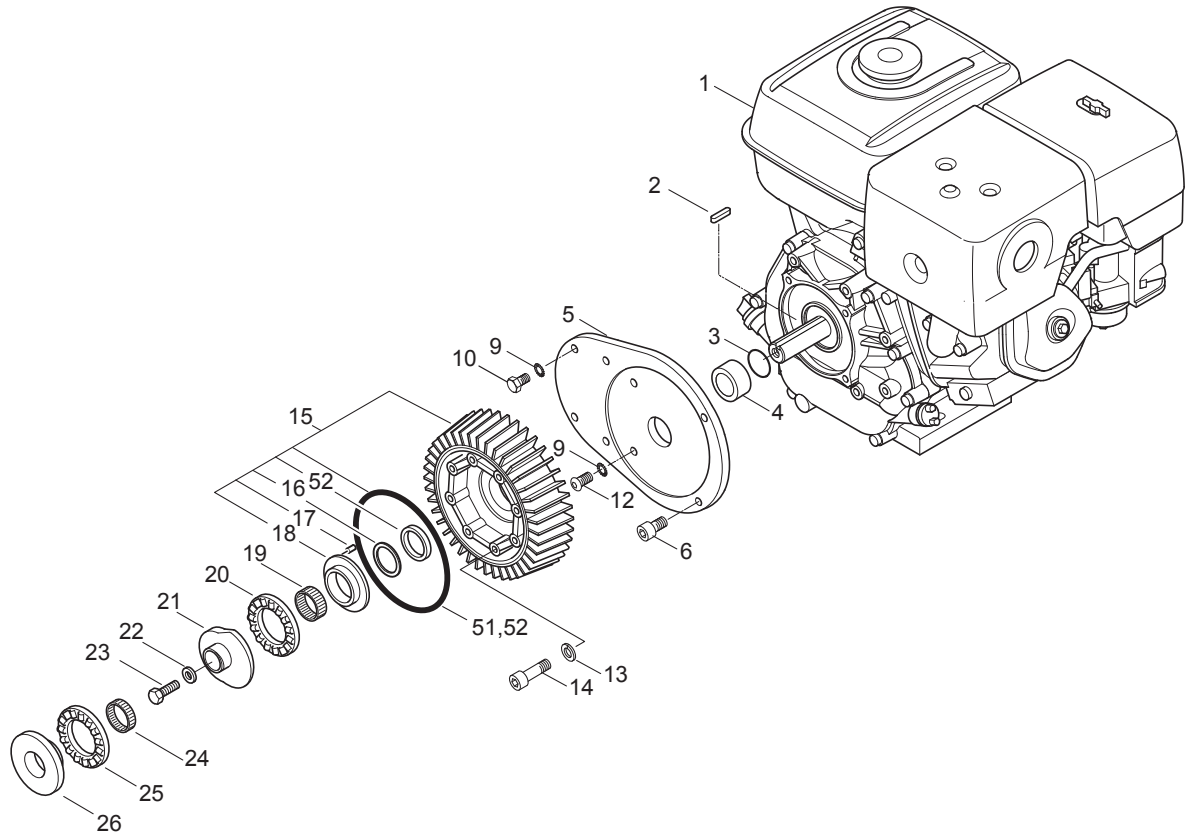


| Pos. | Réf article | Qté | Désignation                | Notes |
|------|-------------|-----|----------------------------|-------|
|      | 31001229    | 1   | OIL ISO 150 ALPHASYN-T 20L |       |
| -    | 5218433     | 1   | HUILE ALPHASYN T150        |       |
| 2    | 301000615   | 1   | COUVERCLE                  |       |
| 3    | 301000614   | 1   | RÉSERVOIR D'HUILE          |       |
| 5    | 6100718     | 8   | RONDELLE D16X10X1          |       |
| 6    | 6100719     | 8   | ECROU                      |       |
| 7    | 6301368     | 8   | GOUJON                     |       |
| 8    | 1800465     | 8   | ECROU M10 DIN 934          |       |
| 9    | 6300071     | 1   | CARTER CYLINDRE. COMPLET   |       |
| 10   | 1802529     | 4   | CIRCLIP D24                |       |
| 11   | 6100666     | 4   | BAGUE RESSORT PISTON       |       |
| 12   | 6301166     | 4   | PISTON CERAMIQUE           |       |
| 13   | 102602517   | 4   | RESSORT PISTON             |       |
| 14   | 6100610     | 1   | CARTER CYLINDRE            |       |
| 15   | 6150400     | 1   | BOUCHON DE VIDANGE         |       |
| 16   | 107120700   | 4   | KIT ANNEAU ARRET (1 pc)    |       |
| 17   | 107120701   | 1   | CORPS DE CLAPET            |       |
| 49   | 1119310     | 1   | KIT CLAPET COMPLET         |       |
| 50   | 1119571     | 1   | KIT JOINT D'EAU REDUIT     | [1]   |
| 51   | 1119820     | 1   | KIT JOINT D'HUILE          | [1]   |
| 52   | 1119570     | 1   | KIT JOINT EAU & HUILE      |       |

## Part Notes:

- [1] - TSB-PPW-2016-011 Rep kit 1119571 and 1119570 potential have wrong O-ring in kit





| Pos. | Réf article | Qté | Désignation                | Notes |
|------|-------------|-----|----------------------------|-------|
|      | 31001229    | 1   | OIL ISO 150 ALPHASYN-T 20L |       |
| -    | 5218433     | 1   | HUILE ALPHASYN T150        |       |
| 1    | 101118079   | 1   | MOTEUR HONDA GX390         |       |
| 2    | 6160608     | 1   | CLAVETTE                   |       |
| 3    | 3001559     | 1   | JOINT TORIQUE 23.47X2.62   |       |
| 4    | 6160607     | 1   | JOINT TORIQUE              |       |
| 5    | 6162601     | 1   | BLOC DE FIXATION           |       |
| 6    | 1813864     | 1   | VIS M8X35                  |       |
| 9    | 1810274     | 1   | RONDELLE M8                |       |
| 10   | 1800150     | 1   | VIS M8X30                  |       |
| 12   | 1803949     | 1   | VIS M8X20                  |       |
| 13   | 1801182     | 2   | RONDELLE RESSORT           |       |
| 14   | 1803337     | 2   | VIS M8X25                  |       |
| 15   | 6162400     | 1   | FLASQUE CARTER AV          |       |
| 16   | 6100995     | 1   | RONDELLE                   |       |
| 17   | 6100996     | 1   | GOUPILLE                   |       |
| 18   | 107120703   | 1   | SUPPORT DE ROULEMENT       |       |
| 19   | 3200656     | 1   | ROULEMENT A AIGUILLES      |       |
| 20   | 3200615     | 1   | ROULEMENT A ROULEAUX       |       |
| 21   | 107120718   | 1   | DISQUE INCLINE 15°         | [1]   |
| 22   | 6162603     | 1   | RONDELLE                   |       |
| 23   | 2753        | 1   | VIS M8X20 ISO 4017 ZN      |       |
| 24   | 3200664     | 1   | ROULEMENT A AIGUILLES      |       |
| 25   | 3200615     | 1   | ROULEMENT A ROULEAUX       |       |
| 26   | 107120704   | 1   | DISQUE D'APPUI PISTONS     | [1]   |
| 51   | 1119820     | 1   | KIT JOINT D'HUILE          |       |
| 52   | 1119570     | 1   | KIT JOINT EAU & HUILE      |       |

## Part Notes:

[1] - TSB-PPW-2019-007 C3 NA6 Wobble Disc and Bearing Track surface hardening change



| Pos. | Réf article | Qté | Désignation                             | Notes |
|------|-------------|-----|---|-------|
|      | 106404529   | 1   | RACCORD GARDENA MALE 3/4"               |       |
| 1    | 106403122   | 1   | PISTOLET ERGO 2000 STANDARD             | [1]   |
| 2    | 101405770   | 1   | FLEXIBLE HP 10M DN8 2X3/8M+ERGO FEMELLE | [2]   |
| 2    | 301002275   | 1   | FLEXIBLE HP 10M DN6 2X3/8M+ERGO FEMELLE | [2]   |
| 3    | 106402282   | 1   | LANCE FLEXOPOWER PLUS COURBEE L96       | [3]   |
| 3    | 106403011   | 1   | LANCE TORNADO PLUS COURBEE L100         | [4]   |
| 4    | 101119736   | 1   | BUSE TORNADO PLUS 0350                  |       |
| 4    | 101119737   | 1   | BUSE TORNADO PLUS 0370                  |       |
| 4    | 101119738   | 1   | BUSE TORNADO PLUS 0400                  |       |
| 4    | 101119741   | 1   | BUSE TORNADO PLUS 0500                  |       |
| 5    | 106403175   | 1   | KIT ENROULEUR POUR FLEXIBLE HP POSEIDON |       |

## Part Notes:

- [1] - ERGO 2000 Spray handle
- [2] - HOSES Overview
- [3] - FLEXOPOWER PLUS lance
- [4] - TORNADO PLUS lance



| Pos. | Réf article | Qté | Désignation            | Notes |
|------|-------------|-----|------------------------|-------|
| A    | 1118520     | 1   | KIT COMPLET BY PASS    |       |
| A    | 1119310     | 1   | KIT CLAPET COMPLET     |       |
| A    | 1119570     | 1   | KIT JOINT EAU & HUILE  |       |
| A    | 1119571     | 1   | KIT JOINT D'EAU REDUIT |       |
| A    | 1119820     | 1   | KIT JOINT D'HUILE      |       |
| A    | 6100941     | 1   | FILTRE                 |       |
| A    | 6101784     | 1   | PISTON COMPLET         |       |
| A    | 6228554     | 1   | PISTON COMPLET         |       |
| B    | 1118512     | 1   | SOUPAPE DE SÉCURITÉ    |       |
| B    | 1118538     | 1   | KIT BOUTON BY-PASS     |       |
| C    | 102013563   | 1   | ROUE                   |       |
| C    | 106268017   | 1   | KIT BATTERIE           |       |
| C    | 107120701   | 1   | CORPS DE CLAPET        |       |
| C    | 107120704   | 1   | DISQUE D'APPUI PISTONS | [1]   |
| C    | 107120718   | 1   | DISQUE INCLINE 15°     | [1]   |
| C    | 107306036   | 1   | CAPTEUR DE TEMPERATURE |       |
| C    | 2003481     | 1   | ENJOLIVEUR             |       |
| C    | 2753        | 1   | VIS M8X20 ISO 4017 ZN  |       |
| C    | 3200615     | 1   | ROULEMENT A ROULEAUX   |       |
| C    | 3200656     | 1   | ROULEMENT A AIGUILLES  |       |
| C    | 3200664     | 1   | ROULEMENT A AIGUILLES  |       |
| C    | 6100602     | 1   | FLAQUE AVANT POMPE     |       |
| C    | 6162400     | 1   | FLASQUE CARTER AV      |       |
| C    | 6162603     | 1   | RONDELLE               |       |
| C    | 6301166     | 1   | PISTON CERAMIQUE       |       |

Part Notes:

- [1] - TSB-PPW-2019-007 C3 NA6 Wobble Disc and Bearing Track surface hardening change

