

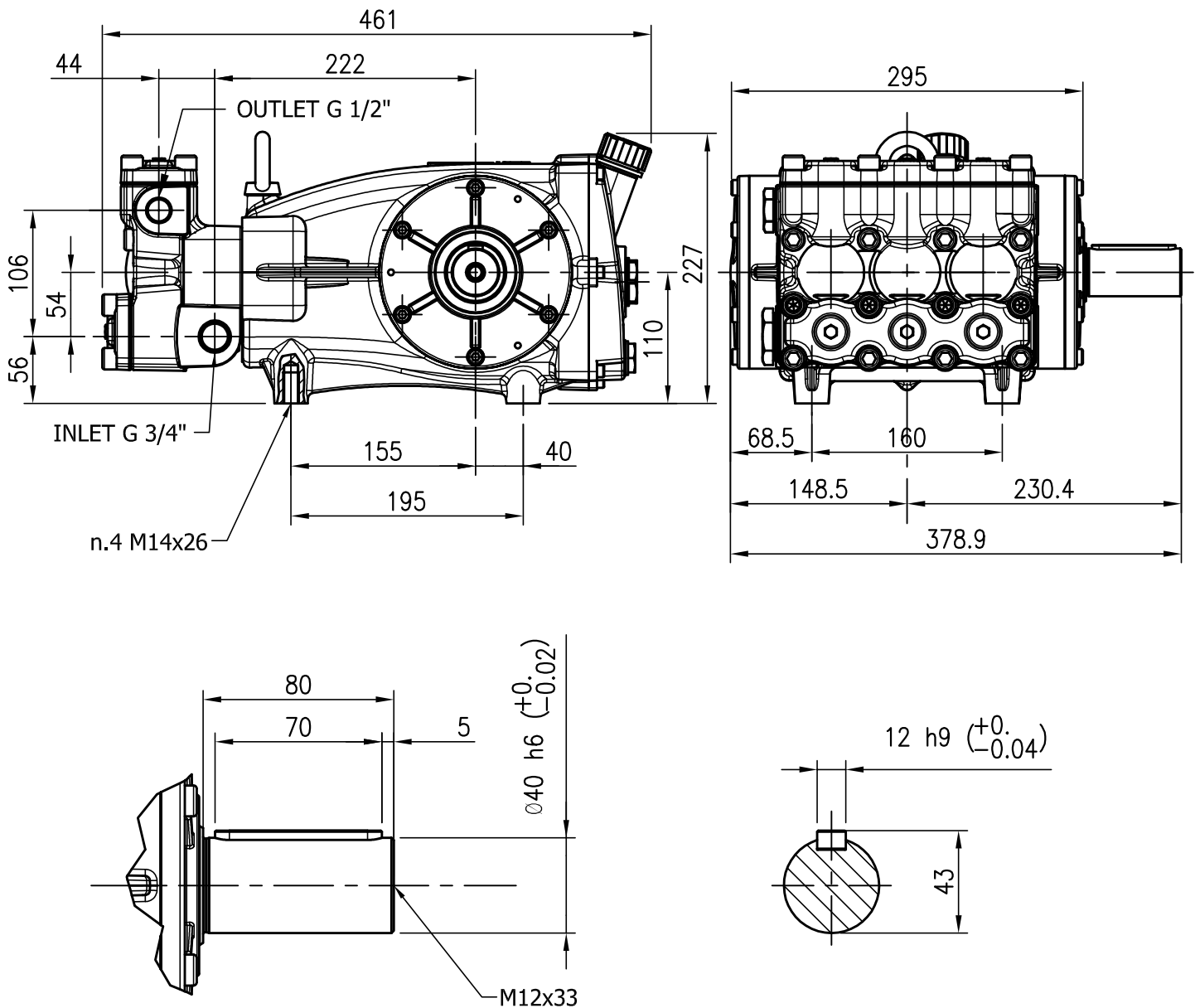
HHP25S
HHP38F

HAWK
Pompe HHP serie 2010
HHP pumps 2010 series

Pump Pompe Pumpen Pompa	Pressure Pression Druck Pressione		Volume Débit Leistung Portata		RPM tours/min u.p.m. giri/min	Required Puissance Leistung Potenza		Inlet port Entrée Eingang Aspirazione	Outlet Sortie Ausgang Mandata	Weight Kg Poids Kg Gewicht Kg Peso Kg
	bar	PSI	l/min	GPM		HP	kW			
HHP25S	500	7250	25	6.6	1000	32.6	24.0	G 3/4	G 1/2	51
HHP38F	350	5075	38	10.0	1450	34.1	25.1	G 3/4	G 1/2	51

Dimensioni d'ingombro

Overall dimensions



Lubrificazione: Olio SAE 10W40
Capacità 3,5 Litri

Lubrication: SAE 10W40 Oil
Capacity 3,5 Litres

PARTS LIST


HHP pumps 2010 series



Item	Part Number	Description	Q.ty by Pump	HHP25SR/L	HHP38FR/L
1	0202.94	Carter	1		
*2	0001.15	Plunger oil seal	3		
*3	0601.16	"O" Ring Ø2,62x56,82	3		
*4	1201.52	Pressure ring Ø20 mm	3		
*5	0002.52	"U" seal, Ø20x28 mm	3	◆	◆
*6	0300.70	Intermed.ring Ø20 mm	3		
*7	0002.66	"U" seal, Ø20x30 mm 350-500 BAR	3		
*8	0603.11	Copper washer	1		
*9	1601.58	Inox plug G3/4	1		
*10	1602.33	Manifold housing	1	◆	
	1602.36	Manifold housing	1		◆
*11	0601.66	"O" Ring Ø2,62x25,07-3100	12		◆
	0601.97	"O" Ring Ø2,62x22,22	12	◆	
*12	3604.02	Valve assembly	6		◆
	3604.03	Valve assembly	6	◆	
*13	1601.63	Valve plug	6		◆
	1601.64	Valve plug	6	◆	
*14	0009.41	Back ring	6		◆
	0009.42	Back ring	6	◆	
*15	0203.54	Valves cover	2		
*16	1801.07	Valves cover screw	12		
*17	1802.01	Valve plug screw	6		
18	1801.09	Manifold stud bolt	4	◆	◆
19	1801.10	Manifold stud bolt	4		
*20	0603.07	Copper washer	1		
*21	1601.54	Inox plug G1/2	1		
22	1503.32	Valve seat	6		◆
	1503.33	Valve seat	6	◆	
23	1202.15	Valve plate	6		
24	0900.32	Valve spring	6		
25	0604.13	Valve cage	6		
26	1801.06	Bearing housing screw	12		
27	0500.98	Closed bearing housing	1		
28	0601.12	"O" Ring Ø2,62x120,32	2		
29	0200.12	Roller bearing	2		
30	0006.21	Single - endend crankshaft	1		
31	0206.07	Crankshaft key	1		
32	1800.12	Eyebolt	1		
33	0001.14	Crankshaft seal	1		
34	0301.12	Shim	1		
35	0500.97	Bearing housing	1	◆	◆
*36	1800.11	Plunger bolt	3		
*37	0601.15	"O" Ring Ø1,78x11,11	3		
*38	1200.27	Plunger 20 mm	3		
*39	1400.55	Copper spacer	3		
40	0003.22	Plunger rod	3		
41	1501.05	Snap ring	6		
42	1502.05	Connecting rod pin	3		
43	0100.09	Connecting rod	3		
44	1403.05	Spring washer	6		
45	1800.13	Connecting rod screw	6		
46	0601.11	"O" ring Ø 2,62x209,23	1		

PARTS LIST

HHP pumps 2010 series

Item	Part Number	Description	Q.ty by Pump	HHP25SR/L	HHP38FR/L
47	0203.55	Cranckcase cover	1		
48	0601.19	"O" Ring Ø2,62x17,13	1		
49	1601.20	Brass plug G1/2	1	◆	◆
50	0700.06	Sight glass G1	1		
51	1600.13	Oil dip stick G3/4	1		
52	1801.26	Cover screw	8		

  Part available in kit only

  Part available in kit also

SPARE PARTS KIT

Included Positions	Part Number & Description	Q.ty by Pump	HHP25SR/L	HHP38FR/L
3- 5- 7	2600.70 Plunger Seals 20 mm	1		
3- 4- 5- 6- 7	2600.71 Complete Seals Packing 20 mm	3	◆	◆
36- 37- 38- 39	2600.72 Plunger 20 mm	3		
11- 12- 14	2600.73 Complete valve	6		◆
11- 12- 14	2600.86 Complete valve	6	◆	
2	2600.64 Plunger Oil Seals	1	◆	◆
3- 4- 5- 6- 7- 8 9- 10- 11- 12 13- 14- 15- 16 17- 20- 21	2600.74 Complete Manifold	1		◆
3- 4- 5- 6- 7- 8 9- 10- 11- 12 13- 14- 15- 16 17- 20- 21	2600.87 Complete Manifold	1	◆	

Pos.	Codice	Descrizione	Q.tà per Pompa	HHP25SR/L	HHP38FR/L
1	0202.94	Carter	1		
*2	0001.15	Anello radiale	3		
*3	0601.16	"O" Ring Ø2,62x56,82	3		
*4	1201.52	Pressore Ø20 mm	3		
*5	0002.52	Anello tenuta "U" Ø20x28 mm	3	◆	◆
*6	0300.70	Diffusore Interm. Ø20 mm	3		
*7	0002.66	Anello tenuta "U" Ø20x30 mm 350-500 BAR	3		
*8	0603.11	Guarnizione rame G3/4 Ø 26,7/32,5x1,5	1		
*9	1601.58	Tappo G 3/4 Inox	1		
*10	1602.33	Testata	1	◆	
	1602.36	Testata	1		◆
*11	0601.66	"O" Ring Ø2,62x25,07-3100	12		◆
	0601.97	"O" Ring Ø2,62x22,22	12	◆	
*12	3604.02	Valvola premontata	6		◆
	3604.03	Valvola premontata	6	◆	
*13	1601.63	Tappo valvola	6		◆
	1601.64	Tappo valvola	6	◆	
*14	0009.41	Anello antiestrusione	6		◆
	0009.42	Anello antiestrusione	6	◆	
*15	0203.54	Coperchio VAM	2		
*16	1801.07	Vite TCEI M12x30 UNI 5931	12		
*17	1802.01	Vite TE M6x16 UNI 5739	6		
18	1801.09	Vite TCEI M12x140 UNI 5931	4	◆	◆
19	1801.10	Vite TCEI M12x120 UNI 5931	4		
*20	0603.07	Guarnizione rame G1/2 Ø 21,5/27x1,5	1		
*21	1601.54	Tappo G1/2 inox	1		
22	1503.32	Sede valvola	6		◆
	1503.33	Sede valvola	6	◆	
23	1202.15	Piattelo valvola	6		
24	0900.32	Molla valvola	6		
25	0604.13	Gabbia valvola	6		
26	1801.06	Vite TCEI M8x25 UNI 5931	12		
27	0500.98	Flangia chiusa	1		
28	0601.12	"O" Ring Ø2,62x120,32 NBR	2		
29	0200.12	Cuscinetto 32310 rulli conici	2		
30	0006.21	Albero singola P.d.F.	1		
31	0206.07	Chiavetta	1		
32	1800.12	Golfare M12	1		
33	0001.14	Anello radiale	1		
34	0301.12	Distanziale	1		
35	0500.97	Flangia aperta	1	◆	◆
*36	1800.11	Vite pistone	3		
*37	0601.15	"O" Ring Ø1,78x11,11	3		
*38	1200.27	Pistone Ø20	3		
*39	1400.55	Rosetta rame pistone	3		
40	0003.22	Asta pattino	3		
41	1501.05	Anello Ø22	6		
42	1502.05	Spinotto	3		
43	0100.09	Biella	3		
44	1403.05	Rosetta elastica Ø8	6		
45	1800.13	Vite biella	6		
46	0601.11	"O" ring Ø 2,62x209,23	1		

Pos.	Codice	Descrizione	Q.tà per Pompa	HHP25SR/L	HHP38FR/L
47	0203.55	Coperchio carter	1		
48	0601.19	"O" Ring Ø2,62x17,13	1		
49	1601.20	Tappo G1/2 ottone	1		
50	0700.06	Spia livello olio G1	1	◆	◆
51	1600.13	Tappo sfiato olio G3/4	1		
52	1801.26	Vite TCEI M6x22 UNI 5931	8		

  Particol. disponibile solo in kit

  Particol. disponibile anche in kit

KIT RICAMBI

Posizioni incluse	Codice e Descrizione	Q.tà per Pompa	HHP25SR/L	HHP38FR/L
3- 5- 7	2600.70 Guarnizioni pistone Ø20	1		
3- 4- 5- 6- 7	2600.71 Pacco completo guarnizioni pistone Ø20	3	◆	◆
36- 37- 38- 39	2600.72 Pistone Ø20	3		
11- 12- 14	2600.73 Valvola completa	6		◆
11- 12- 14	2600.86 Valvola completa	6	◆	
2	2600.64 Anelli tenuta olio asta	1	◆	◆
3- 4- 5- 6- 7- 8 9- 10- 11- 12 13- 14- 15- 16 17- 20- 21	2600.74 Testata completa	1		◆
3- 4- 5- 6- 7- 8 9- 10- 11- 12 13- 14- 15- 16 17- 20- 21	2600.87 Testata completa	1	◆	