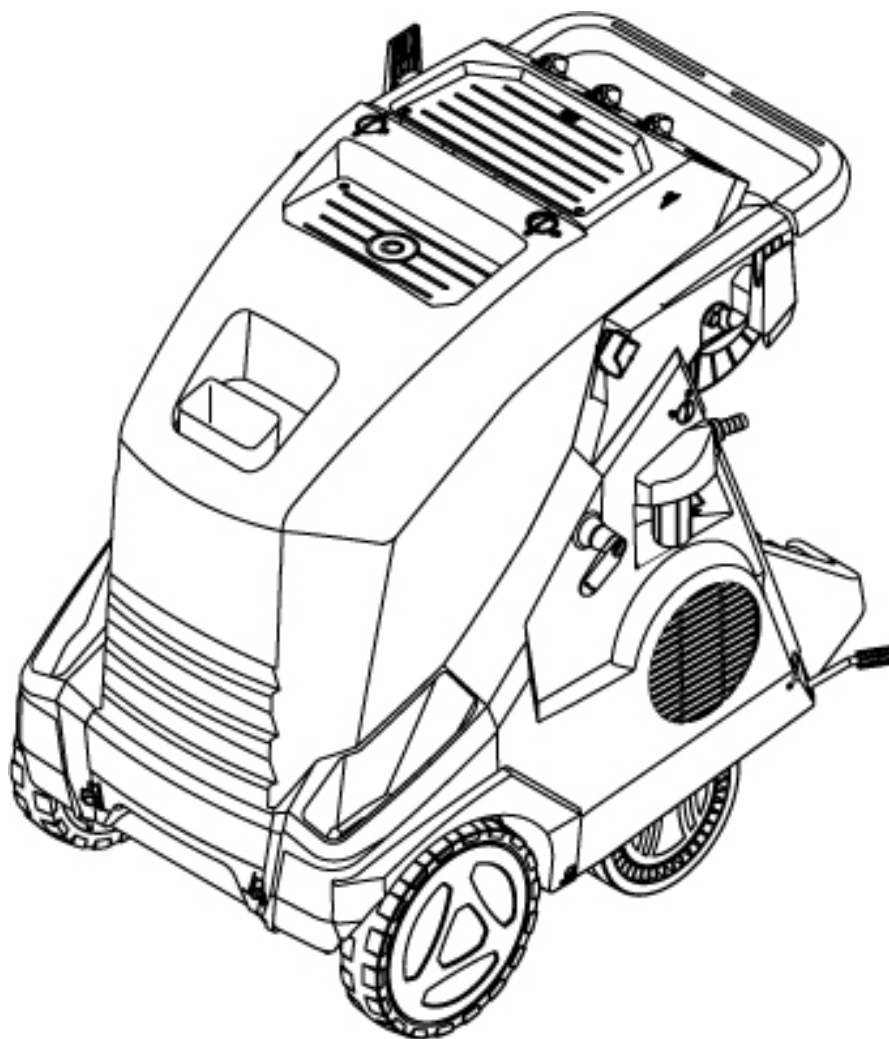


# PARTS LIST

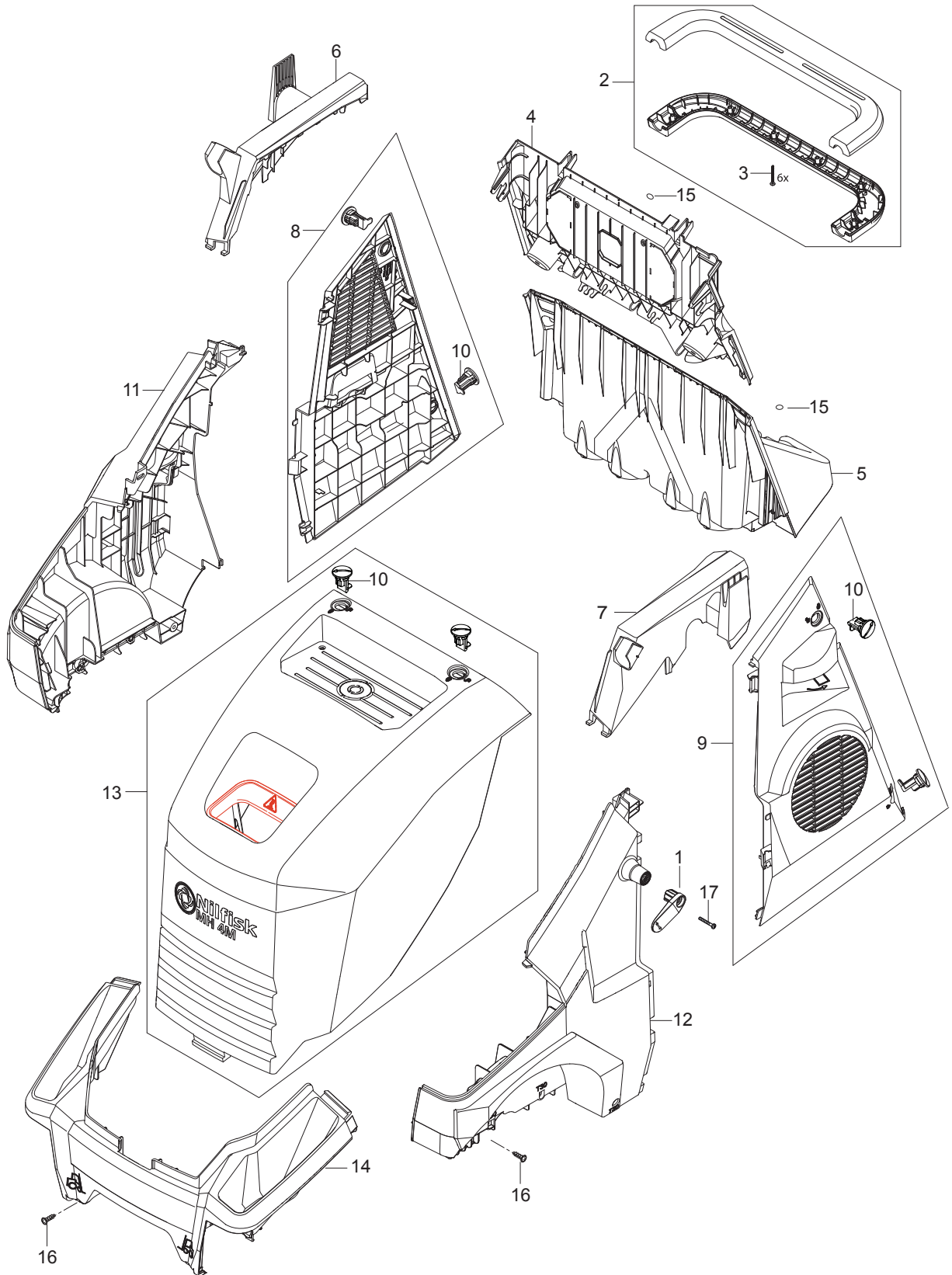


2021.04.09

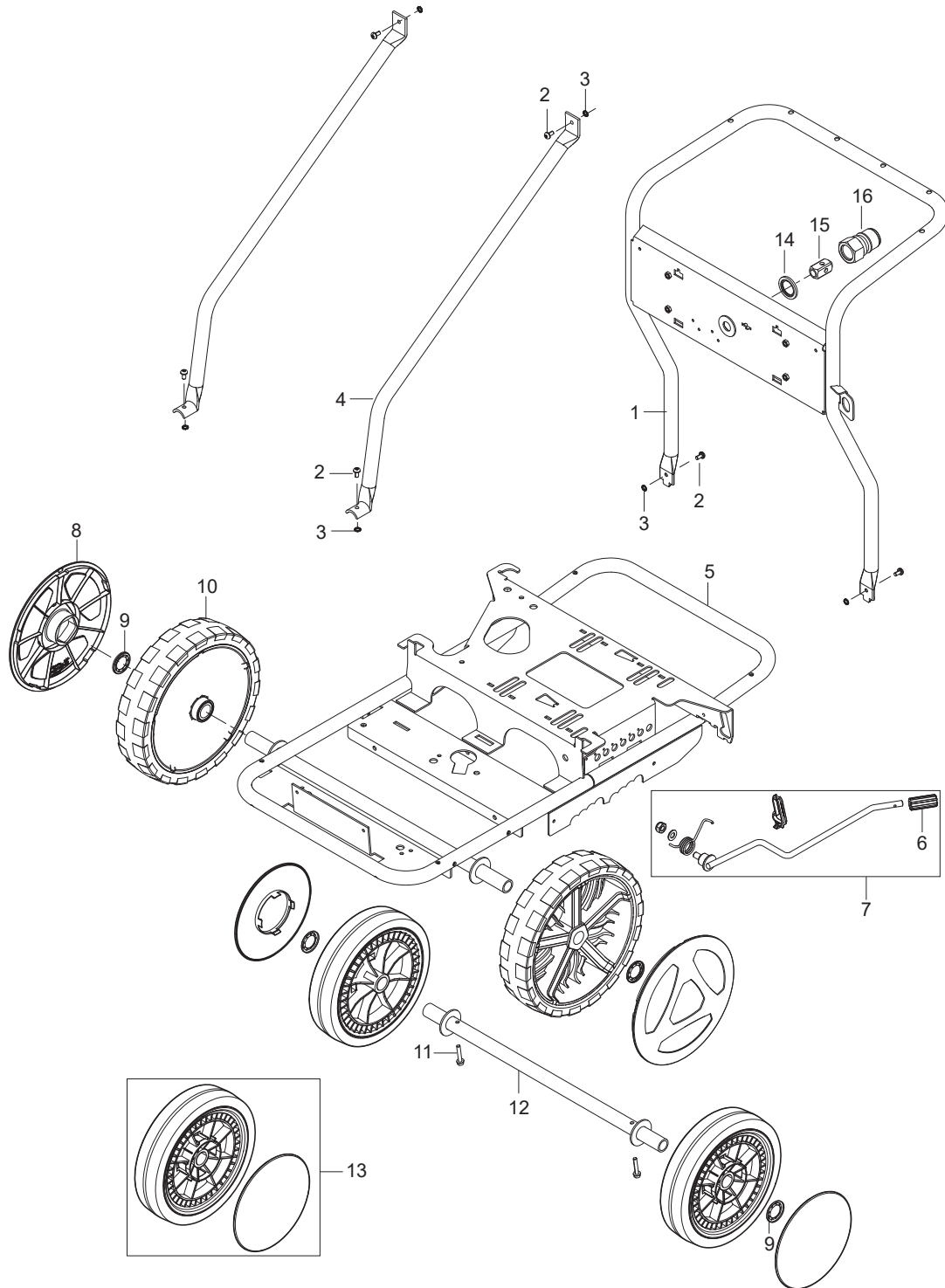
# TABLE OF CONTENTS

---

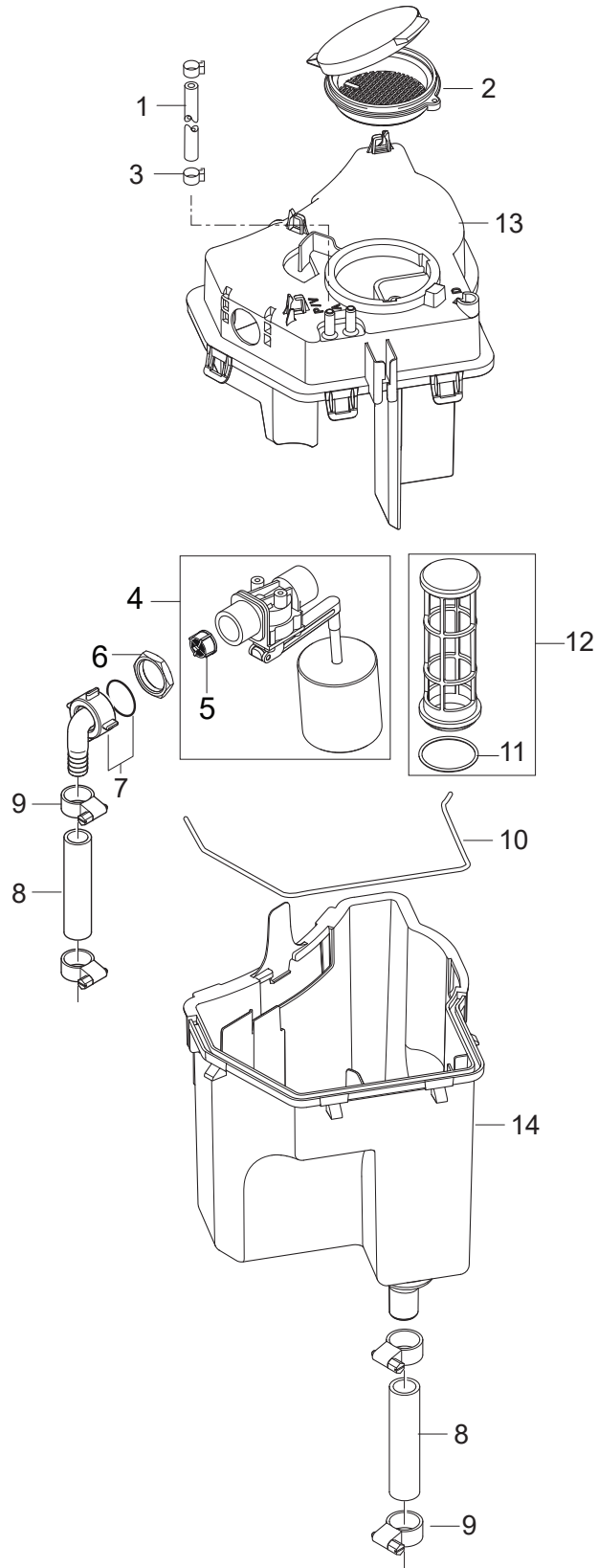
|   |    |
|---|----|
| Cabinet.....  | 1  |
| Chassis.....  | 3  |
| Water break tank.....                               | 5  |
| Fuel tank.....                                      | 7  |
| Water inlet_FA.....                                 | 9  |
| 1x detergent.....                                   | 11 |
| Anti-scale.....                                     | 13 |
| Electric box.....                                   | 15 |
| Cables and wires.....                               | 18 |
| Electric box for motor 1~,3~ STAR and 3~ DELTA..... | 20 |
| Motor pump.....                                     | 22 |
| Cylinder block.....                                 | 25 |
| Water flow regulation_FA.....                       | 28 |
| Flow control FA.....                                | 30 |
| Fan.....  | 32 |
| Burner unit.....                                    | 34 |
| Boiler b2.....                                      | 36 |
| Recommended spare parts.....                        | 38 |



| Pos. | Réf article | Qté | Désignation                             | Notes |
|------|-------------|-----|---|-------|
| 1    | 107143025   | 1   | ATTACHE CABLE BLEU                      |       |
| 2    | 101118192   | 1   | KIT POIGNEE                             |       |
| 3    | 909100148   | 6   | VIS K40X30 WN 1452                      |       |
| 4    | 107143013   | 1   | CARTER ARRIERE                          |       |
| 5    | 107143014   | 1   | REAR END BOTTOM                         |       |
| 6    | 107143021   | 1   | CARTER DROIT                            |       |
| 7    | 107143022   | 1   | CARTER POIGNEE GAUCHE                   |       |
| 8    | 107143023   | 1   | PORTE DROITE AVEC FERMETURE MPU NA5-NA6 |       |
| 9    | 107143019   | 1   | CARTER GAUCHE AVEC FERMETURE            |       |
| 10   | 301001261   | 6   | VERROU                                  |       |
| 11   | 107143012   | 1   | CARTER DROIT COURT MH                   |       |
| 12   | 107143011   | 1   | CARTER LATERALE GAUCHE                  |       |
| 13   | 101118194   | 1   | KIT CAPOT MH 4M NILFISK                 |       |
| 14   | 107143015   | 1   | PARE CHOC AVANT                         |       |
| 15   | 107143009   | 6   | FICHE D16.5 POUR T30 PE                 |       |
| 16   | 107143018   | 12  | VIS M6X16                               |       |
| 17   | 107141838   | 7   | VIS K50X18 WN1451 NOIR TORX20           |       |

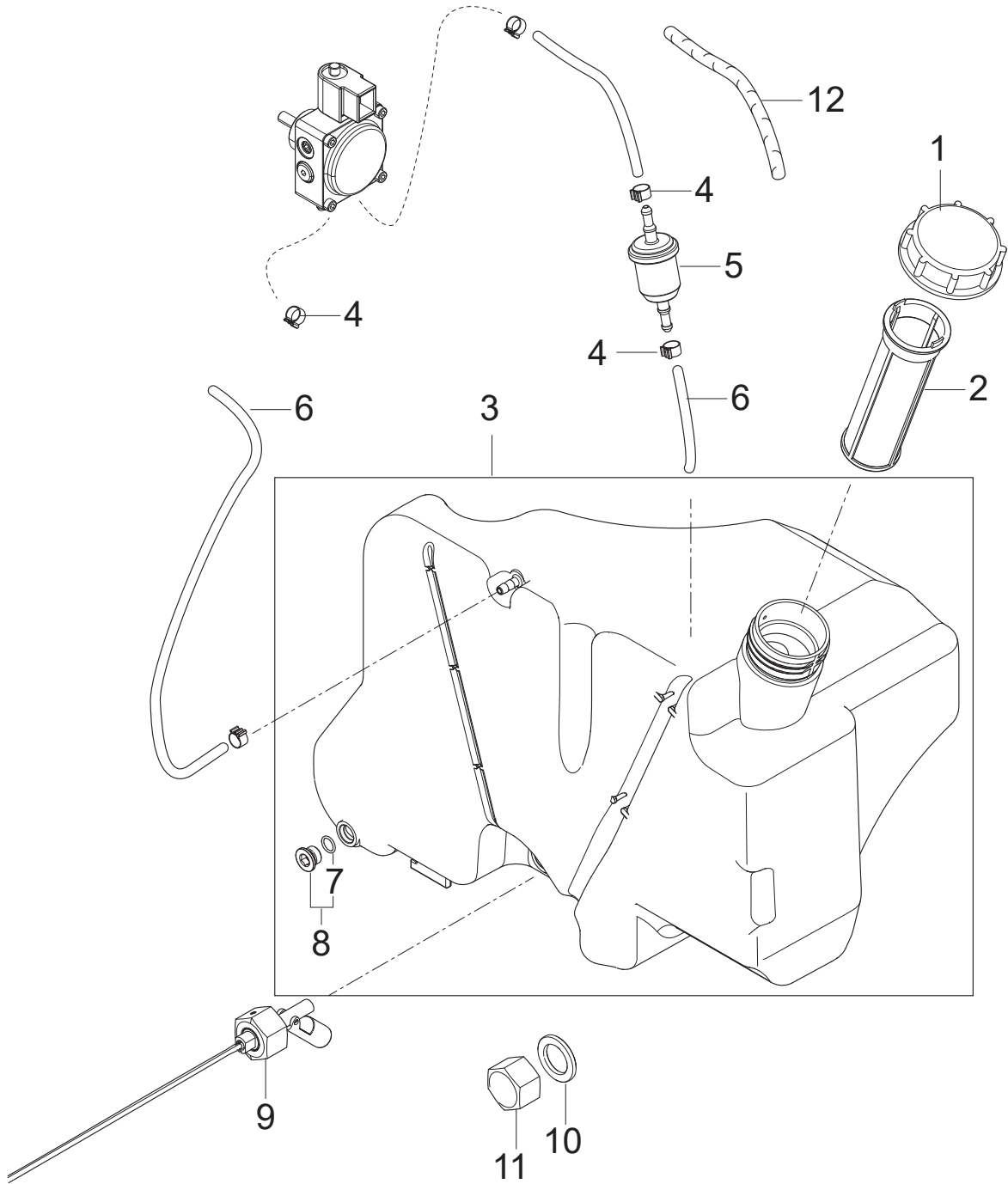


| Pos. | Réf article | Qté | Désignation                         | Notes |
|------|-------------|-----|-------------------------------------|-------|
| 1    | 31001031    | 1   | FRAME HANDLE                        |       |
| 2    | 107143018   | 6   | VIS M6X16                           |       |
| 3    | 107143146   | 6   | WASHER SERRATED M6                  |       |
| 4    | 31001032    | 2   | BARRE DE RENFORT MH CHASSIS COURT   |       |
| 5    | 31001033    | 1   | CHASSIS COURT MH                    |       |
| 6    | 107143028   | 1   | BRAKE KNOB                          |       |
| 7    | 101118180   | 1   | KIT PEDALE DE FREIN                 |       |
| 8    | 107145780   | 2   | ENJOLIVEUR DE ROUE Ø300X65 (STARCO) |       |
| 9    | 46363       | 4   | FIXATION RAPIDE                     |       |
| 10   | 107145637   | 2   | ROUE Ø300X65 (STARCO)               |       |
| 11   | 107143027   | 2   | SCREW M6X35 SW10 DIN7500D FZB       |       |
| 12   | 31001034    | 1   | ESSIEU DE ROUE ARRIERE              |       |
| 13   | 107143304   | 2   | KIT ROUE D250                       |       |
| 14   | 1801075     | 1   | ANNEAU DE JOINT                     |       |
| 15   | 107143066   | 1   | PISTON                              |       |
| 16   | 1600493     | 1   | RACCORD RAPIDE MALE HP EN 3/8       |       |



| Pos. | Réf article | Qté | Désignation                          | Notes |
|------|-------------|-----|--------------------------------------|-------|
| 1    | 101406100   | 1   | TUYAU 6X3 MM X 5 M                   |       |
| 2    | 301000561   | 1   | COUVERCLE RESERVOIR DETERGENT        |       |
| 3    | 301001133   | 2   | COLLIER D10/7                        |       |
| 4    | 101117784   | 1   | VANNE FLOTTEUR                       |       |
| 5    | 34218       | 1   | FILTRE                               |       |
| 6    | 1800341     | 1   | ECROU 3/4"                           |       |
| 7    | 107143084   | 1   | COUDE A VIS 90° 20X3/4 PP AVEC JOINT |       |
| 8    | 107143031   | 1   | TUYAU FUEL D28/D20 10BAR/20°         |       |
| 9    | 8298        | 4   | COLLIER 16-27                        |       |
| 10   | 101406054   | 1   | JOINT                                |       |
| 11   | 107143032   | 1   | O-RING D30X2 SHORE70 NBR BLACK       |       |
| 12   | 106403194   | 1   | FILTRE DE RESERVOIR                  |       |
| 13   | 107143060   | 1   | COVER FOR WATER TANK                 |       |
| 14   | 107143030   | 1   | WATER BREAK TANK                     |       |

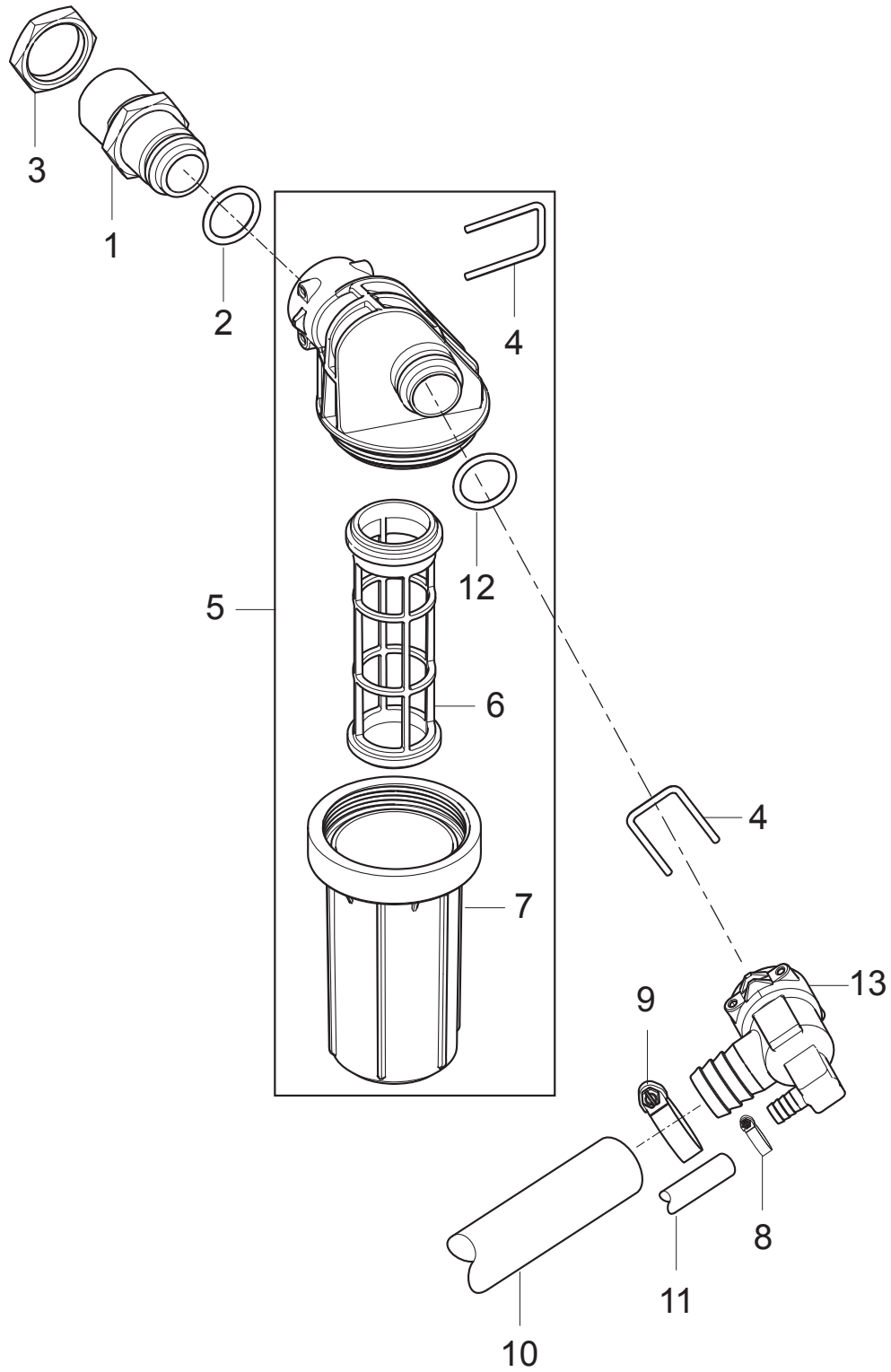




| Pos. | Réf article | Qté | Désignation                         | Notes |
|------|-------------|-----|-------------------------------------|-------|
| 1    | 107143034   | 1   | FUEL TANK LID - RED                 |       |
| 2    | 107144862   | 1   | FILTRE RESERVOIR GO MH              |       |
| 3    | 107143035   | 1   | FUEL TANK 15L                       |       |
| 4    | 301001133   | 6   | COLLIER D10/7                       |       |
| 5    | 301002926   | 1   | FILTRE                              |       |
| 6    | 106408244   | 1   | TUBE DE 5M D6X2.5                   |       |
| 7    | 3000072     | 1   | JOINT TORIQUE 10.1X1.6              |       |
| 8    | 6180906     | 1   | BOUCHON FILETÉ                      |       |
| 9    | 107143033   | 1   | SONDE RESERVOIR DE FUEL             |       |
| 10   | 3001237     | 1   | JOINT                               | [1]   |
| 11   | 107143113   | 1   | OBTURATEUR SONDE 3/4 POUR MH3 4 FAL | [1]   |
| 12   | 107143164   | 1   | GAINE DE PROTECTION                 | [2]   |

Part Notes:

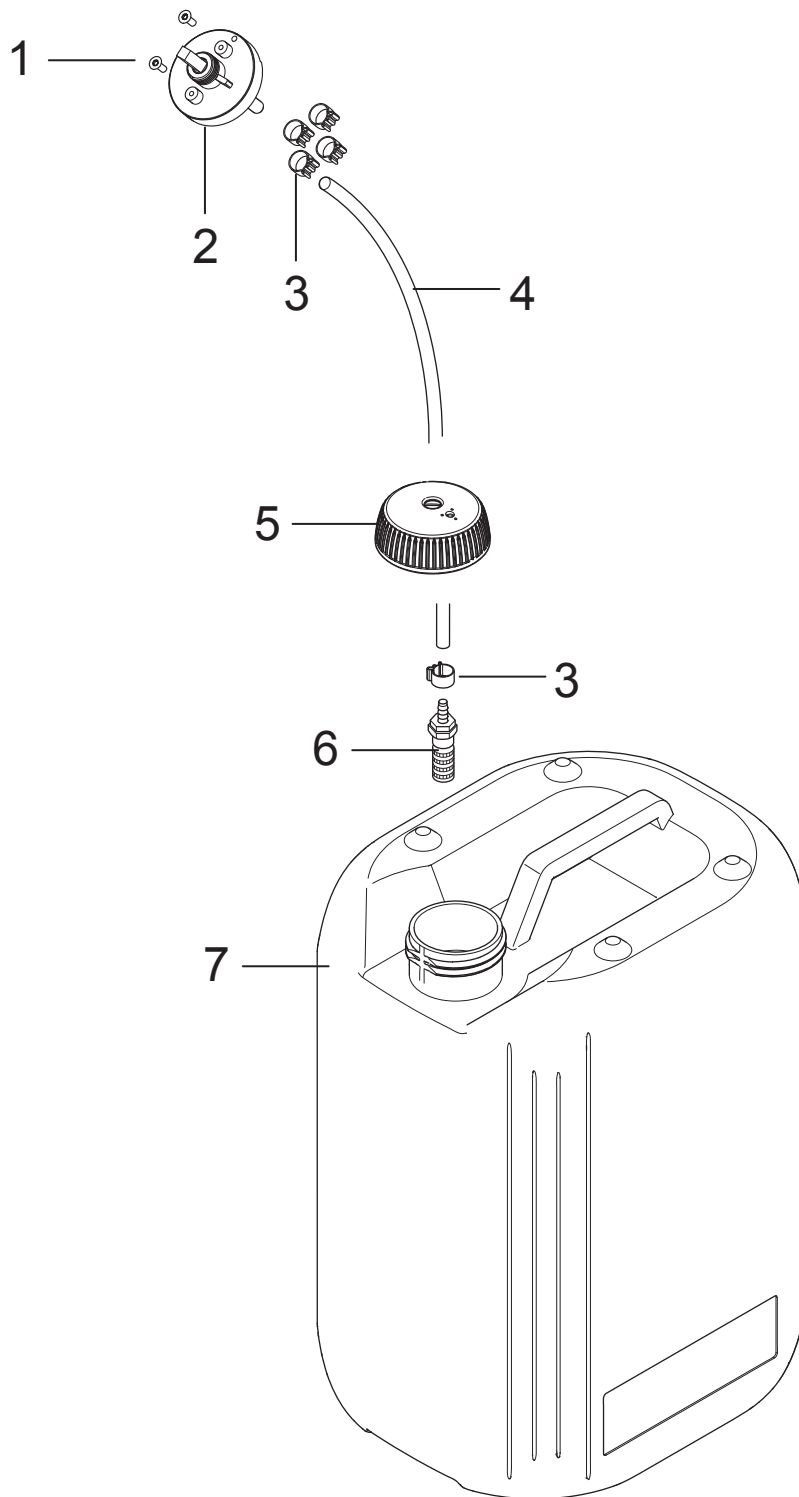
- [1] - MH3/FAL  
 [2] - DE TSB-PPW-2017-006 MH 3, 4, 5, 6, 7 Kraftstoffschlauch kann durch zu st...  
 TSB-PPW-2017-006 MH 3, 4, 5, 6, 7 Fuel hose can bend and block for fuel



| Pos. | Réf article | Qté | Désignation                       | Notes |
|------|-------------|-----|-----------------------------------|-------|
| 1    | 107143086   | 1   | RACCORD ENTREE FILTRE A EAU       |       |
| 2    | 107143088   | 2   | JOINT TORIQUE 18.72X2.62          |       |
| 3    | 1800341     | 1   | ECROU 3/4"                        |       |
| 4    | 107143085   | 2   | GOUPILLE DE VERROUILLAGE          |       |
| 5    | 107144272   | 1   | KIT FILTRE ENTREE EAU 50µ MH3/MH4 |       |
| 6    | 31001100    | 1   | CARTOUCHE FILTRANTE               | [1]   |
| 7    | 31001011    | 1   | VERRE POUR FILTRE 0 EAU           | [1]   |
| 8    | 11654       | 1   | COLLIER D. 11,5                   |       |
| 9    | 8298        | 1   | COLLIER 16-27                     |       |
| 10   | 107143031   | 1   | TUYAU FUEL D28/D20 10BAR/20°      |       |
| 11   | 101406100   | 1   | TUYAU 6X3 MM X 5 M                |       |
| 12   | 107143088   | 1   | JOINT TORIQUE 18.72X2.62          |       |
| 13   | 107143087   | 1   | RACCORD D ENTREE D EAU            |       |

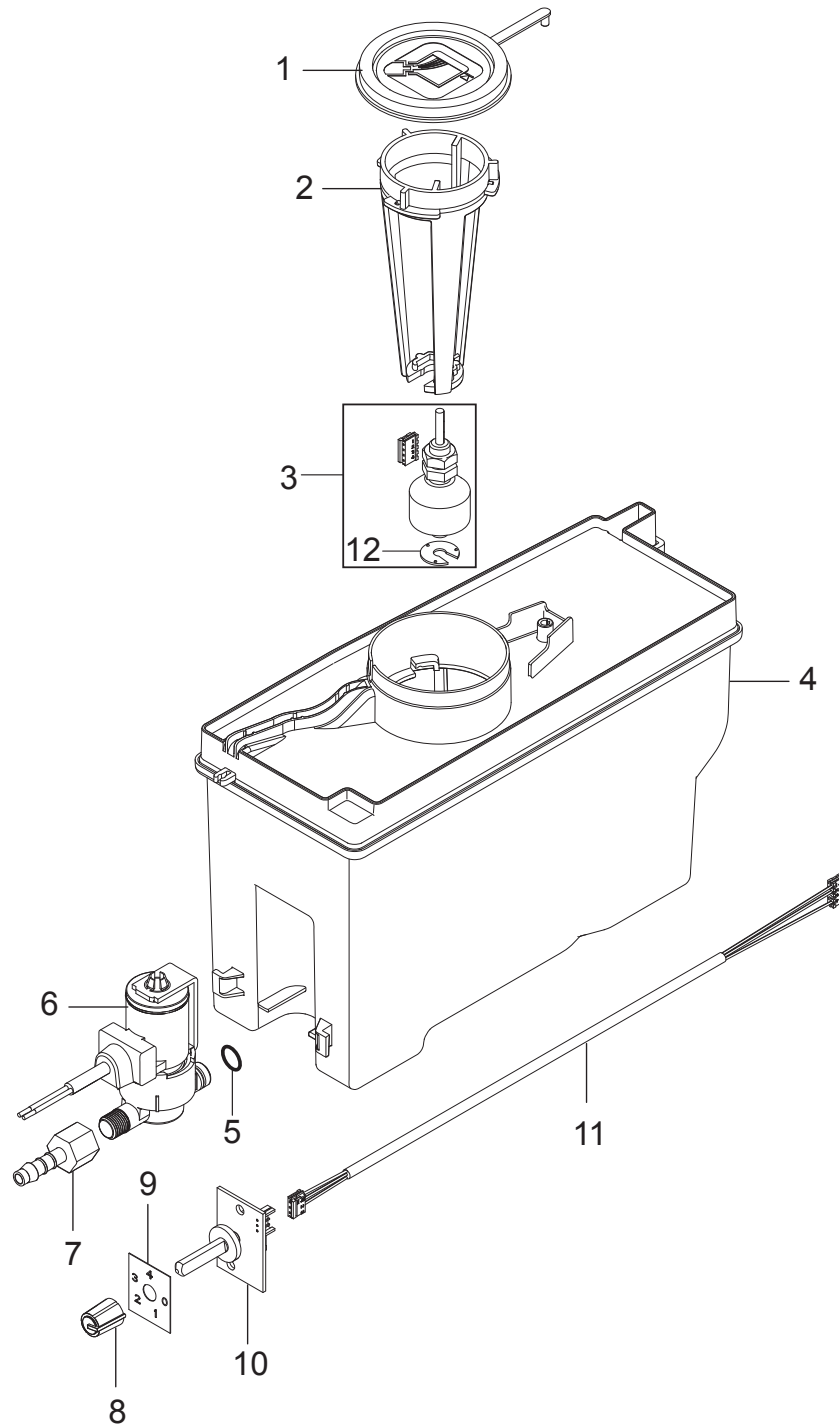
## Part Notes:

- [1] - TSB-PPW-2020-006 Water inlet filter cartridge and filter glass improved  
 DE TSB-PPW-2020-006 Wasserzulauffilter Glas und Filtereinsatz verbessert  
 TSB-PPW-2020-06 Cartouche de filtre d'entrée d'eau et bocal de filtre amélioré



---

| <b>Pos.</b> | <b>Réf article</b> | <b>Qté</b> | <b>Désignation</b>                 | <b>Notes</b> |
|-------------|--------------------|------------|------------------------------------|--------------|
| 1           | 1814730            | 2          | VIS                                |              |
| 2           | 301001000          | 1          | VANNE DETERGENT                    |              |
| 3           | 301001133          | 8          | COLLIER D10/7                      |              |
| 4           | 106408243          | 1          | TUBE TRANSPARENT DE 5M 1/4INCH     |              |
| 5           | 107141664          | 2          | BOUCHON POUR BIDON A DETERGENT     |              |
| 6           | 107145440          | 2          | KIT CREPINE DE RESERVOIR DETERGENT |              |
| 7           | 80518              | 1          | BIDON 10L MH                       |              |

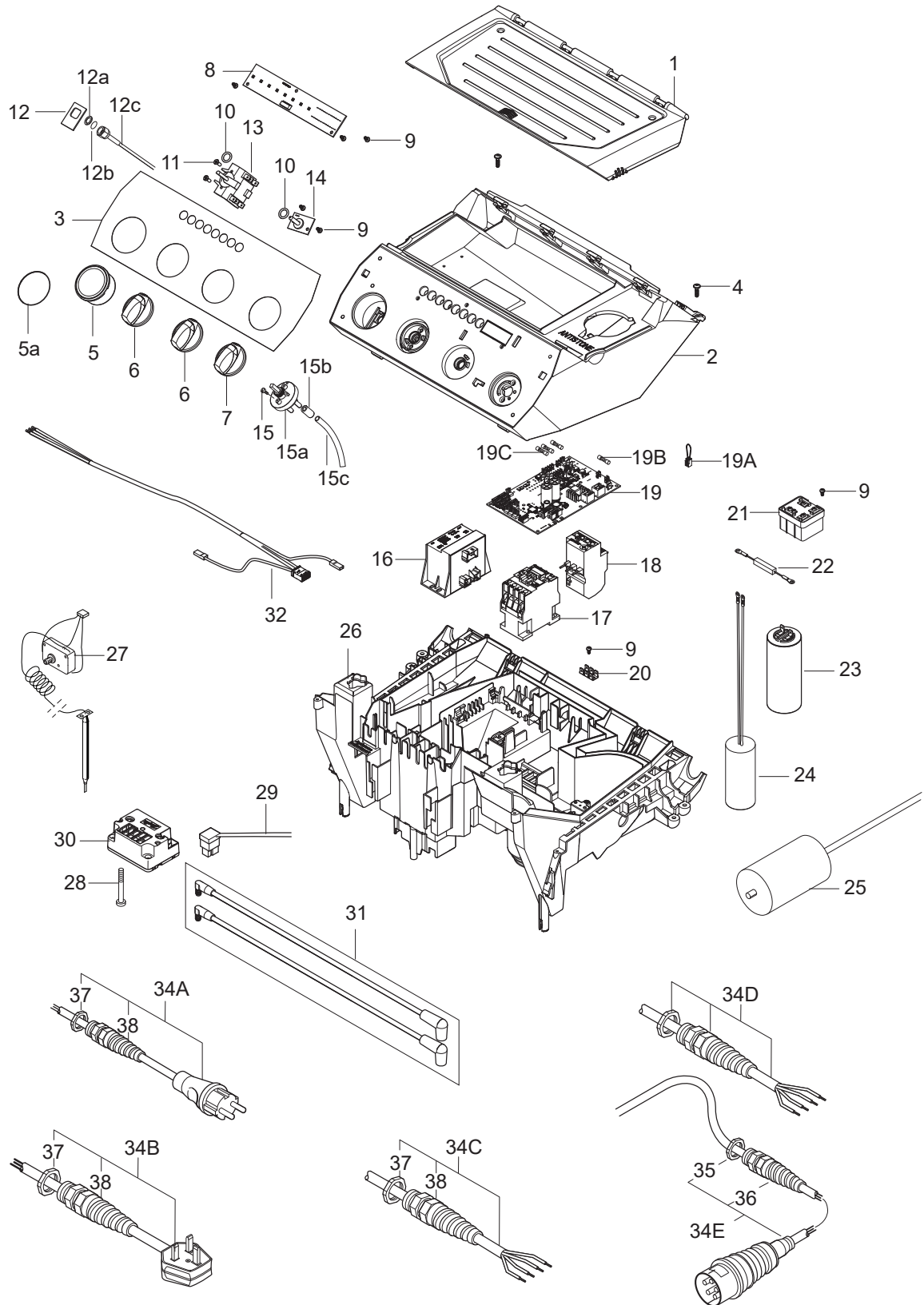


| Pos. | Réf article | Qté | Désignation                              | Notes |
|------|-------------|-----|--|-------|
| 1    | 45646       | 1   | COUVERCLE                                |       |
| 2    | 107143040   | 1   | SUPPORT CAPTEUR DE NIVEAU POUR ANTISCALE |       |
| 3    | 101118214   | 1   | KIT FLOTTEUR                             |       |
| 4    | 107143041   | 1   | RESERVOIR ANTISCALE                      |       |
| 5    | 31001036    | 1   | JOINT TORIQUE 6X2 NBR 70SH               |       |
| 6    | 107143037   | 1   | VALVE DE DOSAGE RPE 24VAC                |       |
| 7    | 107143036   | 1   | TUYAU D6X1/8 PA                          |       |
| 8    | 107318222   | 1   | PUSH-ON KNOB 11MM/6MMD/WH                |       |
| 9    | 107143042   | 1   | LABEL FOR ANTISCALE                      |       |
| 10   | 101117730   | 1   | CARTE ELECTRONIQUE                       |       |
| 11   | 107143038   | 1   | CABLE D AJUSTEMENT D ANTI TARTRE         |       |
| 12   | 107142593   | 1   | CLIPS                                    | [1]   |

## Part Notes:

- [1] - TSB-PPW-2016-017 Locking ring for oil level switch falling off

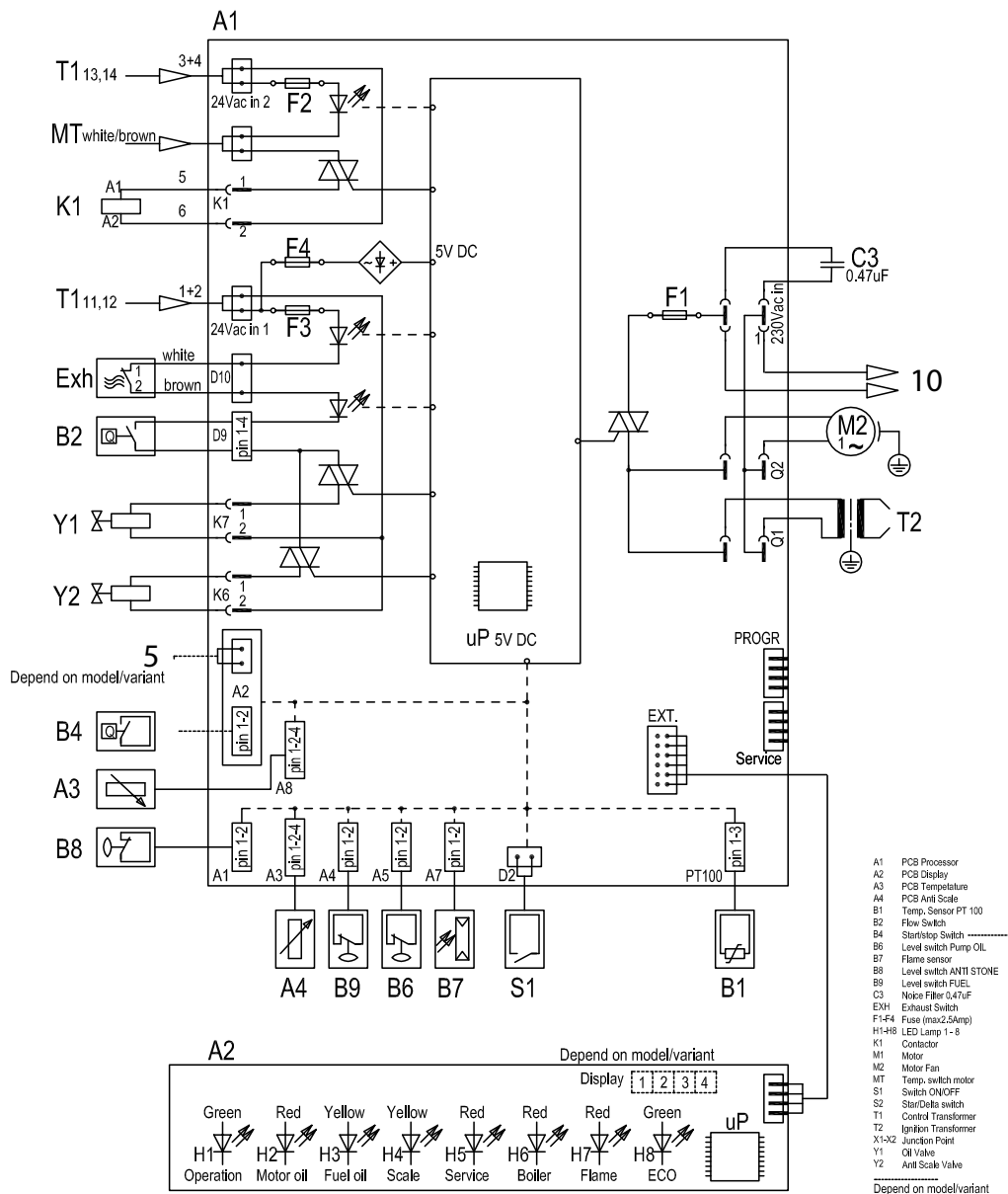




| Pos. | Réf article | Qté | Désignation                              | Notes |
|------|-------------|-----|--|-------|
| 1    | 107143046   | 1   | CAPOT BOITE DE RANGEMENT MH              |       |
| 2    | 107143045   | 1   | CAPOT DE BOITIER                         |       |
| 3    | 107143047   | 1   | ADHESIF DE PANNEAU DE COMMANDE MOYENNE   |       |
| 3    | 107143049   | 1   | ADHESIF DE PANNEAU DE COMMANDE BASSE     | [1]   |
| 4    | 107141838   | 2   | VIS K50X18 WN1451 NOIR TORX20            |       |
| 5    | 107141648   | 1   | MANOMETRE 0-300 BAR                      |       |
| 5a   | 107143050   | 1   | COVER FOR E-BOX (MANO-HOLE)              | [1]   |
| 6    | 909100204   | 2   | BOUTON TOURNANT 6X5 BLUE                 |       |
| 7    | 909100214   | 1   | BOUTON TOURNANT BLEU                     |       |
| 8    | 107143044   | 1   | CARTE PCBA NEO UI LED CPL. MH            |       |
| 9    | 909100046   | 5   | VIS KA40X8                               |       |
| 10   | 9868        | 2   | JOINT TORIQUE 10.2X2.5 NBR 70            |       |
| 11   | 18274       | 2   | VIS TETE FRAISEE M4X12                   |       |
| 12   | 107141650   | 1   | SUPPORT                                  |       |
| 12a  | 107141651   | 1   | JOINT M12 13X24X2.5 A2 DIN 125           |       |
| 12b  | 31000508    | 1   | JOINT TORIQUE NBR                        |       |
| 12c  | 102406647   | 1   | TUBE MANOMETRE                           |       |
| 13   | 28877       | 1   | INTERRUPTEUR                             |       |
| 14   | 101117730   | 1   | CARTE ELECTRONIQUE                       |       |
| 15   | 1814730     | 2   | VIS                                      |       |
| 15a  | 301001000   | 1   | VANNE DETERGENT                          |       |
| 15b  | 301001906   | 1   | CAPUCHON                                 |       |
| 15c  | 106408243   | 1   | TUBE TRANSPARENT DE 5M 1/4INCH           |       |
| 16   | 107143051   | 1   | TRANSFORMATEUR 230/400V 2X24V NEO        |       |
| 16   | 107143064   | 1   | TRANSFORMATEUR 220-240V/440-460V NEO     |       |
| 16   | 107143068   | 1   | TRANSFORMATEUR DE PUISSANCE 115 / 200V   |       |
| 17   | 103822306   | 1   | CONTACTEUR 24V POUR MONOPH. CJX2-D18-B7  | [2]   |
| 17   | 103822313   | 1   | CONTACTEUR ÉLECTROMAGNÉTIQUE 100-C23KJ10 | [3]   |
| 17   | 103822317   | 1   | CONTACTEUR CJX2-D32-B7 24                | [4]   |
| 18   | 103822327   | 1   | RELAIS THERMIQUE 12-18A                  | [5]   |
| 19   | 107143151   | 1   | CARTE ELECTRONIQUE MH                    | [6]   |
| 19A  | 101221031   | 1   | CAVALIER POUR REGLAGE TEMPS DE REVISION  |       |
| 19B  | 31001190    | 1   | FUSE 6.3A 5X20 MM 250V                   |       |
| 19C  | 15846       | 3   | FUSIBLE 2.5A                             |       |
| 20   | 107307326   | 1   | CONNECTEUR 6 FICHES PLATES MALES         |       |
| 21   | 107142761   | 1   | RELAIS DE DEMARRAGE RVA4G0C              | [7]   |
| 22   | 107141730   | 1   | DISCHARGE RESISTOR 15KOHM/7W             |       |
| 23   | 301002320   | 1   | CONDENSATEUR 70MF /450V P0 FSH6.3        | [8]   |
| 24   | 107143182   | 1   | CONDENSATEUR 70UF 450/500V RP-3          | [9]   |
| 25   | 107141619   | 1   | CONDENSATEUR 170MF                       | [10]  |
| 26   | 107143062   | 1   | BOITIER ELECTRIQUE INFERIEUR             |       |
| 27   | 101117723   | 1   | SONDE DE SURCHAUFFE                      |       |
| 28   | 909100149   | 2   | VIS K50X50                               |       |
| 29   | 107143098   | 1   | CABLE ALIMENTATION                       |       |
| 30   | 101117759   | 1   | TRANSFORMATEUR HT                        | [11]  |
| 31   | 101118220   | 1   | KIT CABLES D ALLUMAGE 2 PIECES           |       |
| 32   | 107143056   | 1   | CABLE FOR POWER TRAF0 PRIM 230V          | [12]  |
| 32   | 107143063   | 1   | CABLE FOR POWER TRANSFORMER PRIM 400V    | [13]  |
| 32   | 107143072   | 1   | CABLE F. POWER TRANSFORMER PRIM 230/400  | [14]  |
| 34A  | 101117809   | 1   | POWER C.H07RN 3G1.5 CEE7 GDN 6.3X0.8 KIT | [15]  |
| 34B  | 101117812   | 1   | POWER C.H07RN 3G1.5 BS13 GDN 6.3X0.8 KIT | [16]  |
| 34C  | 101117811   | 1   | POWER C.H07RN 4G1.5 GDN 6.3X0.8 KIT      | [17]  |
| 34C  | 107143099   | 1   | POWER CORD 4X2.5MM2 X9M                  | [18]  |
| 34D  | 101118182   | 1   | CABLE 4G2.5X6M GND 6.3X0.8 SANS PRISE    | [19]  |
| 34E  | 301000834   | 1   | CÂBLE D'ALIMENTATION EUROPA              | [20]  |
| 35   | 909100198   | 1   | SCREWED CABLE GLAND M25X1.5              |       |
| 36   | 909100020   | 1   | HEXAGON THIN NUT M25X1.5 EN 50262 PA     |       |
| 37   | 909100019   | 1   | ECROU M20X1.5                            |       |
| 38   | 909100043   | 1   | RACCORD À VIS POUR CÂBLES                |       |

## Part Notes:

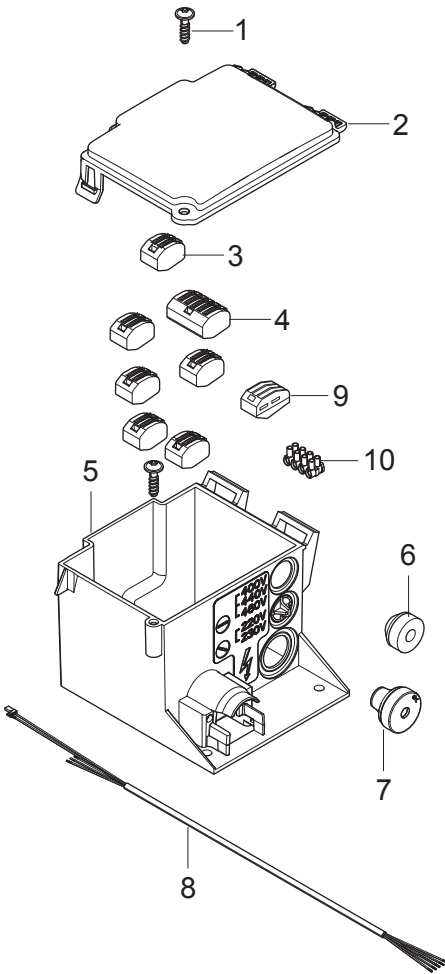
- [1] - FAL
- [2] - All MH3  
MH4-100/680, MH4-130/720, MH4-180/860, MH4-200/960, MH4-210/1000, MH220/1000
- [3] - MH3-160/770 440-220V 3~ 60Hz (EXP)  
MH4-200/960 400-230V 3~ 50Hz (NO)
- [4] - MH4-180/890 200V 3~ 50/60Hz (JP), MH4-200/960 440-220 3~ 60Hz (EXP)
- [5] - Only MH3
- [6] - TSB-PPW-2018-014 MH models Software update  
DE TSB-PPW-2018-014 MH-Modelle Software Update
- [7] - TSB-PPW-2018-003 MH\_MC change of start relay and run capacitor  
TSB-PPW-2018-003 MH\_MC Changement du relais de démarrage et du condensateur de fonctionnement
- [8] - ECN-1009971  
MH3: 1ph
- [9] - MH4: 1ph  
TSB-PPW-2018-003 MH\_MC change of start relay and run capacitor
- [10] - MH4: 1ph
- [11] - TSB-PPW-2018-004 Boiler cannot start - no ignition  
FR TSB-PPW-2018-004 Le bruleur ne démarre plus  
DE TSB-PPW-2018-004 Brenner startet nicht - keine Zündung
- [12] - MH3/MH4: 1~
- [13] - MH3/MH4: Star or Delta
- [14] - MH3/MH4: star/delta
- [15] - MH 4M-130/720 FA 230/1/50 EU
- [16] - MH 3M-100/600 PA 230/1/50 UK, MH 4M-100/680 PA 230/1/50 UK
- [17] - MH 3M-160/770 PA 440-220/3/60 EXPT
- [18] - MH 4M-180/890 FA 200/3/50 JP
- [19] - MH 4M-200/960 FAX 400-230/3/50 NO, EXP
- [20] - MH 4M-200/960 FA 400/3/50 EU, MH 4M-180/860 FAL 400/3/50 EU, MH 4M-210/1000 PAX 400/3/50 EU, MH 3M-160/770 PA 400/3/50 EU, MH 4M-220/1000 FAX 400/3/50 EU



| Pos. | Réf article | Qté | Désignation                              | Notes |
|------|-------------|-----|--|-------|
| T1   | 107143052   | 2   | CABLE FOR POWER TRANSFORMER SEC 6X0.75   |       |
| MT   | 107143070   | 1   | CABLE FOR MT                             | [1]   |
| MT   | 107143057   | 1   | CABLE FOR RELAY                          | [2]   |
| MT   | 107143081   | 1   | CABLE DE LIAISON CARTE MOTEUR MT MH3     | [3]   |
| K1   | 107143052   | 1   | CABLE FOR POWER TRANSFORMER SEC 6X0.75   |       |
| Exh  | 107143055   | 1   | CABLE FOR HOT WATER MODE AND EXH. SWITCH |       |
| B2   | 107143121   | 2   | COMMUTATEUR MAGNETIQUE AVEC CABLE        |       |
| Y1   | 107143095   | 1   | CABLE POUR ELECTROVANNE 2X0.5            |       |
| Y2   | 107143037   | 1   | VALVE DE DOSAGE RPE 24VAC                |       |
| 5    | 31001037    | 1   | INTERRUPTEUR CPLT ASSEMBLE NA4           | [4]   |
| 5    | 101118188   | 1   | KIT MICRO SWITCH                         | [5]   |
| B4   | 107143121   | 2   | COMMUTATEUR MAGNETIQUE AVEC CABLE        | [6]   |
| A3   | 107143043   | 1   | CABLE D AJUSTEMENT DE TEMPERATURE        |       |
| B8   | 101118214   | 1   | KIT FLOTTEUR                             |       |
| A4   | 107143038   | 1   | CABLE D AJUSTEMENT D ANTI TARTRE         |       |
| B9   | 107143033   | 1   | SONDE RESERVOIR DE FUEL                  | [7]   |
| B9   | 107143059   | 1   | EHR-4 JUMPER                             | [8]   |
| B6   | 101118173   | 1   | SONDE DE NIVEAU HUILE                    | [9]   |
| B6   | 107143059   | 1   | EHR-4 JUMPER                             | [8]   |
| B7   | 107143100   | 1   | SONDE DETECTION FLAMME AVEC CABLE        |       |
| S1   | 107143055   | 1   | CABLE FOR HOT WATER MODE AND EXH. SWITCH |       |
| B1   | 107143083   | 1   | SONDE DE TEMPERATURE PT100 AVEC CABLE    |       |
| A1   | 107143053   | 1   | CABLE FOR UI                             |       |
| A2   | 107143098   | 1   | CABLE ALIMENTATION                       |       |
| M2   | 107143096   | 1   | MOTEUR DE BRULEUR - 0.23KW/230V/50HZ/1PH | [10]  |
| M2   | 107143097   | 1   | MOTEUR BURNER 390W/200-240V/50/60HZ      | [11]  |
| 10   | 107143054   | 1   | WIRE BLACK L=400                         | [12]  |
| 10   | 107143058   | 1   | WIRE 1.5MM2 BLACK                        | [2]   |
| C3   | 101117867   | 1   | CONDENSATEUR 0.47MF                      |       |

## Part Notes:

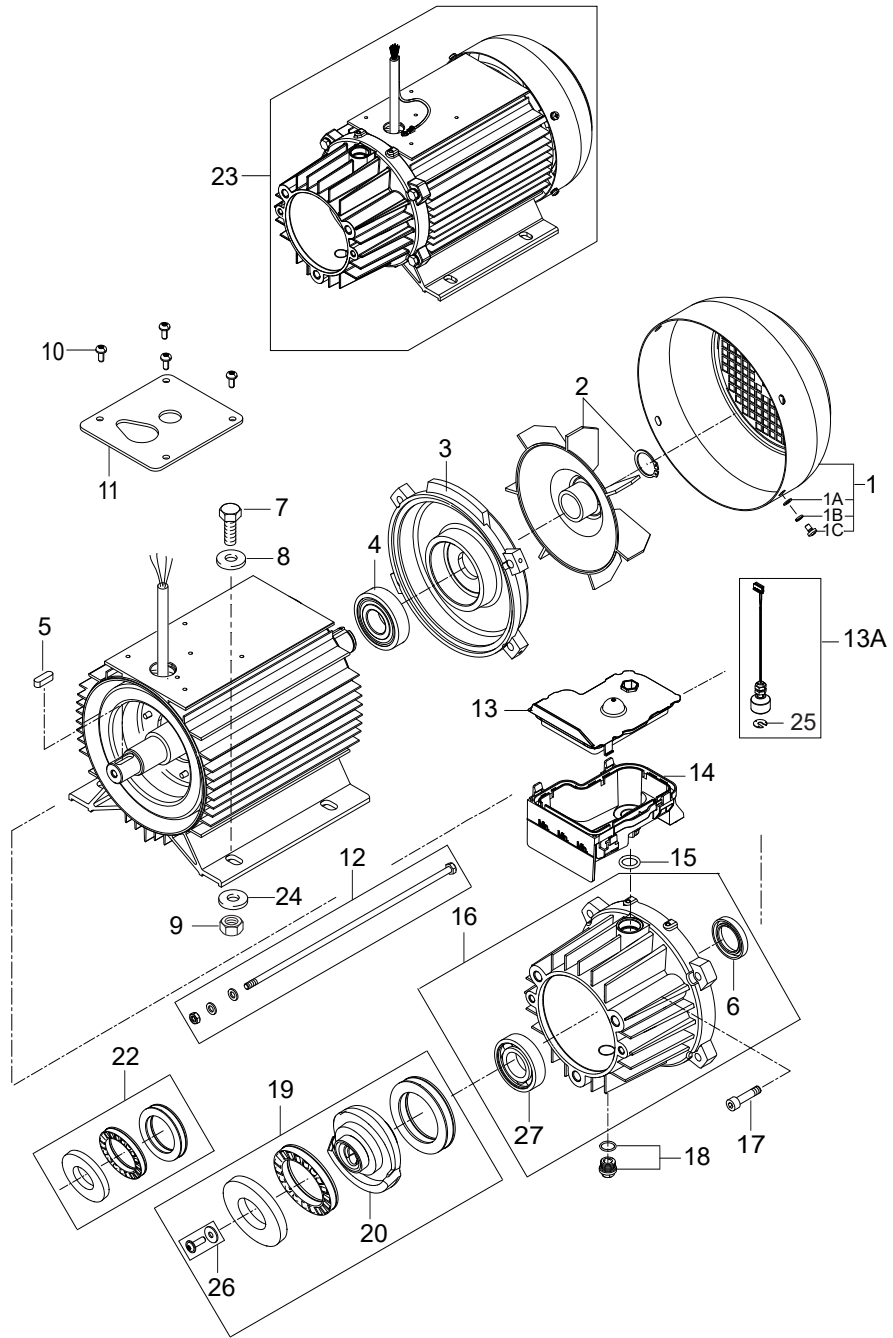
- [1] - MH4
- [2] - MH3 1~
- [3] - MH3 3~
- [4] - MH3
- [5] - NA5 PA
- [6] - NA5 FA
- [7] - MH4+5+6+7
- [8] - MH3+MH4FAL
- [9] - MH4+5+6+7
- MI 107309166 JST Connector
- [10] - All except MH4 JP+ MH4M-200 60Hz
- [11] - MH4 JP+ MH4M-200 60Hz
- [12] - All except MH3 1~



| Pos. | Réf article | Qté | Désignation                          | Notes |
|------|-------------|-----|--------------------------------------|-------|
| 1    | 107141838   | 1   | VIS K50X18 WN1451 NOIR TORX20        |       |
| 2    | 301000782   | 1   | COUVERCLE BOITIER ELEC 128.2 X 112.5 |       |
| 3    | 107143069   | 6   | BORNIER WAGO 2 POLES                 |       |
| 4    | 301002165   | 1   | BORNIER WAGO 5 POLES 222-415         |       |
| 5    | 107143074   | 1   | E-BOX                                |       |
| 6    | 3803764     | 1   | PRESSE-ETOUPE TET 5-7C               |       |
| 7    | 3803772     | 1   | CABLE PASSE FILS TET 7-10C           |       |
| 8    | 107143075   | 1   | MOTOR CABLE 5G1.5 FOR 3~             | [1]   |
| 8    | 107143076   | 1   | MOTOR CABLE 5G1.5 FOR 1~             | [2]   |
| 8    | 107143071   | 1   | MOTOR CABLE 5G2.5 FOR STAR/DELTA     | [3]   |
| 8    | 107143129   | 1   | MOTOR CABLE 4G4 DELTA MH5-6-7        | [4]   |
| 9    | 107143069   | 1   | BORNIER WAGO 2 POLES                 | [5]   |
| 10   | 107143158   | 1   | DOMINO 4 POLES 10MM2                 | [6]   |

## Part Notes:

- [1] - MH4, MH5-200
- [2] - MH4 1ph, MH5 1ph
- [3] - MH4 (JP), MH5 (not MH5-200), MH6, MH7
- [4] - MH6 JP, MH7JP
- [5] - 1~
- [6] - MH5-6-7 - Delta, JP



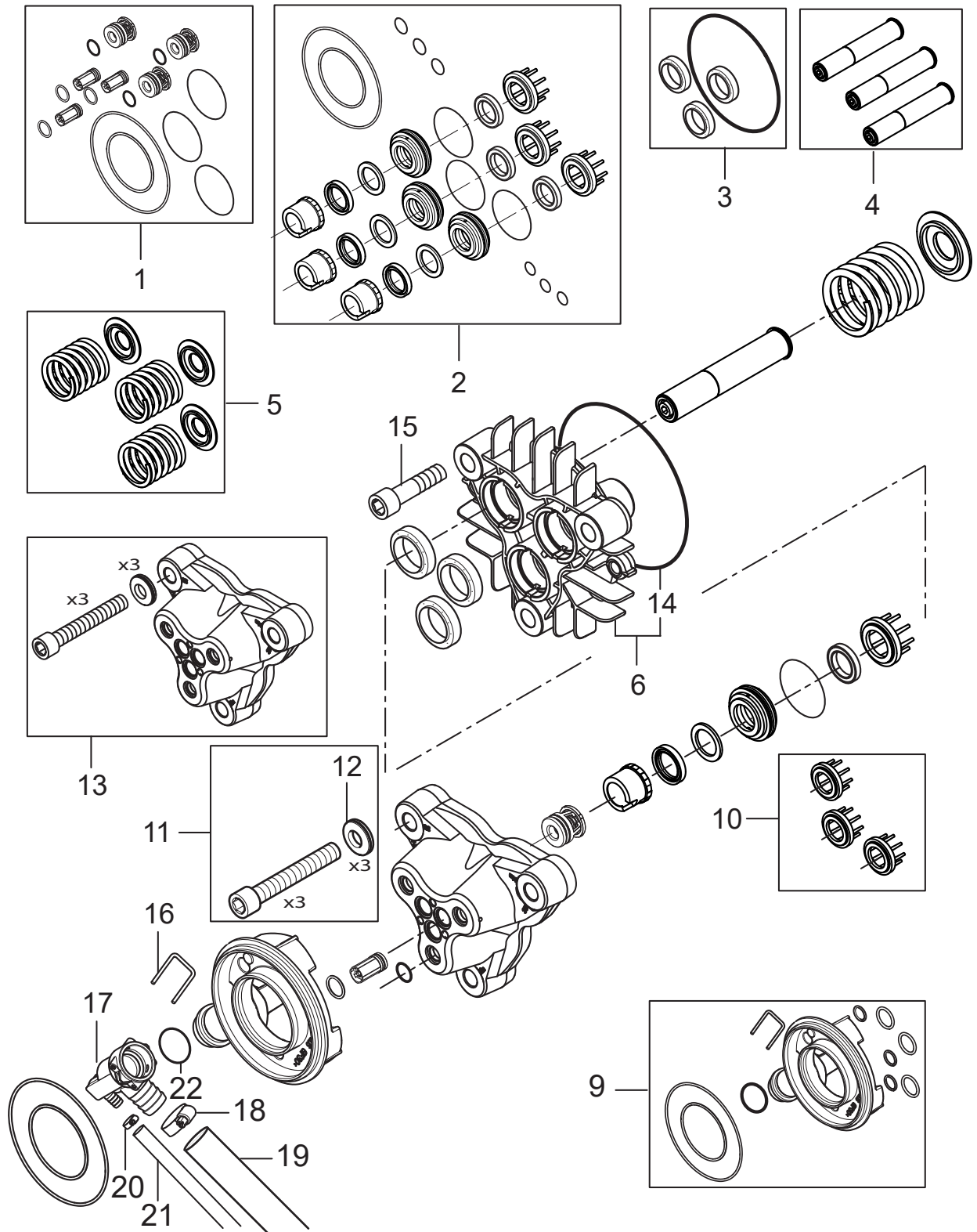


| Pos. | Réf article | Qté | Désignation                              | Notes |
|------|-------------|-----|--|-------|
|      | 31001229    | 1   | OIL ISO 150 ALPHASYN-T 20L               |       |
| 0    | 5218433     | 1   | HUILE ALPHASYN T150                      | [1]   |
| 1    | 107144126   | 1   | BAGUE DE VENTILATEUR                     |       |
| 1A   | 2763        | 4   | RONDELLE 53X1                            |       |
| 1B   |             | 4   | Spring washer Ø5                         |       |
| 1C   | 1813781     | 4   | SCREW M5X8                               |       |
| 2    | 107144125   | 1   | VENTILATEUR                              |       |
| 3    | 31000148    | 1   | COUVERCLE DE ROULEMENT                   |       |
| 4    | 31000149    | 1   | ROULEMENT ARRIERE DE POMPE RF            |       |
| 5    | 19639       | 1   | CLAVETTE VILEBREQUIN                     |       |
| 6    | G120414     | 1   | BAGUE D'ÉTANCHÉITÉ 30X47X7               |       |
| 7    | 1801133     | 4   | SCREW M10X25 ISO4017 ZN                  |       |
| 8    | 2767        | 4   | RONDELLE 10.5X2                          |       |
| 9    | 8952        | 4   | ECROU M10 ISO 10511                      |       |
| 10   | 107140881   | 4   | VIS M5X12 DIN 7985 TORX                  |       |
| 11   | 107140875   | 1   | JOINT                                    | [2]   |
| 12   | 31000505    | 1   | VIS M8X290                               |       |
| 12   | 31000504    | 1   | VIS M8X265                               |       |
| 13   | 107140877   | 1   | COUVERCLE                                |       |
| 13A  | 101118173   | 1   | SONDE DE NIVEAU HUILE                    | [3]   |
| 14   | 107143094   | 1   | RESERVOIR D HUILE                        |       |
| 15   | 107140882   | 1   | JOINT                                    |       |
| 16   | 107141967   | 1   | KIT COUVERCLE POMPE AVEC ROULEMENT NA5.2 |       |
| 17   | 107144142   | 4   | KIT VIS DE POMPE NA5                     |       |
| 18   | 107141982   | 1   | BOUCHON DE VIDANGE AIMANTE NA 5.2        |       |
| 19   | 101118249   | 1   | KIT ROULEMENTS DISQ.OBLIQ.7.2 DEG.NA5.2  | [4]   |
| 19   | 101118248   | 1   | KIT ROULEMENTS DISQ.OBLIQ.7.74 DEG.NA5.2 | [5]   |
| 19   | 101118246   | 1   | KIT ROULEMENTS DISQ.OBLIQ.8.4 DEG.NA5.2  | [6]   |
| 19   | 101118247   | 1   | KIT ROULEMENTS DISQ.OBLIQ.8.7 DEG.NA5.2  | [7]   |
| 19   | 101118245   | 1   | KIT ROULEMENTS DISQ.OBLIQ.9.5 DEG.NA5.2  | [7]   |
| 19   | 101118244   | 1   | KIT ROULEMENTS DISQ.OBLIQ.9.85 DEG.NA5.2 | [8]   |
| 19   | 101118243   | 1   | KIT ROULEMENTS DISQ.OBLIQ.10.2 DEG.NA5.2 | [9]   |
| 19   | 101118242   | 1   | KIT ROULEMENTS DISQ.OBLIQ.10.9 DEG.NA5.2 | [10]  |
| 20   | 107143108   | 1   | WOBBLE DISC 7.2 DEG. NA5.2               | [4]   |
| 20   | 107141990   | 1   | WOBBLE DISC 7.74 DEG. NA5.2              | [5]   |
| 20   | 107141961   | 1   | DISQUE OBLIQUE 8.4 DEG. NA5.2            | [6]   |
| 20   | 107141962   | 1   | DISQUE OBLIQUE 8.7 DEG. NA5.2            | [7]   |
| 20   | 107141963   | 1   | DISQUE OBLIQUE 9.15 DEG. NA5.2           | [7]   |
| 20   | 107143109   | 1   | WOBBLE DISC 9.85 DEG. NA5.2              | [8]   |
| 20   | 107141964   | 1   | DISQUE OBLIQUE 10.2 DEG. NA5.2           | [9]   |
| 20   | 107141965   | 1   | DISQUE OBLIQUE 10.9 DEG. NA5.2           | [10]  |
| 21   | 101118264   | 1   | MPU NA5.2 PA 5.5KW/400V/50HZ/3PH/10.9DEG | [11]  |
| 22   | 101118240   | 1   | KIT ROULEMENTS FA & PA NA5.2             |       |
| 23   | 107141954   | 1   | MOTEUR 5.5 KW 220/230-400/440/3/50/60 EU | [12]  |
| 23   | 107141955   | 1   | MOTOR 5.2 KW/220/1 60HZ 5-52 US          | [13]  |
| 23   | 107141956   | 1   | MOTEUR 2.2 KW/230/1 50HZ                 | [14]  |
| 23   | 107141957   | 1   | MOTOR 4KW 200/3/50-60HZ JP 5-47 JP       | [15]  |
| 23   | 107141958   | 1   | MOTOR 4KW 230-400/220-440 3/50-60HZ NA5  | [16]  |
| 24   | 4827        | 4   | RONDELLE HOME CLEANER                    |       |
| 25   | 107142593   | 1   | CLIPS                                    | [17]  |
| 26   | 107142658   | 1   | NA5.2 WD SCREW AND WASHER                |       |
| 27   | 107144817   | 1   | ROULEMENT KBC 6206 GB/T818               |       |

## Part Notes:

- [1] - 0,75L - OIL TYPES\_QUANTITY for HPW\_APRIL 2017
- [2] - TSB-PPW-2018-012 NA5\_NA6 mpu. Water enters into the stator.
- [3] - MI 107309166 JST Connector
- [4] - MH 4M-100/680 PA
- [5] - MH 4M-130/720 FA, (MH 4M-100/720 FA gerni)

- 
- [6] - MH 4M-180/890 FA 200/3/60 JP
  - [7] - MH 4M-180/860
  - [8] - MH 4M-180/890 FA 200/3/50 JP
  - [9] - MH 4M-200/960 FA
  - [10] - MH 4M-210/1000 PA, MH 4M-220/1000 FA
  - [11] - MH 4M-210/1000 PAX EU
  - [12] - MH 4M-200/960 FA, MH 4M-210/1000 PAX, MH 4M-220/1000 FA  
Also order Gasket for motor, 107140875
  - [13] - Also order Gasket for motor, 107140875
  - [14] - MH 4M-130/720 FA, MH 4M-100/720 FA, MH 4M-100/680 PA  
Also order Gasket for motor, 107140875
  - [15] - MH 4M-180/890 FA JP  
Also order Gasket for motor, 107140875
  - [16] - MH 4M-180/860 FA, MH 4M-180/860 FAL  
Also order Gasket for motor, 107140875
  - [17] - TSB-PPW-2016-017 Locking ring for oil level switch falling off



| Pos. | Réf article | Qté | Désignation                          | Notes |
|------|-------------|-----|--------------------------------------|-------|
| 1    | 101118121   | 1   | JEU DE SOUPAPES                      |       |
| 2    | 101118323   | 1   | KIT JOINTS D EAU                     | [1]   |
| 3    | 107144102   | 1   | JEU DE JOINTS DE PISTONS             |       |
| 4    | 101118239   | 1   | KIT PISTONS NA5.2                    |       |
| 5    | 107144104   | 1   | JEU DE PIÈCES DE RESSORT             |       |
| 6    | 107141983   | 1   | CULASSE NUE                          |       |
| 9    | 101118147   | 1   | KIT COLLECTEUR D ENTREE D EAU NA5    |       |
| 10   | 107140919   | 1   | SUPPORT DE JOINT NA5                 |       |
| 11   | 107141968   | 1   | VIS DE CULASSE M12X80 AVEC RONDELLE  |       |
| 12   | 107141969   | 3   | RONDELLE NLX12SP D12.5XD25.4X4.2MM   |       |
| 13   | 107141985   | 1   | CULASSE NA 5.2 AVEC VIS ET RONDELLES |       |
| 14   | 107141512   | 1   | JOINTS TORIQUES D114 X D1.78 NBR 72  |       |
| 15   | 4042        | 2   | VIS M8X40 ISO 4762 8.8 ZN            |       |
| 16   | 107143085   | 1   | GOUPILLE DE VERROUILLAGE             |       |
| 17   | 107143092   | 1   | RACCORD T D ENTREE D EAU MH3         | [2]   |
| 17   | 107143000   | 1   | RACCORD D'ENTRÉE D'EAU MEDIUM        | [3]   |
| 18   | 8298        | 2   | COLLIER 16-27                        |       |
| 19   | 107143031   | 1   | TUYAU FUEL D28/D20 10BAR/20°         |       |
| 20   | 11654       | 1   | COLLIER D. 11,5                      |       |
| 21   | 106408243   | 1   | TUBE TRANSPARENT DE 5M 1/4INCH       |       |
| 22   | 107143088   | 1   | JOINT TORIQUE 18.72X2.62             |       |

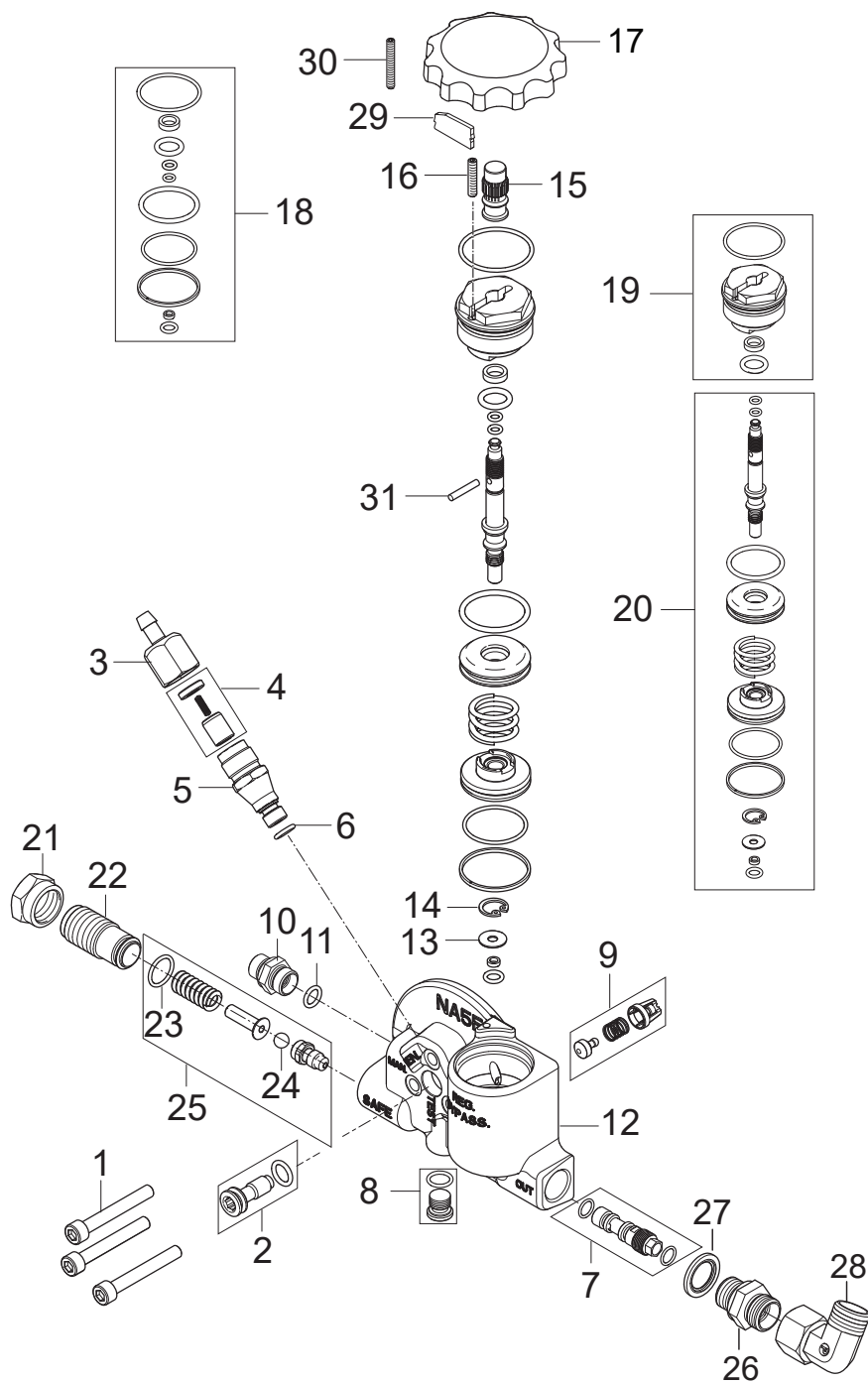
## Part Notes:

- [1] - TSB-PPW-2020-003 NA5 pump THRUST COLLAR changed  
 DE TSB-PPW-2020-003 NA5 Pumpe - Änderung der Druckringe  
 TSB-PPW-2020-003 Nouvelles bagues laiton pour pompe NA5
- [2] - MH 4M-100/680 PA

MH 4M-100/720 FA Gerni

MH 4M-130/720 FA

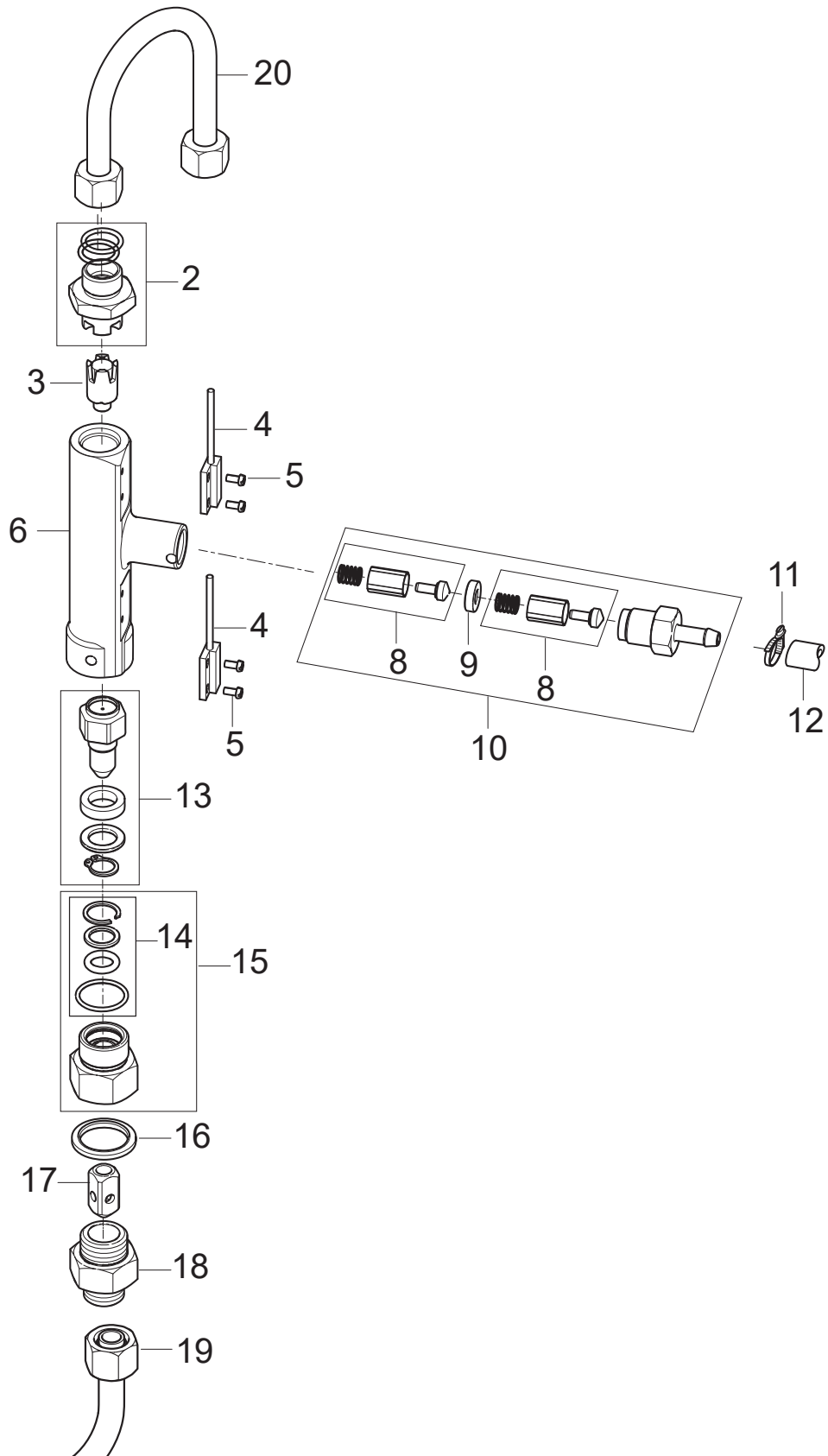
- [3] - MH 4M-200/960FA
- MH 4M-210/1000PA
- MH 4M-180/890 FA
- MH 4M-180/860 FA
- MH 4M-220/1000 FA



| Pos. | Réf article | Qté | Désignation                          | Notes |
|------|-------------|-----|--------------------------------------|-------|
| 1    | 5100        | 3   | VIS M6X 45                           |       |
|      | 107144142   | 1   | KIT VIS DE POMPE NA5                 | [1]   |
| 2    | 107144137   | 1   | BOUCHON                              |       |
| 3    | 6221529     | 1   | RACCORD                              |       |
| 4    | 101118183   | 1   | KIT PISTON                           |       |
| 5    | 101117890   | 1   | CORPS DE CLAPET DE DECHARGE          |       |
| 6    | 3001740     | 1   | JOINT TORIQUE 7.66X1.78              |       |
| 7    | 107144112   | 1   | INJECTEUR                            |       |
| 8    | 101117924   | 1   | BOUCHON 1/8                          |       |
| 9    | 101118184   | 1   | KIT CLAPET DE RETOUR BY-PASS         | [2]   |
| 10   | 1821        | 1   | PIÈCE DE RACCORDEMENT                |       |
| 11   | 3001740     | 1   | JOINT TORIQUE 7.66X1.78              |       |
| 12   | 107143111   | 1   | CORP DE BY-PASS FA                   |       |
| 13   | 106408196   | 1   | RONDELLE LAITON D12.95 X D4.6 X 0.9  |       |
| 14   | 106408195   | 1   | CIRCLIPS 13 DIN472                   |       |
| 15   | 106408189   | 1   | ECROU DE REGLAGE                     |       |
| 16   | 107146563   | 1   | VIS POINTEAU M4X16 DIN 913 FZG       |       |
| 17   | 107143003   | 1   | BOUTON DE REGULATEUR NA5/NA6 NILFISK |       |
| 18   | 101118050   | 1   | KIT JOINT BY-PASS                    |       |
| 19   | 101118051   | 1   | BOUCHON BY-PASS NA5/NA6              |       |
| 20   | 101118117   | 1   | KIT PISTON BY-PASS                   |       |
| 21   | 6100928     | 1   | ÉCROU                                |       |
| 22   | 6100940     | 1   | VIS D'AJUSTAGE                       |       |
| 23   | 3001070     | 1   | JOINT TORIQUE 13.1X1.6               |       |
| 24   | 1802644     | 1   | BILLE D7 MM                          |       |
| 25   | 101118118   | 1   | KIT VANNE SECURITE                   |       |
| 26   | 1601079     | 1   | PIÈCE DE RACCORDEMENT                |       |
| 27   | 1801075     | 1   | ANNEAU DE JOINT                      |       |
| 28   | 101118094   | 1   | PIÈCE DE RACCORDEMENT                |       |
| 29   | 107143005   | 1   | PLAQUE POUR BOUTON DE REGULATEUR     |       |
| 30   | 107146562   | 1   | VIS POITEAU M4X30 DIN 413            |       |
| 31   | 107146561   | 1   | PIN DIA 3 X 18MM STAINLESS STEEL     |       |

## Part Notes:

- [1] - 3x Screw HX M6 x 45 ISO 4762  
 2x CYLINDRICAL SCREW M6 X 18  
 2x Screw M8x40ISO47628.8zn  
 4x SCREW M8X35 ISO 4017
- [2] - Spring included: OD8,45 x L16,5 x d0,7

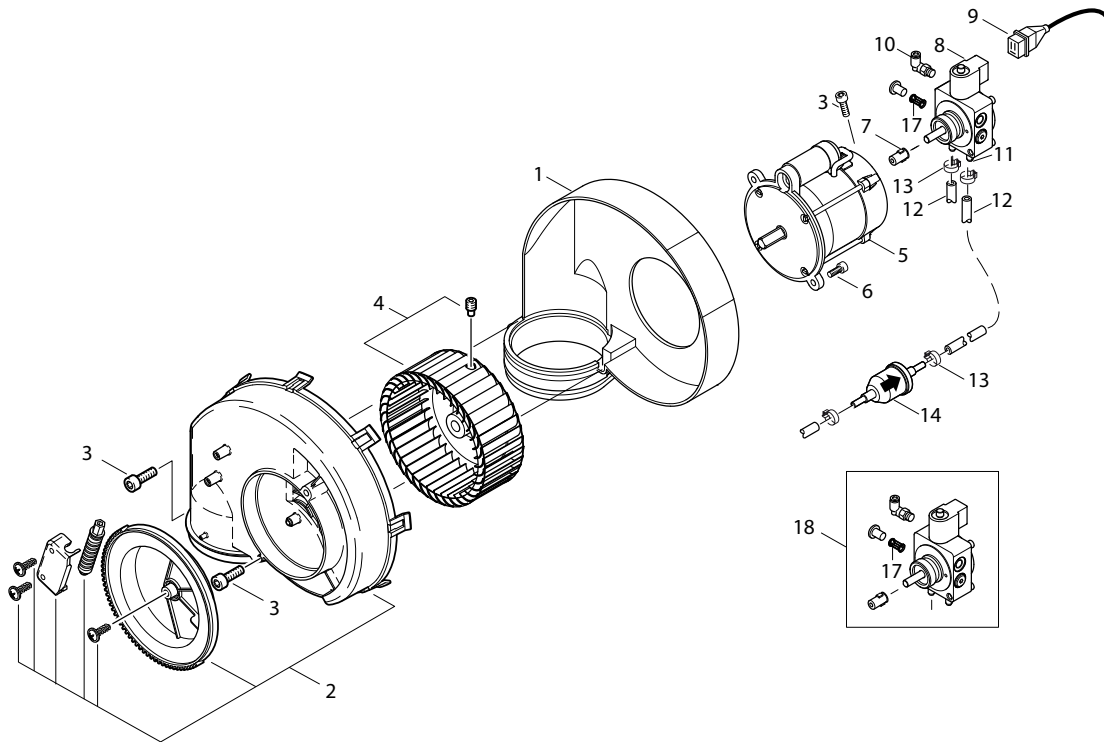




| Pos. | Réf article | Qté  | Désignation                              | Notes |
|------|-------------|------|--|-------|
| 2    | 101118190   | 1    | RACCORD M18X1,5                          |       |
| 3    | 101118055   | 1    | PISTON DE FLUSSOSTAT                     |       |
| 4    | 107143121   | 2    | COMMUTATEUR MAGNETIQUE AVEC CABLE        |       |
| 5    | 101118033   | 4    | VIS M3X6 84 ISO 1207                     |       |
| 6    | 101118308   | 1    | CORPS DE CONTROLEUR DE DEBIT MH FA       |       |
| 8    | 1119566     | 2    | KIT REPARATION                           |       |
| 9    | 6201535     | 1    | SIEGE                                    |       |
| 10   | 1119318     | 1    | KIT REPARATION                           |       |
| 11   | 11654       | 2    | COLLIER D. 11,5                          |       |
| 12   | 101406100   | 0.92 | TUYAU 6X3 MM X 5 M                       |       |
| 13   | 101117896   | 1    | CLAPET ANTI RETOUR FLOW FA               | [1]   |
| 14   | 101118191   | 1    | KIT DE JOINT MALE STUD                   |       |
| 15   | 101118230   | 1    | KIT RACCORD F/SIEGE CLAPET AR 1/2"-M22X1 |       |
| 16   | 1807932     | 1    | ANNEAU DE JOINT                          |       |
| 17   | 6101038     | 1    | PISTON                                   |       |
| 18   | 107143155   | 1    | MAMELON CORPS DE PISTON 1/2" - M18X1.5   |       |
| 19   | 107143120   | 1    | TUBE POMPE/CONTROLEUR MH4 FA             |       |
| 20   | 107143117   | 1    | TUBE MH4 MFA CHAUDIERE B2,0              |       |
| 20   | 107143116   | 1    | TUBE MH4 MFA CHAUDIERE B2,5              | [2]   |
| 20   | 107143162   | 1    | TUYAU CONTR.DE FLUX NA5-F                | [3]   |
| 20   | 107143163   | 1    | PIPE FLOW CONTROL NA5-FA/BOILER B2       | [4]   |

## Part Notes:

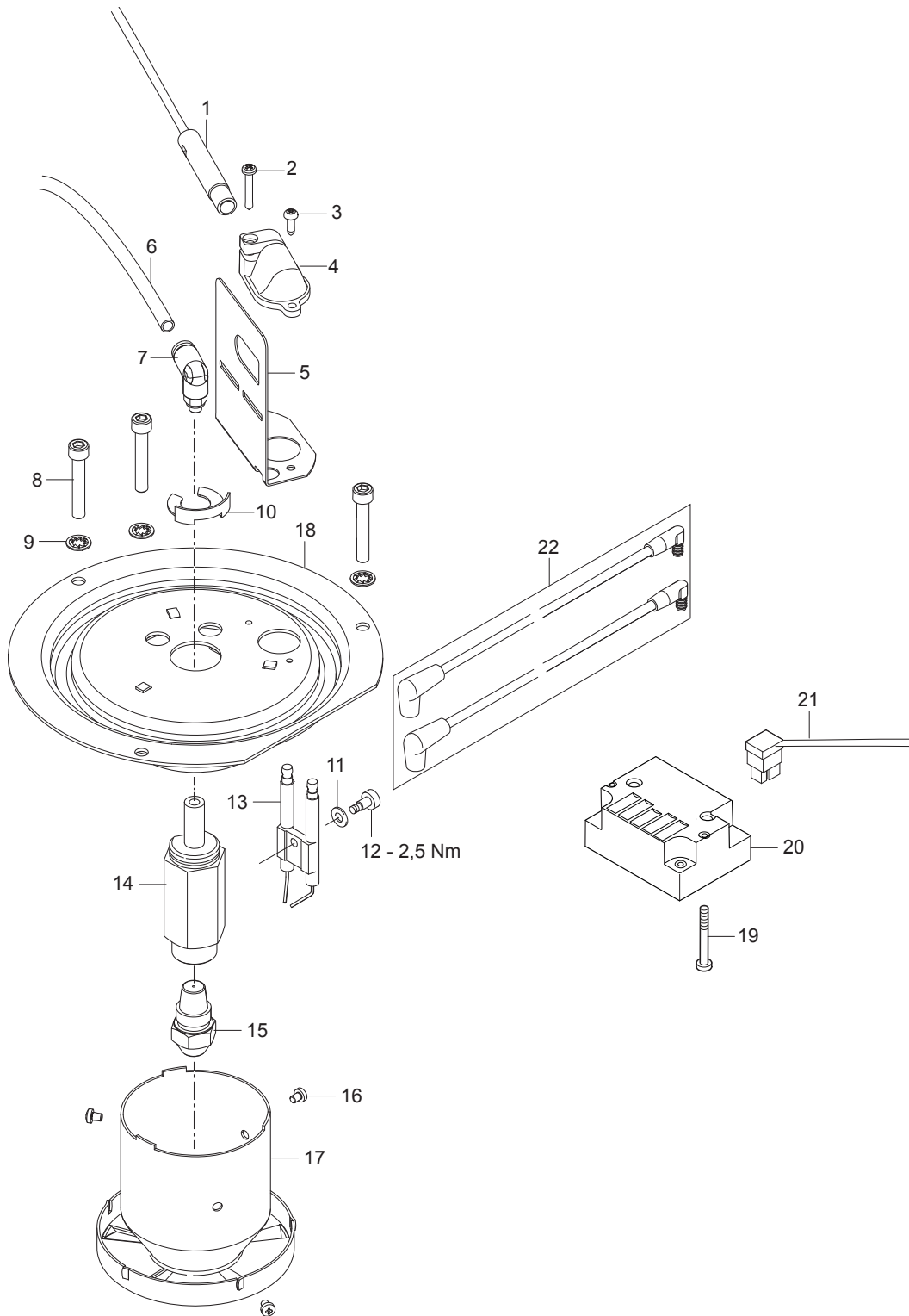
- [1] - TSB-PPW-2016-012 MH 4M FA None return valve 101117896 get stocked  
DE TSB-PPW-2016-012 MH 4M FA Strömungskolben 101117896 blockiert
- [2] - Up to Date  
Week 28 2017
- [3] - From date  
Week 28 2017
- [4] - From date  
Week 28 2017



| Pos. | Réf article | Qté | Désignation                              | Notes |
|------|-------------|-----|--|-------|
| 1    | 301000495   | 1   | CARTER DE VENTILATEUR                    |       |
| 2    | 301000852   | 1   | RECOUVREMENT                             |       |
| 3    | 32535       | 3   | VIS M5X16 ISO4762                        |       |
| 4    | 301000889   | 1   | VENTILATEUR                              |       |
| 4    | 301002126   | 1   | FAN WHEEL                                | [1]   |
| 5    | 107143179   | 1   | MOTOR BURNER 350W/110-120V/50/60HZ       | [2]   |
| 5    | 107143096   | 1   | MOTEUR DE BRULEUR - 0.23KW/230V/50HZ/1PH |       |
| 5    | 107143097   | 1   | MOTEUR BURNER 390W/200-240V/50/60HZ      | [1]   |
| 6    | 4697        | 2   | VIS M6X16                                |       |
| 7    | 101117707   | 1   | ENTRAINEMENT POMPE A FIOUL BFA01 L3L     |       |
| 8    | 3821089     | 1   | BOBINE                                   |       |
| 9    | 107143095   | 1   | CABLE POUR ELECTROVANNE 2X0.5            |       |
| 10   | 101117706   | 1   | COUDE 90° DE POMPE FUEL                  |       |
| 11   | 101117777   | 1   | TUYAU DE CONNECTION POMPE A HUILE BFA    |       |
| 12   | 106408244   | 1   | TUBE DE 5M D6X2.5                        |       |
| 13   | 301001133   | 2   | COLLIER D10/7                            |       |
| 14   | 301002926   | 1   | FILTRE                                   |       |
| 17   | 31001081    | 1   | FILTRE INTERNE POMPE DANFOSS             |       |
| 18   | 101117673   | 1   | POMPE A FUEL CPLT AVEC                   |       |

## Part Notes:

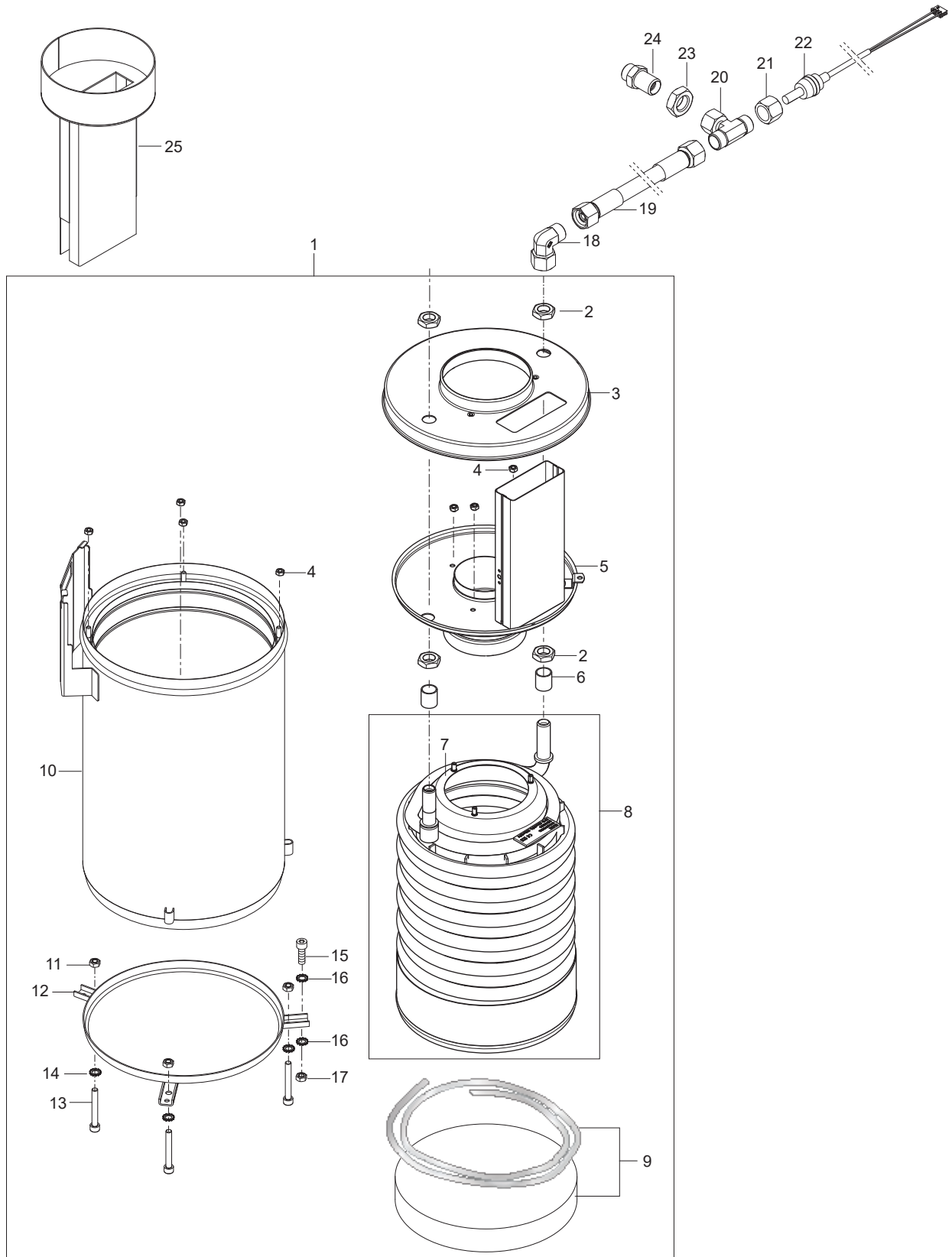
- [1] - JP, EXPT  
 [2] - MH 3C



| Pos. | Réf article | Qté | Désignation                       | Notes |
|------|-------------|-----|-----------------------------------|-------|
| 1    | 107143100   | 1   | SONDE DETECTION FLAMME AVEC CABLE |       |
| 2    | 5606        | 1   | BOLT WELD 10 24X 750L T           |       |
| 3    | 4036        | 1   | VIS 2.9X9.5                       |       |
| 4    | 301000934   | 1   | SUPPORT CELLULE FLAMME            |       |
| 5    | 107143101   | 1   | SHIELD FOR FLAME SENSOR           |       |
| 6    | 909100141   | 1   | TUYAU DE GAS-OIL 4X1 MM X 1 M     |       |
| 7    | 101117913   | 1   | RACCORD À VIS COUDÉ               |       |
| 8    | 3873        | 3   | VIS M5X30                         |       |
| 9    | 3376        | 3   | RONDELLE FREIN D 5                |       |
| 10   | 101117876   | 1   | CIRCLIP                           |       |
| 11   | 909100144   | 1   | RONDELLE                          |       |
| 12   | 909100143   | 1   | VIS M4X4.5                        |       |
| 13   | 301150009   | 1   | ELECTRODE                         |       |
| 14   | 101117915   | 1   | SUPPORT                           |       |
| 15   | 61659       | 1   | BUSE 1.25 GAL 60 Degrees          | [1]   |
| 15   | 2802712     | 1   | BUSE                              | [2]   |
| 15   | 301002856   | 1   | GICLEUR GO                        | [3]   |
| 16   | 51848       | 3   | VIS M3X4                          |       |
| 17   | 107143102   | 1   | AIR DISTRIBUTOR CPL.              | [1]   |
| 17   | 101117758   | 1   | DISTRIBUTEUR D AIR                | [2]   |
| 17   | 301002848   | 1   | DEVIATEUR AIR BRULEUR             | [3]   |
| 17   | 107145775   | 1   | AIR DISTRIBUTOR Ø 77.5            | [4]   |
| 18   | 101117757   | 1   | CAPOT BRULEUR                     |       |
| 19   | 909100149   | 2   | VIS K50X50                        |       |
| 20   | 101117759   | 1   | TRANSFORMATEUR HT                 | [5]   |
| 20   | 101117959   | 1   | COFI TRH2-30CU VD 120V 50/60HZ    | [6]   |
| 21   | 107143098   | 1   | CABLE ALIMENTATION                |       |
| 22   | 101118220   | 1   | KIT CABLES D ALLUMAGE 2 PIECES    |       |

## Part Notes:

- [1] - 66kW  
 [2] - 51kW  
 [3] - 40kW  
 [4] - to be used on B2.5 where the location is higher than 1000m above see level  
 [5] - TSB-PPW-2018-004 Boiler cannot start - no ignition  
 FR TSB-PPW-2018-004 Le bruleur ne démarre plus  
 DE TSB-PPW-2018-004 Brenner startet nicht - keine Zündung  
 [6] - US



| Pos. | Réf article | Qté | Désignation                           | Notes |
|------|-------------|-----|---------------------------------------|-------|
| 1    | 107143104   | 1   | HEAT EXCHANGER B2, MH                 |       |
| 1    | 107143106   | 1   | HEAT EXCHANGER B2 SS, MH              | [1]   |
| 2    | 7012        | 4   | ECROU M18X1.5                         |       |
| 3    | 101117768   | 1   | COUVERCLE CHAUDIERE B2/2.5            |       |
| 4    | 12263       | 4   | ECROU M6                              |       |
| 5    | 31001045    | 1   | INSIDE BOILER TOP B2                  |       |
| 6    | 301000582   | 2   | DOUILLE                               |       |
| 7    | 31000527    | 1   | CONE POUR SERPENTIN NEPTUNE 2         |       |
| 8    | 31001046    | 1   | COIL WELDED B2                        |       |
| 8    | 107143303   | 1   | SERPENTIN INOX B2                     | [2]   |
| 9    | 101117684   | 1   | KIT ISOLATION FOND DE CHAUDIERE       |       |
| 10   | 31001047    | 1   | BOILER JACKET B2                      |       |
| 11   | 2758        | 3   | ECROU M8                              |       |
| 12   | 31001044    | 1   | SUPPORT INFERIEUR CHAUDIERE B2/2.5    |       |
| 13   | 3453        | 3   | VIS M8X60                             |       |
| 14   | 1810274     | 3   | RONDELLE M8                           |       |
| 15   | 4697        | 3   | VIS M6X16                             |       |
| 16   | 107143146   | 6   | WASHER SERRATED M6                    |       |
| 17   | 11619       | 3   | ECROU M6 - 8 A2K DIN985               |       |
| 18   | 101118094   | 1   | PIÈCE DE RACCORDEMENT                 |       |
| 19   | 107143067   | 1   | FLEXIBLE HP 5/16 DN8NOIR W/2X DKL     |       |
| 20   | 101118093   | 1   | PIÈCE DE RACCORDEMENT                 |       |
| 21   | 1081        | 1   | CAPUCHON ECROU                        |       |
| 22   | 107143083   | 1   | SONDE DE TEMPERATURE PT100 AVEC CABLE |       |
| 23   | 1803220     | 1   | CONTRE-ECROU M18X1.5                  |       |
| 24   | 107143082   | 1   | OUTLET FITTING                        |       |
| 25   | 106403197   | 1   | ADAPTATEUR DE CHEMINEE D150MM         |       |

## Part Notes:

- [1] - NO LONGER AVAILABLE
- [2] - TSB-PPW-2017-011 Stainless Steel heat exchangers new stay material and new spare part numbers





| Pos. | Réf article | Qté | Désignation                              | Notes |
|------|-------------|-----|--|-------|
| C    | 107145780   | 1   | ENJOLIVEUR DE ROUE Ø300X65 (STARCO)      |       |
| C    | 46363       | 1   | FIXATION RAPIDE                          |       |
| C    | 107145637   | 1   | ROUE Ø300X65 (STARCO)                    |       |
| C    | 107143304   | 1   | KIT ROUE D250                            |       |
| B    | 106408244   | 1   | TUBE DE 5M D6X2.5                        |       |
| A    | 301002926   | 1   | FILTRE                                   |       |
| A    | 101117784   | 1   | VANNE FLOTTEUR                           |       |
| A    | 34218       | 1   | FILTRE                                   |       |
| B    | 106403194   | 1   | FILTRE DE RESERVOIR                      |       |
| B    | 107143033   | 1   | SONDE RESERVOIR DE FUEL                  |       |
| A    | 107144146   | 1   | HUILE DE POMPE NA5 1 LITR                |       |
| C    | 101118240   | 1   | KIT ROULEMENTS FA & PA NA5.2             |       |
| C    | 101118242   | 1   | KIT ROULEMENTS DISQ.OBLIQ.10.9 DEG.NA5.2 |       |
| C    | 101118243   | 1   | KIT ROULEMENTS DISQ.OBLIQ.10.2 DEG.NA5.2 |       |
| C    | 101118244   | 1   | KIT ROULEMENTS DISQ.OBLIQ.9.85 DEG.NA5.2 |       |
| C    | 101118245   | 1   | KIT ROULEMENTS DISQ.OBLIQ.9.5 DEG.NA5.2  |       |
| C    | 101118247   | 1   | KIT ROULEMENTS DISQ.OBLIQ.8.7 DEG.NA5.2  |       |
| C    | 101118246   | 1   | KIT ROULEMENTS DISQ.OBLIQ.8.4 DEG.NA5.2  |       |
| C    | 101118248   | 1   | KIT ROULEMENTS DISQ.OBLIQ.7.74 DEG.NA5.2 |       |
| C    | 101118249   | 1   | KIT ROULEMENTS DISQ.OBLIQ.7.2 DEG.NA5.2  |       |
| C    | 107144125   | 1   | VENTILATEUR                              |       |
| C    | 31000149    | 1   | ROULEMENT ARRIERE DE POMPE RF            |       |
| C    | G120414     | 1   | BAGUE D'ÉTANCHÉITÉ 30X47X7               |       |
| A    | 101118121   | 1   | JEU DE SOUPAPES                          |       |
| A    | 101118323   | 1   | KIT JOINTS D EAU                         |       |
| A    | 107144102   | 1   | JEU DE JOINTS DE PISTONS                 |       |
| A    | 101118239   | 1   | KIT PISTONS NA5.2                        |       |
| A    | 107144104   | 1   | JEU DE PIÈCES DE RESSORT                 |       |
| A    | 107141968   | 1   | VIS DE CULASSE M12X80 AVEC RONDELLE      |       |
| A    | 107141969   | 1   | RONDELLE NLX12SP D12.5XD25.4X4.2MM       |       |
| A    | 101118084   | 1   | BOÎTIER ÉLECTRIQUE                       |       |
| A    | 101118254   | 1   | CLAPET ANTI RETOUR POUR MONOPHASE        |       |
| A    | 101118294   | 1   | KIT REPARATION NA5/5.2/6/6+ PA           |       |
| A    | 101118315   | 1   | Kit clapet de recyclage petit débit      |       |
| A    | 101118314   | 1   | Kit clapet de recyclage gros débit       | [1]   |
| A    | 101118295   | 1   | KIT REP VANNE DE BYPASS POMPE NA5.2 PA   |       |
| A    | 101118055   | 1   | PISTON DE FLUSSOSTAT                     |       |
| A    | 107143121   | 1   | COMMUTATEUR MAGNETIQUE AVEC CABLE        |       |
| A    | 101117896   | 1   | CLAPET ANTI RETOUR FLOW FA               |       |
| A    | 101118191   | 1   | KIT DE JOINT MALE STUD                   |       |
| A    | 1119566     | 1   | KIT REPARATION                           |       |
| A    | 106403194   | 1   | FILTRE DE RESERVOIR                      |       |
| A    | 31001100    | 1   | CARTAOUCHE FILTRANTE                     |       |
| C    | 107143044   | 1   | CARTE PCBA NEO UI LED CPL. MH            |       |
| C    | 28877       | 1   | INTERRUPTEUR                             |       |
| A    | 107143151   | 1   | CARTE ELECTRONIQUE MH                    |       |
| C    | 107143051   | 1   | TRANSFORMATEUR 230/400V 2X24V NEO        |       |
| C    | 107143064   | 1   | TRANSFORMATEUR 220-240V/440-460V NEO     |       |
| C    | 107143068   | 1   | TRANSFORMATEUR DE PUISSANCE 115 / 200V   |       |
| B    | 107307326   | 1   | CONNECTEUR 6 FICHES PLATES MALES         |       |
| B    | 103822313   | 1   | CONTACTEUR ÉLECTROMAGNÉTIQUE 100-C23KJ10 |       |
| B    | 103822316   | 1   | CONTACTOR CJX2-D32-F7 110V               |       |
| B    | 103822327   | 1   | RELAIS THERMIQUE 12-18A                  |       |
| C    | 107143098   | 1   | CABLE ALIMENTATION                       |       |
| C    | 301002505   | 1   | CABLE HAUTE TENSION                      | [2]   |
| B    | 107143100   | 1   | SONDE DETECTION FLAMME AVEC CABLE        |       |
| C    | 107143033   | 1   | SONDE RESERVOIR DE FUEL                  |       |
| A    | 301002856   | 1   | GICLEUR GO                               |       |
| A    | 2802712     | 1   | BUSE                                     |       |

| Pos. | Réf article | Qté | Désignation                     | Notes |
|------|-------------|-----|---------------------------------|-------|
| A    | 61659       | 1   | BUSE 1.25 GAL 60 Degrees        |       |
| C    | 101117723   | 1   | SONDE DE SURCHAUFFE             |       |
| A    | 31001042    | 1   | ISOLANT CHAUDIERE B2.5 MH4      |       |
| A    | 101117684   | 1   | KIT ISOLATION FOND DE CHAUDIERE |       |
| A    | 101117673   | 1   | POMPE A FUEL CPLT AVEC          |       |
| B    | 3821089     | 1   | BOBINE                          |       |
| B    | 107143095   | 1   | CABLE POUR ELECTROVANNE 2X0.5   |       |
| A    | 107143123   | 1   | VIS PIVOT POUR ENROULEUR        |       |
| A    | 62696       | 1   | ECROU HEX M24X1.5X6             |       |
| A    | 107143017   | 1   | JOINT RETOUR Ø15.6XØ20X1.5 PTFE |       |
| A    | 19620       | 1   | JOINT TORIQUE 15.0 X2.65        |       |
| A    | 1802057     | 1   | ANNEAU SEEGER 20X1.0            |       |

## Part Notes:

- [1] - TSB-PPW-2020-001 MH 4\_MH 5M Damper Valve removed  
[2] - STOCK COVERS GUARANTEE

