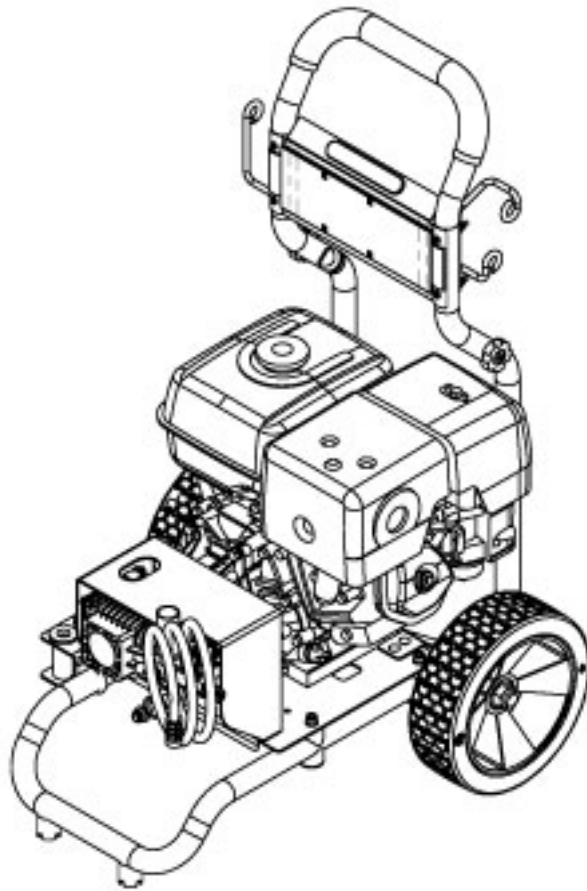


# PARTS LIST

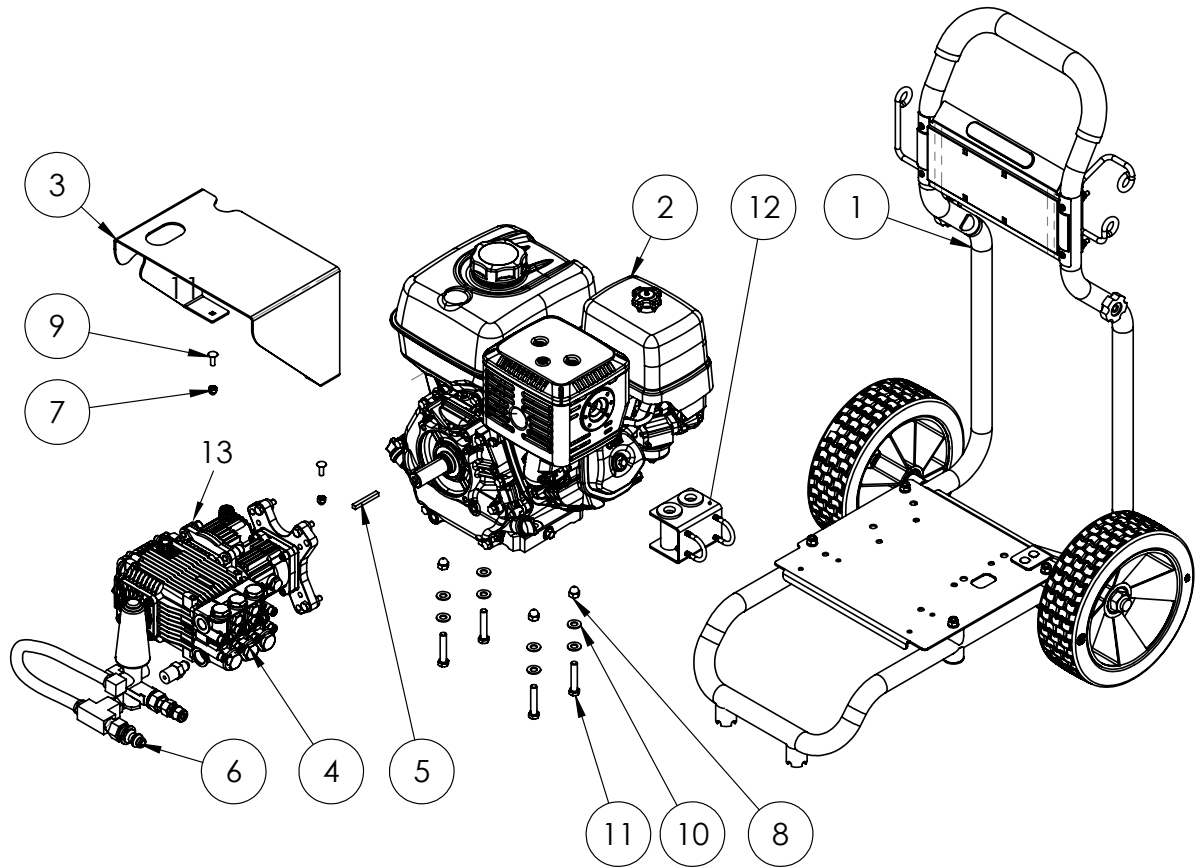


2021.05.27

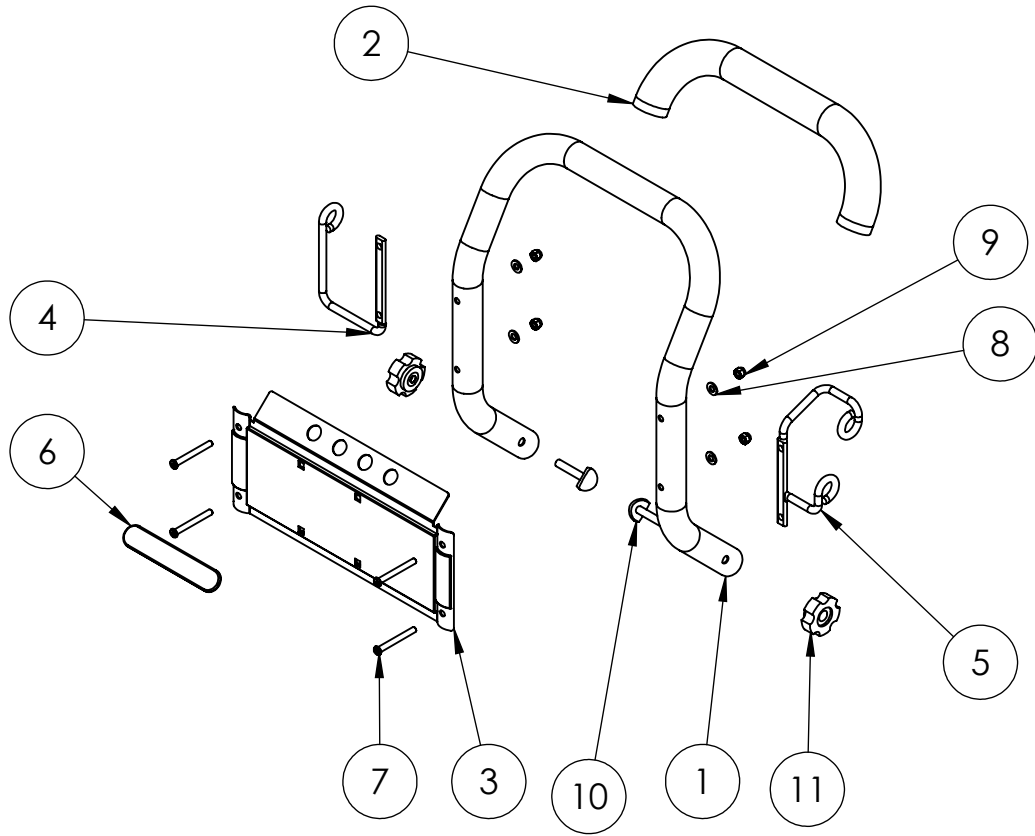
# TABLE OF CONTENTS

---

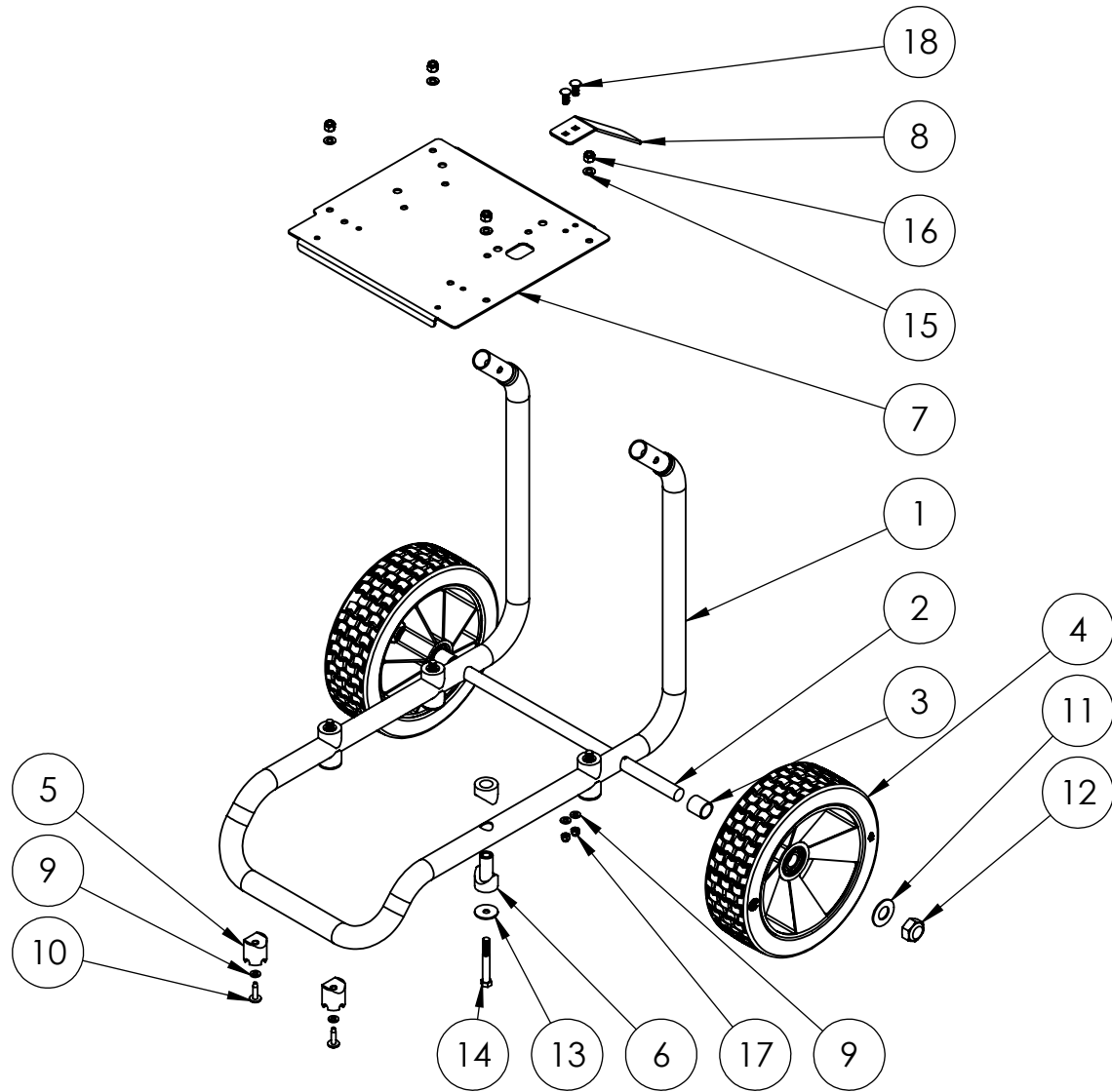
Overview .....	1
Handle .....	3
Chassis .....	5
Unloader .....	7
Pump_MC 5M .....	9



Pos.	Réf article	Qté	Désignation	Notes
1		1	FRAME, LARGE TIP BACK	
2		1	Eng., Honda, Commercial, GX390	
3	31001241	1	PUMP GUARD MC 5M PLUS GEAR	
4		1	PUMP, RKA4G40NL, 1690 GEAR	
5		1	KEY, DRIVE, 1/4 X 2	
6	31001258	1	PLUMBING KIT NILFISK GEAR DRIVE	
7	31000710	2	ECROU NYLSTOP 1/4-20	
8	31000712	4	ECROU NYLSTOP 3/8-16	
9	31000692	2	VIS TRCC 1/4-20X3/4	
10	31000706	8	RONDELLE INOX 3/8	
11		4	HHCS, USS, GR5, 3/8-16 X 2	
12	31001242	1	DUAL LANCE HOLDER ASSEMBLY	
13	31001312	1	FLANGE - BEARING COVER	
13A	31001314	1	O-RING 107.67X1.78	
13B	31001313	1	O-RING	

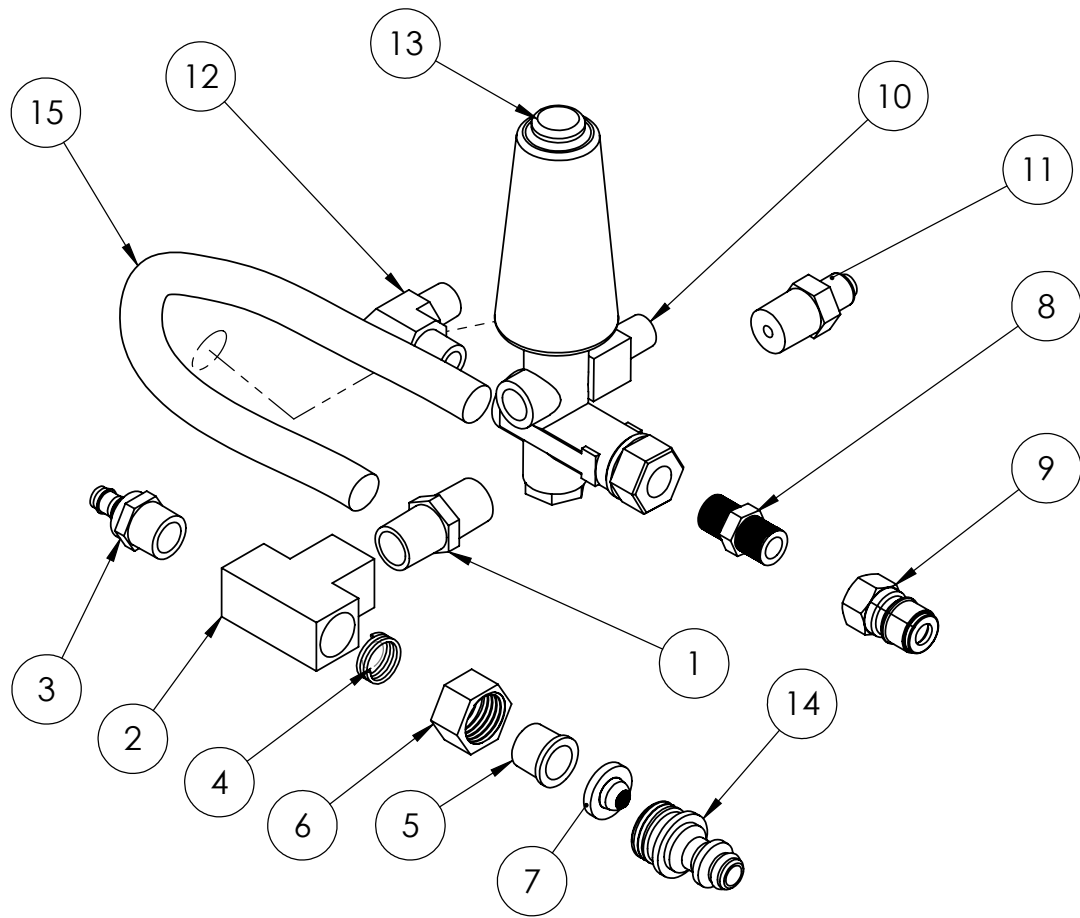


Pos.	Réf article	Qté	Désignation	Notes
1		1	HANDLE, TUBE	
2		1	FOAM GRIP	
3		1	NOZZLE BRACKET	
4	31001238	1	HANGER F. HOSE	
5	31001239	1	HANGER F. GUN	
6		1	GROMMET, BLACK RUBBER, 4 HOLE	
7		4	BHCS, M6-1 X 55	
8		4	FLAT WASHER, M6	
9		4	NYLON LOCK NUT, M6-1	
10	31001233	2	SADDLE BOLT M8-1 X 45 MM	
11	31001237	2	KNOB M8-1	

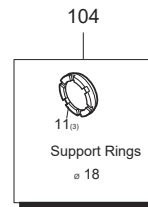
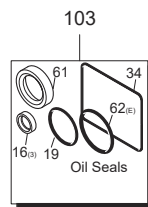
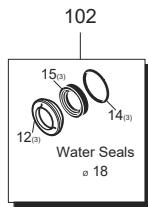
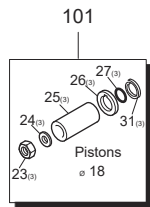
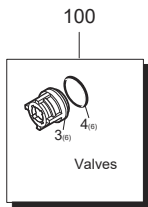
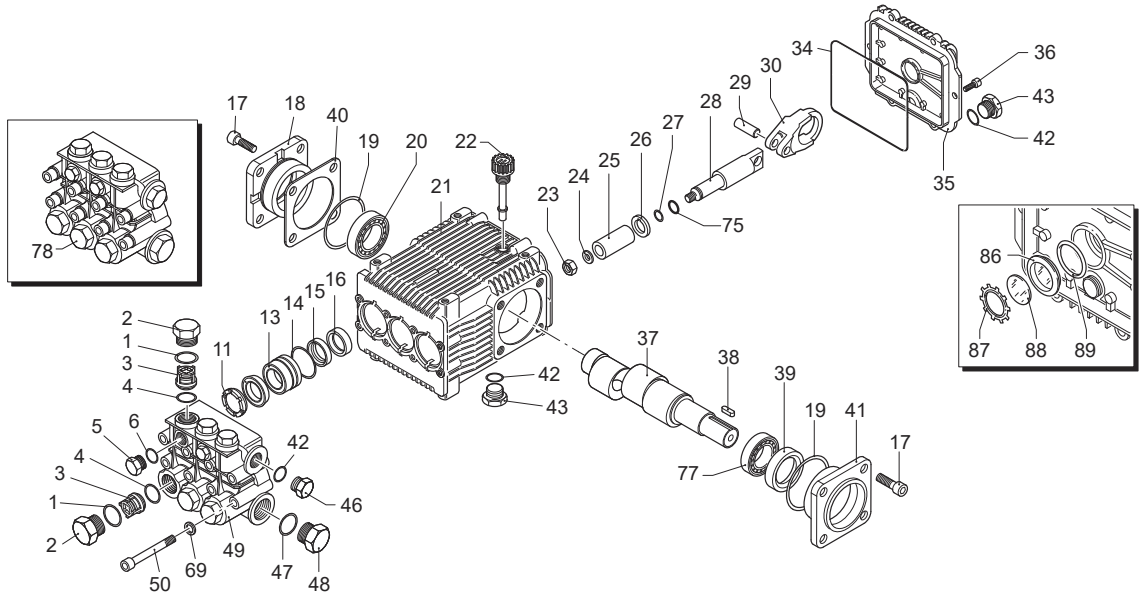


Pos.	Réf article	Qté	Désignation	Notes
1		1	FRAME, BASE TUBE	
2		1	AXLE, 545MM, THREADED	
3	31001234	2	SPACER F. WHEEL	
4	31001235	2	KIT ROUE LIBRE 10.3 INCH	
5	31001236	2	RUBBER FOOT	
6	31001240	4	VIBRATION ISOLATOR 60 DURO	
7		1	BASE PLATE	
8		1	KICK STAND	
9		4	FLAT WASHER, M6	
10		2	1/4-20 X 1 TORX SCREW	
11		2	FLAT WASHER, 19MM	
12		2	3/4-16 NYLON LOCK NUT	
13		4	FLAT WASHER, M8 X 32	
14		4	HEX BOLT, M8-1 X 70	
15		4	FLAT WASHER, M8	
16		4	NYLON LOCK NUT, M8-1	
17		2	NYLON LOCK NUT, M6-1	
18		2	M6-1 X 20MM CARRIAGE BOLT	





Pos.	Réf article	Qté	Désignation	Notes
1		1	HEX NIPPLE, 1/2"	
2		1	T, FEMALE, 1/2"	
3		1	MALE PO HOSE BARB 1/2 MPT X 3/8	
4	31000869	1	RESSORT	
5		1	GARDEN HOSE ADAPTER, 1/2" NPTM	
6	31000868	1	ECROU	
7	31000802	1	JOINT	
8		1	HEX NIPPLE, HP 6MP X 6MP	
9	1600493	1	RACCORD RAPIDE MALE HP EN 3/8	
10		1	HOSE BARB, PUSH ON, EL, 3/8 X 3/8	
11	31001264	1	THERMOSENSOR 1/2 MPT 140F	
12		1	HP ST ELL 90 6MP X 6MP	
13	31000807	1	VANNE BY-PASS 4500 PSI W/EZ	
14	31001243	1	CONNECTEUR RAPIDE MALE	
15		1	Hose, Lock-on, 3/8" 6LOLA Plus	



Pos.	Réf article	Qté	Désignation	Notes
0	31001274	1	COMPLETE PUMP MC 5M	
1	103004342	6	JOINT TORIQUE 17.86X2.62	
2	31000606	6	VALVE CAP - SS	
3		6	Part of Position 100	
4		6	Part of Position 100	
5	31000618	2	PLUG 1/4 INCH	
6	301003043	2	JOINT TORIQUE D.10,82X1,78	
11		3	Part of Position 104	
12		3	Part of Position 102	
13	301001154	3	DOUILLE	
14		3	Part of Position 102	
15		3	Part of Position 102	
16		3	Part of Position 103	
17	106522511	8	VIS M8X16	
18	31000615	1	CAGE DE ROULEMENT	
19		2	Part of Position 103	
20	909100163	1	ROULEMENT	
21	31000621	1	PUMP HOUSING	
22	31000605	1	BOUCHON HUILE	
23	909100167	3	ÉCROU À SIX PANS M8	
24	909100165	3	ANNEAU DE JOINT	
25		3	Part of Position 101	
26	301001139	3	RONDELLE D'ÉCARTEMENT	
27		3	Part of Position 101	
28	301001156	3	GUIDE-PISTON	
29	301001138	3	BOULON	
30	301001168	3	BIELLE	
34		1	Part of Position 103	
35	31000629	1	CRANKCASE COVER COMPLETE	
36	31000613	6	BOLT M6X14	
37	31000635	1	CRANKSHAFT 24MM	
38	31000616	1	KEY 8X7X25 UNI 6604-69 DIN 6885	
39	31000595	1	JOINT HUILE 25X45X10	
40	301001140	3	RONDELLE D'AJUSTAGE 0,05 MM	
40	301001141	3	RONDELLE D'AJUSTAGE 0,1 MM	
40	301001142	3	RONDELLE D'AJUSTAGE 0,25 MM	
40	301001143	3	ENTRETOISE 80X80X0.25	
41	31000614	1	OPEN BEARING SUPPORT	
42	31000597	3	JOINT TORIQUE Ø14X1.78	
43	301001135	2	BOUCHON FILETÉ	
46	31000632	1	PLUG 3/8 INCH G NP	
47	31000594	1	O-RING Ø17.5X2	
48	31000607	1	PRISE 1/2 INCH G	
49	31000619	1	TETE DE POMPE Ø18 NP	
50	31000602	8	HEAD BOLT M8X70	
69	31000620	8	WASHER	
75	49900	3	BAGUE 8.0X11.0X1.0	
77	31001267	1	ROLLER BEARING 30205 DIN 720	
78	31000623	1	COMPLETE PUMP HEAD Ø18 NP	
86	31000610	1	OIL SIGHT GLASS	
87	31000611	1	SNAP RING ZJ 25	
88	31000628	1	CONTRAST DISC	
89	31000608	1	O-RING Ø20.24X2.62	
100	31001268	1	VALVE KIT 6 PCS	
101	31000582	1	PISTONS Ø18 3 UNITES	
102	31000574	1	KIT JOINTS D EAU Ø18 3 PCS	
103	31000573	1	KIT JOINTS HYDAULIQUE	
104	31000572	1	KIT SUPPORTS DE JOINT Ø18 3 PCS	

