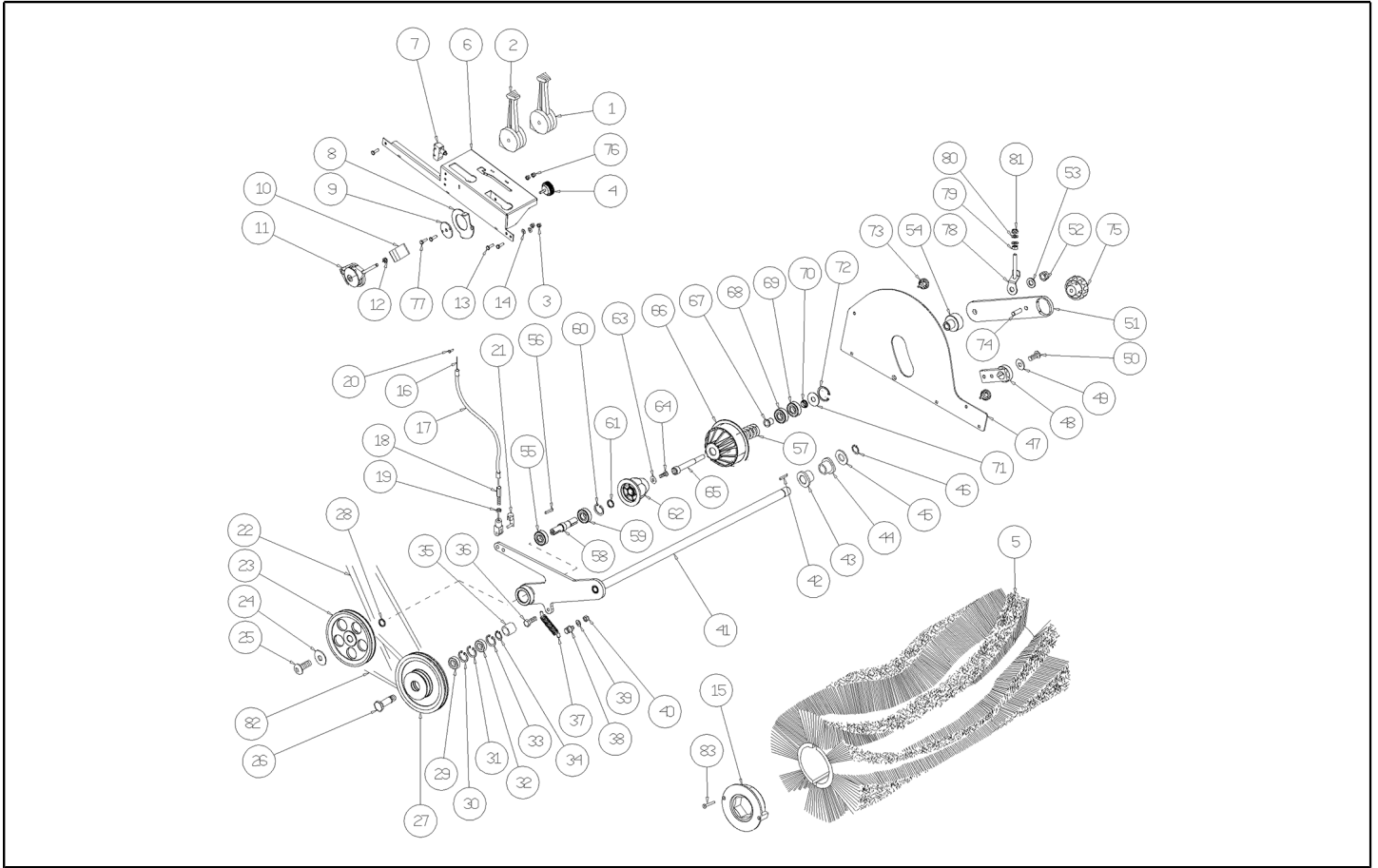


**IPC**

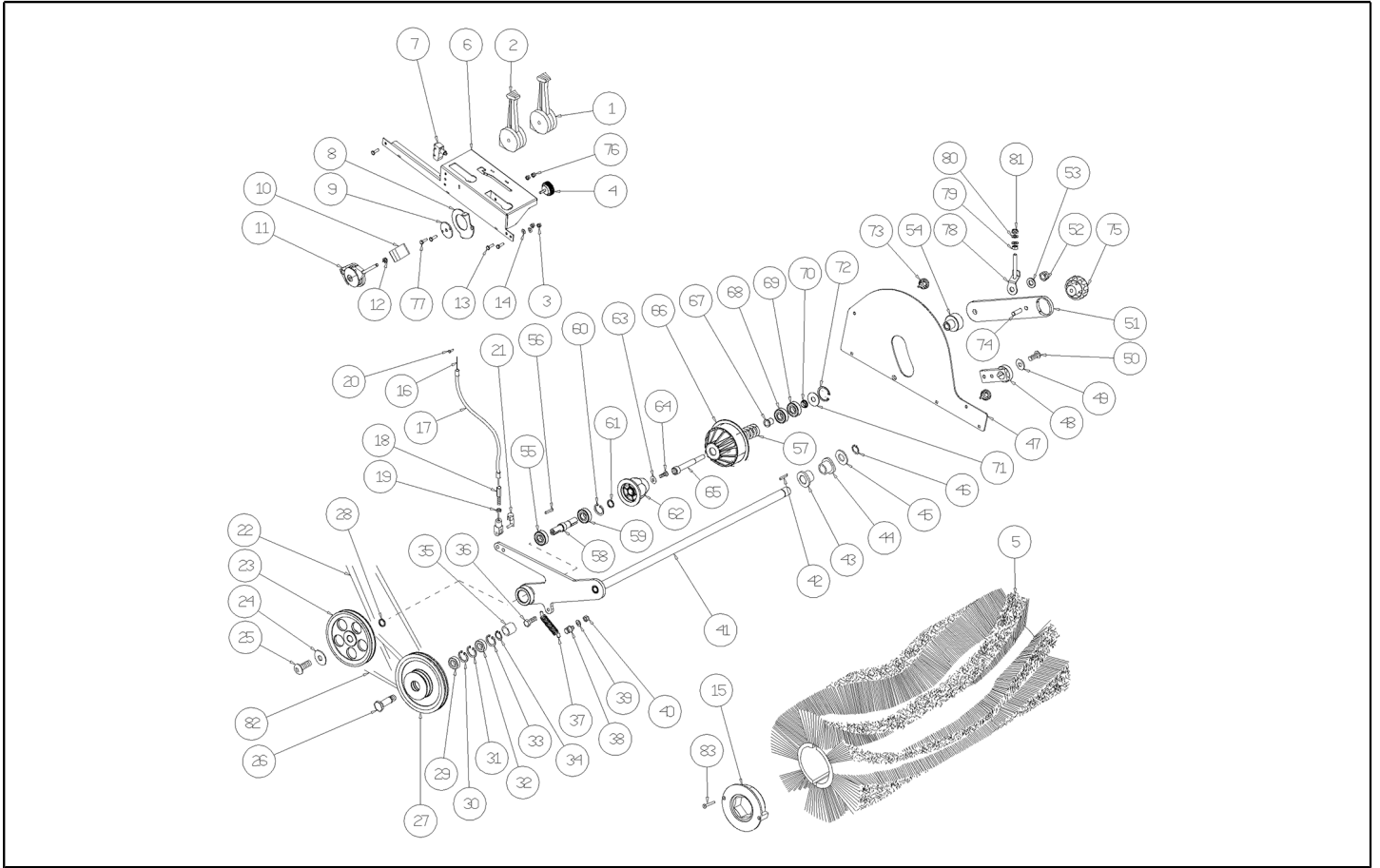
## **Spare Parts List**

Ref: MSUB00624

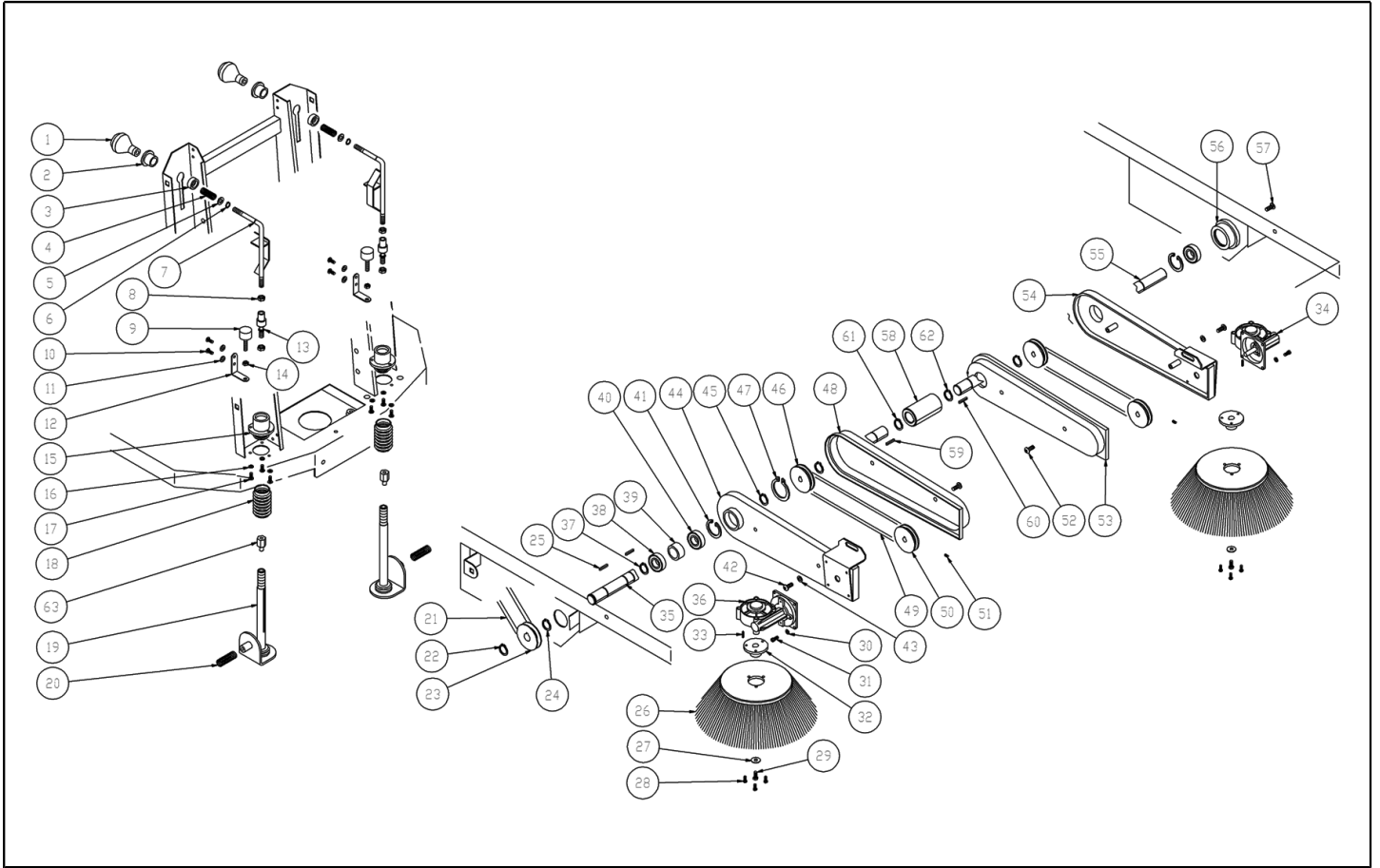
Model: BALAYEUSE 1280 D F.SAC. GR/VE 2SP



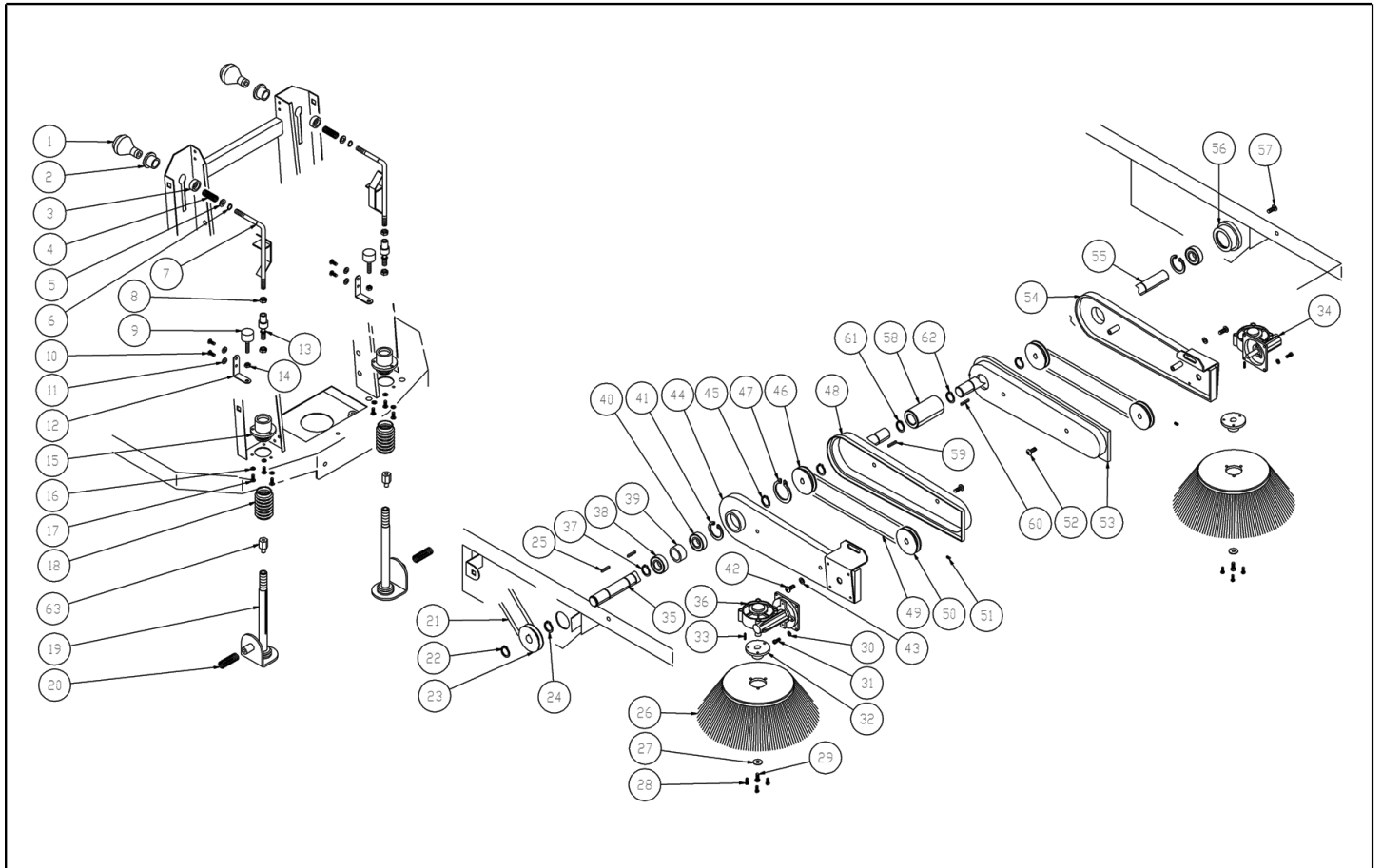
| Ref. K | Part N.   | Part N. 2 | Description                        | Quantity | Validity |    | Price |
|--------|-----------|-----------|------------------------------------|----------|----------|----|-------|
|        |           |           |                                    |          | From     | To |       |
| 0001   | LAFN87159 |           | LEVIER                             | 1,00     |          |    | --    |
| 0002   | LAFN87160 |           | LEVIER                             | 1,00     |          |    | --    |
| 0003   | VTDD00491 |           | ECROU M 6 TEF                      | 2,00     |          |    | --    |
| 0004   | VTVT00125 |           | PETIT VOLANT D.40 M6X15            | 1,00     |          |    | --    |
| 0005   | SPPV75791 |           | BROSSE CENTRALE 680X280mm          | 1,00     |          |    | --    |
| 0006   | LAFN08172 |           | TOLE TK1000                        | 1,00     |          |    | --    |
| 0007   | MECI75801 |           | MICROINTERRUPT. TK                 | 1,00     |          |    | --    |
| 0008   | LAFN08186 |           | TOLE -                             | 1,00     |          |    | --    |
| 0009   | LAFN08176 |           | EPAISSEUR -                        | 1,00     |          |    | --    |
| 0010   | CMCV33356 |           | LEVIER MANOEUV. INOX C/POM.SX NRO  | 1,00     |          |    | --    |
| 0011   | CMCV33356 |           | LEVIER MANOEUV. INOX C/POM.SX NRO  | 1,00     |          |    | --    |
| 0012   | VTDD00483 |           | ECROU M 8 ZIN UNI 5588             | 1,00     |          |    | --    |
| 0013   | VTVT62920 |           | VIS TE FR 6X16 ZB ZIGRINATE        | 3,00     |          |    | --    |
| 0014   | VTRS00504 |           | RONDELLE D. 8 ZC. UNI 6592         | 2,00     |          |    | --    |
| 0015   | LAFN45099 |           | DISQUE D'ENTR. CENTRAL BRUSH       | 1,00     |          |    | --    |
| 0016   | CMCV00451 |           | CABLE STEEL MAIN BRUSH LIFTING     | 1,00     |          |    | --    |
| 0017   | CMCV47132 |           | GAINE L.14 A.FLAP                  | 1,00     |          |    | --    |
| 0018   | LAFN76659 |           | PIVOT                              | 1,00     |          |    | --    |
| 0019   | VTDD86871 |           | ECROU UNI 5589 M7 ZB               | 1,00     |          |    | --    |
| 0020   | VTVT34115 |           | VIS TE M 5X 10 UNI 5739            | 1,00     |          |    | --    |
| 0021   | CMCV57518 |           | AGRAFE UNI 1676 M8                 | 1,00     |          |    | --    |
| 0022   | MTCG00140 |           | COURROIE -                         | 1,00     |          |    | --    |
| 0023   | MTPL75998 |           | POULIE CENTRAL BRUSH ACTIVATION    | 1,00     |          |    | --    |
| 0024   | VTRS00513 |           | RONDELLE UNI 6593 8X32X2,5 ZB      | 1,00     |          |    | --    |
| 0025   | VTVT87271 |           | VIS TBCE ISO 7380 8X16 ZB          | 1,00     |          |    | --    |
| 0026   | LAFN00465 |           | PIVOT FISSAG.PULEGGIA RINVIO       | 1,00     |          |    | --    |
| 0027   | MTPL00017 |           | POULIE DI RINVIO TK1000S           | 1,00     |          |    | --    |
| 0028   | LAFN06823 |           | ENTRETOISE L.14                    | 1,00     |          |    | --    |
| 0029   | CUVR00005 |           | ROULEMENT 6202 2RS                 | 1,00     |          |    | --    |
| 0030   | VTAE17002 |           | BAGUE D'ARRET D. 35 UNI 7437       | 1,00     |          |    | --    |
| 0031   | VTAE17002 |           | BAGUE D'ARRET D. 35 UNI 7437       | 1,00     |          |    | --    |
| 0032   | CUVR00005 |           | ROULEMENT 6202 2RS                 | 1,00     |          |    | --    |
| 0033   | VTAE17002 |           | BAGUE D'ARRET D. 35 UNI 7437       | 1,00     |          |    | --    |
| 0034   | VTAE17003 |           | BAGUE D'ARRET ESTERNO DIN 471 D.15 | 1,00     |          |    | --    |
| 0035   | LAFN00091 |           | DOUILLE PER PULEGGIA TRAINO        | 1,00     |          |    | --    |
| 0036   | VTVT63129 |           | VIS TE FR 8X16 ZB ZIGRINATE        | 1,00     |          |    | --    |
| 0037   | MLML87162 |           | RESSORT D. 17X150 X 2              | 1,00     |          |    | --    |
| 0038   | LAFN00464 |           | PIVOT MOLLA RITORN.SPAAZ.CENTR.    | 1,00     |          |    | --    |
| 0039   | VTRS00504 |           | RONDELLE D. 8 ZC. UNI 6592         | 1,00     |          |    | --    |
| 0040   | VTDD00124 |           | ECROU M8 DIN985                    | 1,00     |          |    | --    |
| 0041   | LAFN08197 |           | BRAS -                             | 1,00     |          |    | --    |
| 0042   | VTVR28706 |           | CLE UNI 6604 6X6X20                | 1,00     |          |    | --    |
| 0043   | MPVR85319 |           | DOUILLE SW1000 NYL 21101013        | 1,00     |          |    | --    |
| 0044   | MPVR85319 |           | DOUILLE SW1000 NYL 21101013        | 1,00     |          |    | --    |



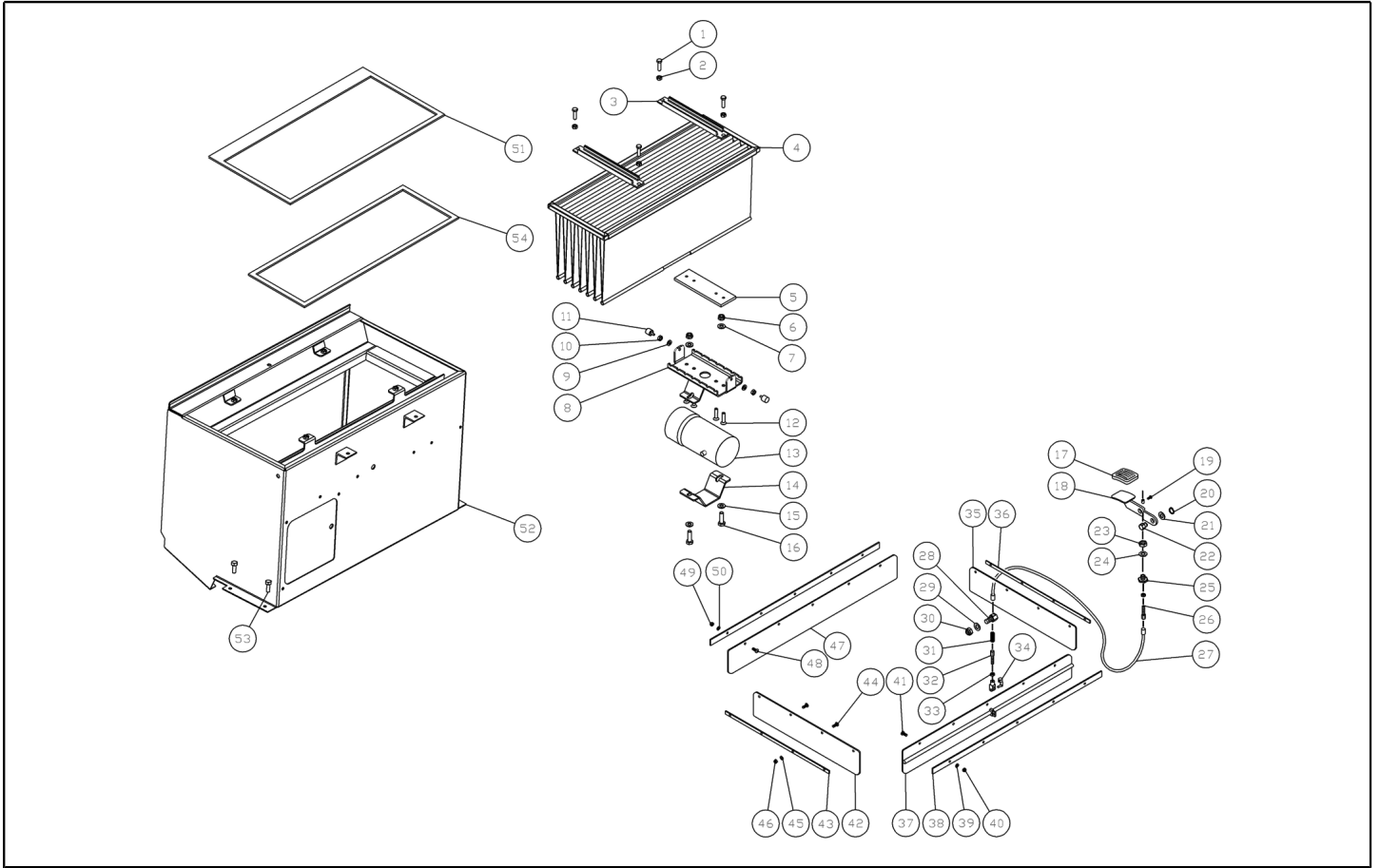
| Ref. K | Part N.   | Part N. 2 | Description                       | Quantity | Validity   |            | Price |
|--------|-----------|-----------|-----------------------------------|----------|------------|------------|-------|
|        |           |           |                                   |          | From       | To         |       |
| 0045   | VTRS00509 |           | RONDELLE D.20 PIANA Z. UNI6592    | 1,00     |            |            | --    |
| 0046   | VTAE06193 |           | BAGUE D'ARRET D. 20 UNI 7435      | 1,00     |            |            | --    |
| 0047   | LAFN36064 |           | FERMETURE BRUSH COMPARTMENT       | 1,00     |            |            | --    |
| 0048   | LAFN00699 |           | BLOCAGE BRACCIO BLOC.SPAZZ.TK1000 | 1,00     |            |            | --    |
| 0049   | VTRS00514 |           | RONDELLE UNI 6593 10X30X2,5 ZB    | 1,00     |            |            | --    |
| 0050   | VTVT47025 |           | VIS TBCE ISO 7380 10X16 ZB        | 1,00     |            |            | --    |
| 0051   | LAFN08193 |           | BRAS -                            | 1,00     |            |            | --    |
| 0052   | VTDD00012 |           | ECROU AUTOBLOK DIN 985 M12 ZB     | 1,00     |            |            | --    |
| 0053   | VTRS00506 |           | RONDELLE D.12 UNI 6592            | 1,00     |            |            | --    |
| 0054   | LAFN06836 |           | PIVOT CENTRAGGIO PROTEZIONE       | 1,00     |            | 03/09/2015 | --    |
| 0054   | LAFN09473 |           | DOUILLE -                         | 1,00     | 04/09/2015 |            | --    |
| 0055   | CUVR17004 |           | ROULEM.A BILLES 6202 -2RS1        | 1,00     |            |            | --    |
| 0056   | VTVR13165 |           | CLE UNI 6604 5X5X20               | 1,00     |            |            | --    |
| 0057   | MLML00295 |           | RESSORT SPAZZOLA CENTRALE         | 1,00     |            |            | --    |
| 0058   | LAFN08198 |           | ARBRE -                           | 1,00     |            |            | --    |
| 0059   | CUVR17004 |           | ROULEM.A BILLES 6202 -2RS1        | 1,00     |            |            | --    |
| 0060   | VTAE17002 |           | BAGUE D'ARRET D. 35 UNI 7437      | 1,00     |            |            | --    |
| 0061   | LAFN06823 |           | ENTRETOISE L.14                   | 1,00     |            |            | --    |
| 0062   | MPVR04915 |           | MOYEU CENTRAL BRUSH 1404          | 1,00     |            |            | --    |
| 0063   | VTRS04026 |           | RONDELLE D. 6X18X2.38             | 1,00     |            |            | --    |
| 0064   | VTVT62920 |           | VIS TE FR 6X16 ZB ZIGRINATE       | 1,00     |            |            | --    |
| 0065   | VTVT01128 |           | VIS TCCE UNI 5931 12X120 ZB       | 1,00     |            |            | --    |
| 0066   | MPVR04923 |           | SUPPORT SPAZZOLA CENTRALE         | 1,00     |            |            | --    |
| 0067   | LAFN06782 |           | DOUILLE PER CUSCINETTO            | 1,00     |            |            | --    |
| 0068   | CUVR17004 |           | ROULEM.A BILLES 6202 -2RS1        | 1,00     |            |            | --    |
| 0069   | CUVR17004 |           | ROULEM.A BILLES 6202 -2RS1        | 1,00     |            |            | --    |
| 0070   | LAFN06783 |           | DOUILLE PER CUSCINETTO 1          | 1,00     |            |            | --    |
| 0071   | VTRS00553 |           | RONDELLE PARAPOLVERE              | 1,00     |            |            | --    |
| 0072   | VTAE17002 |           | BAGUE D'ARRET D. 35 UNI 7437      | 1,00     |            |            | --    |
| 0073   | RTRT00022 |           | PETIT VOLANT D.30 M6X15           | 1,00     |            |            | --    |
| 0074   | VTVT00046 |           | VIS SANS TETE UNI 5923 8X35 ZB    | 1,00     |            |            | --    |
| 0075   | VTVR00047 |           | PETIT VOLANT D.50 M8              | 1,00     |            |            | --    |
| 0076   | VTDD00491 |           | ECROU M 6 TEF                     | 2,00     |            |            | --    |
| 0077   | VTVT00444 |           | VIS TE 6X20 UNI5739               | 2,00     |            |            | --    |
| 0078   | LAFN08826 |           | REGLEUR -                         | 1,00     | 19/05/2015 |            | --    |
| 0079   | VTDD00483 |           | ECROU M 8 ZIN UNI 5588            | 1,00     | 19/05/2015 |            | --    |
| 0080   | VTRS00504 |           | RONDELLE D. 8 ZC. UNI 6592        | 2,00     | 19/05/2015 |            | --    |
| 0081   | VTDD00124 |           | ECROU M8 DIN985                   | 1,00     | 19/05/2015 |            | --    |
| 0082   | MTCG00138 |           | COURROIE XPZ ESEC.6T 6B LP758     | 1,00     |            |            | --    |
| 0083   | VTVT01705 |           | VIS 4X45 UNI 9709                 | 2,00     |            |            | --    |



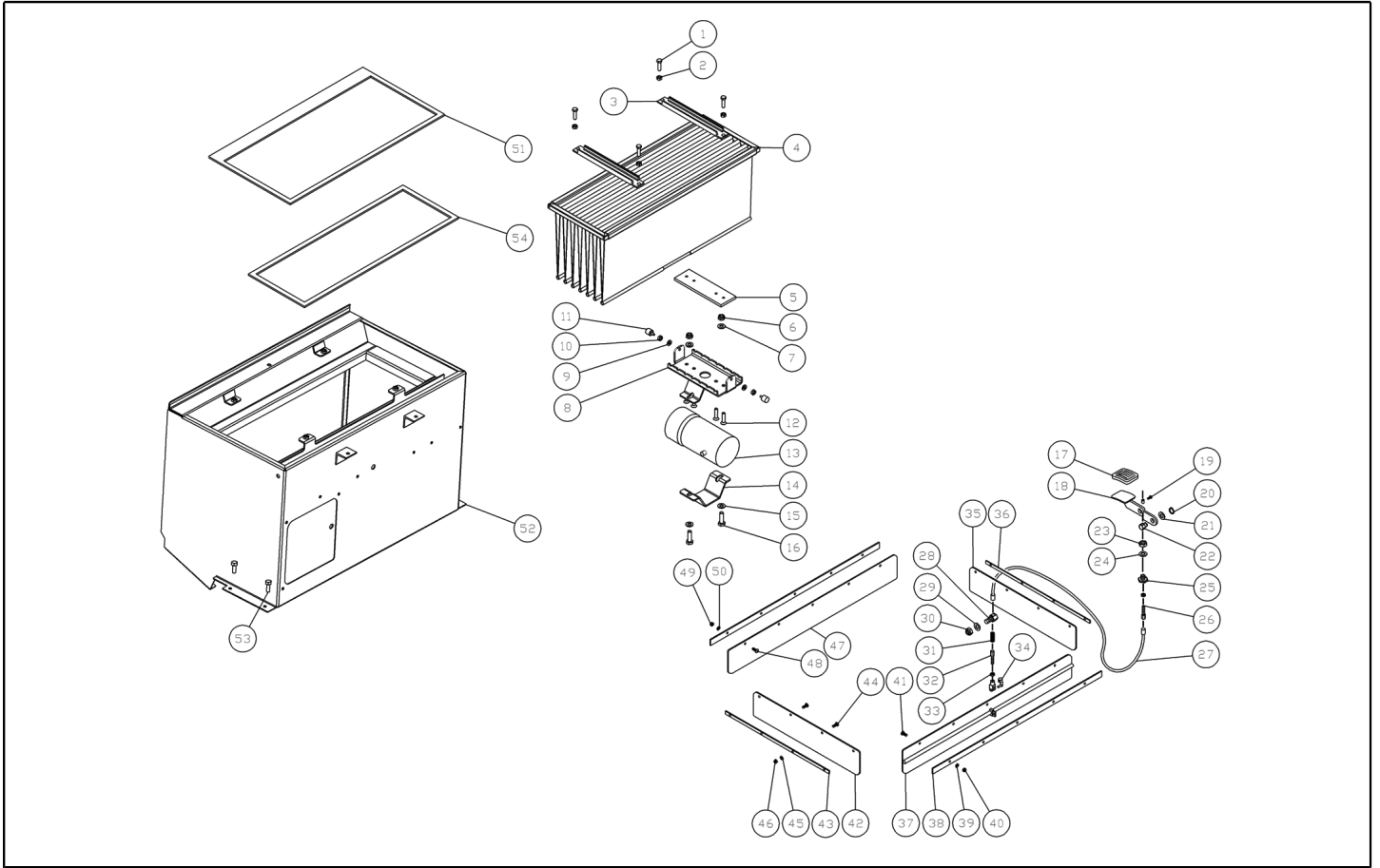
| Ref. K | Part N.   | Part N. 2 | Description                          | Quantity | Validity   |            | Price |
|--------|-----------|-----------|--------------------------------------|----------|------------|------------|-------|
|        |           |           |                                      |          | From       | To         |       |
| 0001   | MPVR87264 |           | POIGNEE ALZASPAZZ.LAT.TK1000         | 2,00     |            |            | --    |
| 0002   | MPVR47076 |           | DOUILLE L.14 EXT.                    | 2,00     |            |            | --    |
| 0003   | MPVR47074 |           | DOUILLE L.14 INT.                    | 2,00     |            |            | --    |
| 0004   | MLML47075 |           | RESSORT D.15X 24 X1.5                | 2,00     |            |            | --    |
| 0005   | VTRS00505 |           | RONDELLE D.10 UNI 6592               | 2,00     |            |            | --    |
| 0006   | VTAE87276 |           | SEEGER EXT. D10 DIN471               | 2,00     |            |            | --    |
| 0007   | LAFN00700 |           | BRAS DX ALZA SPAZ. TK1000 ZINC       | 2,00     |            |            | --    |
| 0008   | VTDD00484 |           | ECROU M10 ZIN UNI 5588               | 2,00     |            | 29/12/2014 | --    |
| 0008   | VTDD00008 |           | ECROU M10 UNI 5589 ZB                | 4,00     | 30/12/2014 |            | --    |
| 0009   | MPVR75799 |           | PETIT PIED 20x9 M 6x18               | 2,00     |            | 29/12/2014 | --    |
| 0009   | ABGO00008 |           | AMORTISSEUR PM 20X20 M6X20           | 2,00     | 30/12/2014 |            | --    |
| 0010   | VTVT75726 |           | VIS TBCE ISO 7380 6X16 ZB            | 4,00     |            |            | --    |
| 0011   | VTRS04026 |           | RONDELLE D. 6X18X2.38                | 4,00     |            |            | --    |
| 0012   | MPVR86579 |           | SUPPORT TK                           | 2,00     |            |            | --    |
| 0013   | VTVR47072 |           | JOINT A ROTULES ASSIALE M10          | 2,00     |            |            | --    |
| 0014   | VTDD00482 |           | ECROU M 6 ZIN UNI 5588               | 2,00     |            |            | --    |
| 0015   | LAFN87266 |           | BRIDE SUPP.SPAZZ.LAT.TK1000ZN        | 2,00     |            |            | --    |
| 0016   | VTRS00503 |           | RONDELLE D. 6 UNI 6798               | 6,00     |            |            | --    |
| 0017   | VTVT75726 |           | VIS TBCE ISO 7380 6X16 ZB            | 6,00     |            |            | --    |
| 0018   | MPVR47066 |           | PROTECTION L.14                      | 2,00     |            |            | --    |
| 0019   | LAFN87267 |           | SUPPORT BRAS LAT.DX/SX TK1000S       | 2,00     |            |            | --    |
| 0020   | MLML75963 |           | RESSORT                              | 2,00     |            |            | --    |
| 0021   | MTCG00139 |           | COURROIE XPZ ESEC.6T 6B LP825        | 1,00     |            |            | --    |
| 0022   | VTAE13512 |           | BAGUE D'ARRET D. 17 UNI 7435         | 1,00     |            |            | --    |
| 0023   | MTPL00016 |           | POULIE D.78 H.25                     | 1,00     |            |            | --    |
| 0024   | VTAE13512 |           | BAGUE D'ARRET D. 17 UNI 7435         | 1,00     |            |            | --    |
| 0025   | VTVR33667 |           | CLE UNI 6604 5X5X25                  | 2,00     |            |            | --    |
| 0026   | SPPV00018 |           | BROSSE LATERAL 1202-1250-1280        | 2,00     |            |            | --    |
| 0027   | VTRS63242 |           | RONDELLE UNI 6593 6X24X2 ZB          | 2,00     |            |            | --    |
| 0028   | VTVT62920 |           | VIS TE FR 6X16 ZB ZIGRINATE          | 6,00     |            |            | --    |
| 0029   | VTVT00527 |           | VIS TE FR 6X10 ZB ZIG.               | 2,00     |            |            | --    |
| 0030   | VTRS00503 |           | RONDELLE D. 6 UNI 6798               | 8,00     |            |            | --    |
| 0031   | VTVT75726 |           | VIS TBCE ISO 7380 6X16 ZB            | 8,00     |            |            | --    |
| 0032   | LAFN45010 |           | BRIDE L.1400 LT.                     | 2,00     |            |            | --    |
| 0033   | VTVR33667 |           | CLE UNI 6604 5X5X25                  | 2,00     |            |            | --    |
| 0034   | RDGR75786 |           | REDUCTEUR SPAZ.LAT.SX TK1000S        | 1,00     |            |            | --    |
| 0035   | ALTR00098 |           | ARBRE DX                             | 1,00     |            |            | --    |
| 0036   | RDGR85001 |           | REDUCTEUR SPAZ.LAT.DX TK1000S        | 1,00     |            |            | --    |
| 0037   | VTAE13512 |           | BAGUE D'ARRET D. 17 UNI 7435         | 1,00     |            |            | --    |
| 0038   | CUVR00008 |           | ROULEMENT 6003 2RS                   | 1,00     |            |            | --    |
| 0039   | LAFN00102 |           | ENTRETOISE CUSCIN.MOZZO SOST.SP.LAT. | 1,00     |            |            | --    |
| 0040   | CUVR00008 |           | ROULEMENT 6003 2RS                   | 2,00     |            |            | --    |
| 0041   | VTAE17002 |           | BAGUE D'ARRET D. 35 UNI 7437         | 2,00     |            |            | --    |
| 0042   | VTVT87271 |           | VIS TBCE ISO 7380 8X16 ZB            | 2,00     |            |            | --    |



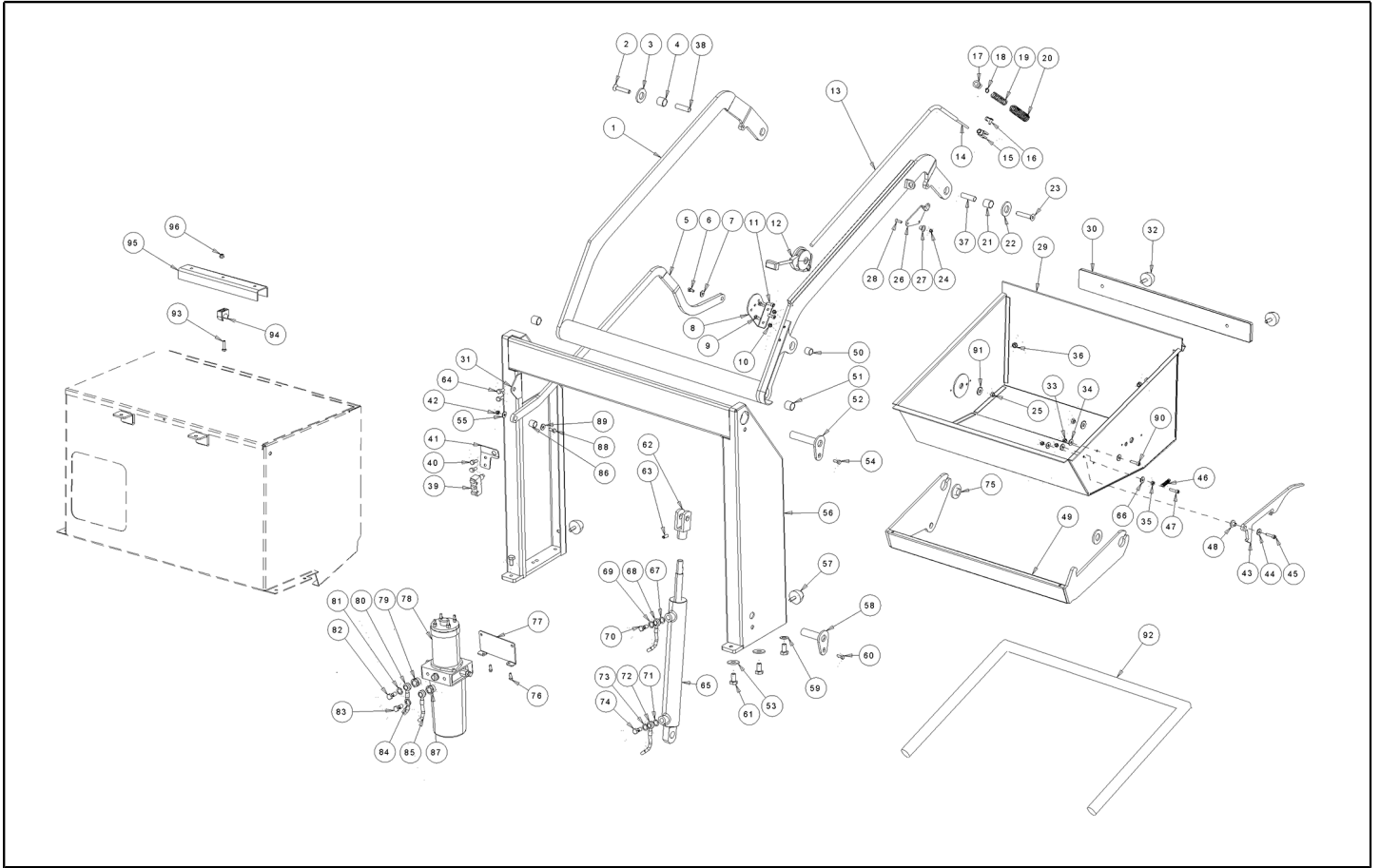
| Ref. K | Part N.   | Part N. 2 | Description                           | Quantity | Validity |    | Price |
|--------|-----------|-----------|---------------------------------------|----------|----------|----|-------|
|        |           |           |                                       |          | From     | To |       |
| 0043   | VTRS00512 |           | RONDELLE D. 8 X24 ZC.                 | 2,00     |          |    | --    |
| 0044   | LAFN76761 |           | BRAS DX SW1000S TK22601034            | 1,00     |          |    | --    |
| 0045   | VTAE13512 |           | BAGUE D'ARRET D. 17 UNI 7435          | 1,00     |          |    | --    |
| 0046   | MTPL87275 |           | POULIE D.96 H.26                      | 1,00     |          |    | --    |
| 0047   | VTAE87277 |           | SEEGER ESTERNO DIN 471 D.45           | 2,00     |          |    | --    |
| 0048   | MPVR87287 |           | CARTER LATÉRALE DX TK1000S            | 1,00     |          |    | --    |
| 0049   | MTOG85309 |           | COURROIE 8X 905                       | 2,00     |          |    | --    |
| 0050   | MTPL87274 |           | POULIE D.75 H.27                      | 2,00     |          |    | --    |
| 0051   | VTVT86570 |           | VIS SANS TÊTE UNI 5927 6X10 CON PUNTA | 2,00     |          |    | --    |
| 0052   | VTVT45395 |           | VIS TBCE ISO 7380 8X10 ZB             | 4,00     |          |    | --    |
| 0053   | MPVR87281 |           | CARTER LATÉRALE SX TK1000S            | 1,00     |          |    | --    |
| 0054   | LAFN87273 |           | BRAS ALZ.LAT.SX TK1000S VERN          | 1,00     |          |    | --    |
| 0055   | ALTR00099 |           | ARBRE SX                              | 1,00     |          |    | --    |
| 0056   | LAFN87280 |           | MOYEU SOSTEGNO SX ALB.SPAZ.LAT.       | 1,00     |          |    | --    |
| 0057   | VTVT47025 |           | VIS TBCE ISO 7380 10X16 ZB            | 1,00     |          |    | --    |
| 0058   | LAFN08218 |           | MANCHON -                             | 1,00     |          |    | --    |
| 0059   | VTVR33667 |           | CLE UNI 6604 5X5X25                   | 1,00     |          |    | --    |
| 0060   | VTVR33667 |           | CLE UNI 6604 5X5X25                   | 1,00     |          |    | --    |
| 0061   | VTAE13512 |           | BAGUE D'ARRET D. 17 UNI 7435          | 1,00     |          |    | --    |
| 0062   | VTAE13512 |           | BAGUE D'ARRET D. 17 UNI 7435          | 1,00     |          |    | --    |
| 0063   | LAFN08217 |           | ENTRETOISE -                          | 2,00     |          |    | --    |



| Ref. K | Part N.   | Part N. 2 | Description                    | Quantity | Validity |    | Price |
|--------|-----------|-----------|--------------------------------|----------|----------|----|-------|
|        |           |           |                                |          | From     | To |       |
| 0001   | VTVT00447 |           | VIS TE 8X25 UNI5739            | 2,00     |          |    | --    |
| 0002   | VTDD00483 |           | ECROU M 8 ZIN UNI 5588         | 4,00     |          |    | --    |
| 0003   | LAFN08903 |           | BRIDE -                        | 2,00     |          |    | --    |
| 0004   | FTDP00214 |           | FILTRE PLEATED POLYESTER 1280  | 1,00     |          |    | --    |
| 0005   | LAFN08921 |           | PLAT -                         | 1,00     |          |    | --    |
| 0006   | VTDD00042 |           | ECROU AUT.M10 UNI7474          | 2,00     |          |    | --    |
| 0007   | VTRS00505 |           | RONDELLE D.10 UNI 6592         | 2,00     |          |    | --    |
| 0008   | LAFN08917 |           | BRIDE -                        | 1,00     |          |    | --    |
| 0009   | VTRS00503 |           | RONDELLE D. 6 UNI 6798         | 2,00     |          |    | --    |
| 0010   | VTDD00491 |           | ECROU M 6 TEF                  | 2,00     |          |    | --    |
| 0011   | ABGO00013 |           | AMORTISSEUR 25x25 M6x25        | 2,00     |          |    | --    |
| 0012   | VTVT00427 |           | VIS TSPEI 8X35 UNI5933 INX     | 4,00     |          |    | --    |
| 0013   | MOCC00404 |           | MOTEUR                         | 1,00     |          |    | --    |
| 0014   | LAFN06718 |           | BRIDE -                        | 1,00     |          |    | --    |
| 0015   | VTRS00505 |           | RONDELLE D.10 UNI 6592         | 2,00     |          |    | --    |
| 0016   | VTVT00458 |           | VIS TE M 10X35 ZINC. UNI 5739  | 2,00     |          |    | --    |
| 0017   | MPVR45096 |           | CAOUTCHOUC V 1201 GR.          | 1,00     |          |    | --    |
| 0018   | LAFN76008 |           | PEDALE FLAP TK1000             | 1,00     |          |    | --    |
| 0019   | VTVR00028 |           | BORNE PER CASSETTO G1300       | 1,00     |          |    | --    |
| 0020   | VTAE14016 |           | SEEGER ESTERNO DIN 471 D.12    | 1,00     |          |    | --    |
| 0021   | VTRS00506 |           | RONDELLE D.12 UNI 6592         | 1,00     |          |    | --    |
| 0022   | LAFN75973 |           | PIVOT FLAP TK                  | 1,00     |          |    | --    |
| 0023   | VTDD01682 |           | ECROU M12 ZC UNI 5588          | 1,00     |          |    | --    |
| 0024   | VTRS00505 |           | RONDELLE D.10 UNI 6592         | 1,00     |          |    | --    |
| 0025   | LAFN75975 |           | PIVOT TK                       | 1,00     |          |    | --    |
| 0026   | CMCV75723 |           | REGLEUR D.7                    | 1,00     |          |    | --    |
| 0027   | CMCV75905 |           | GAINA X CABLE                  | 1,00     |          |    | --    |
| 0028   | LAFN75976 |           | GUIDE RESSORT TK 1000          | 1,00     |          |    | --    |
| 0029   | VTRS00506 |           | RONDELLE D.12 UNI 6592         | 1,00     |          |    | --    |
| 0030   | VTDD00012 |           | ECROU AUTOBLOK DIN 985 M12 ZB  | 1,00     |          |    | --    |
| 0031   | MLML75962 |           | RESSORT                        | 1,00     |          |    | --    |
| 0032   | CMCV45110 |           | CORDE D. 2.5 FLAP L.14         | 1,00     |          |    | --    |
| 0033   | VTDD00482 |           | ECROU M 6 ZIN UNI 5588         | 1,00     |          |    | --    |
| 0034   | CMCV75717 |           | AGRAFE UNI 1676 M6             | 1,00     |          |    | --    |
| 0035   | MPVR75936 |           | FLAP LH-RH SIDES TK1000        | 1,00     |          |    | --    |
| 0036   | LAFN03005 |           | BLOCAGE FLAP DX/SX TK1000 NERO | 1,00     |          |    | --    |
| 0037   | MPVR75935 |           | FLAP FRONT TK1000 MODELS       | 1,00     |          |    | --    |
| 0038   | LAFN86529 |           | BLOCAGE FLAP                   | 1,00     |          |    | --    |
| 0039   | VTRS00503 |           | RONDELLE D. 6 UNI 6798         | 8,00     |          |    | --    |
| 0040   | VTDD00491 |           | ECROU M 6 TEF                  | 8,00     |          |    | --    |
| 0041   | VTVT75721 |           | VIS TTDE UNI 5732 6X16 ZB      | 8,00     |          |    | --    |
| 0042   | MPVR75936 |           | FLAP LH-RH SIDES TK1000        | 1,00     |          |    | --    |
| 0043   | LAFN03005 |           | BLOCAGE FLAP DX/SX TK1000 NERO | 1,00     |          |    | --    |
| 0044   | VTVT75721 |           | VIS TTDE UNI 5732 6X16 ZB      | 4,00     |          |    | --    |

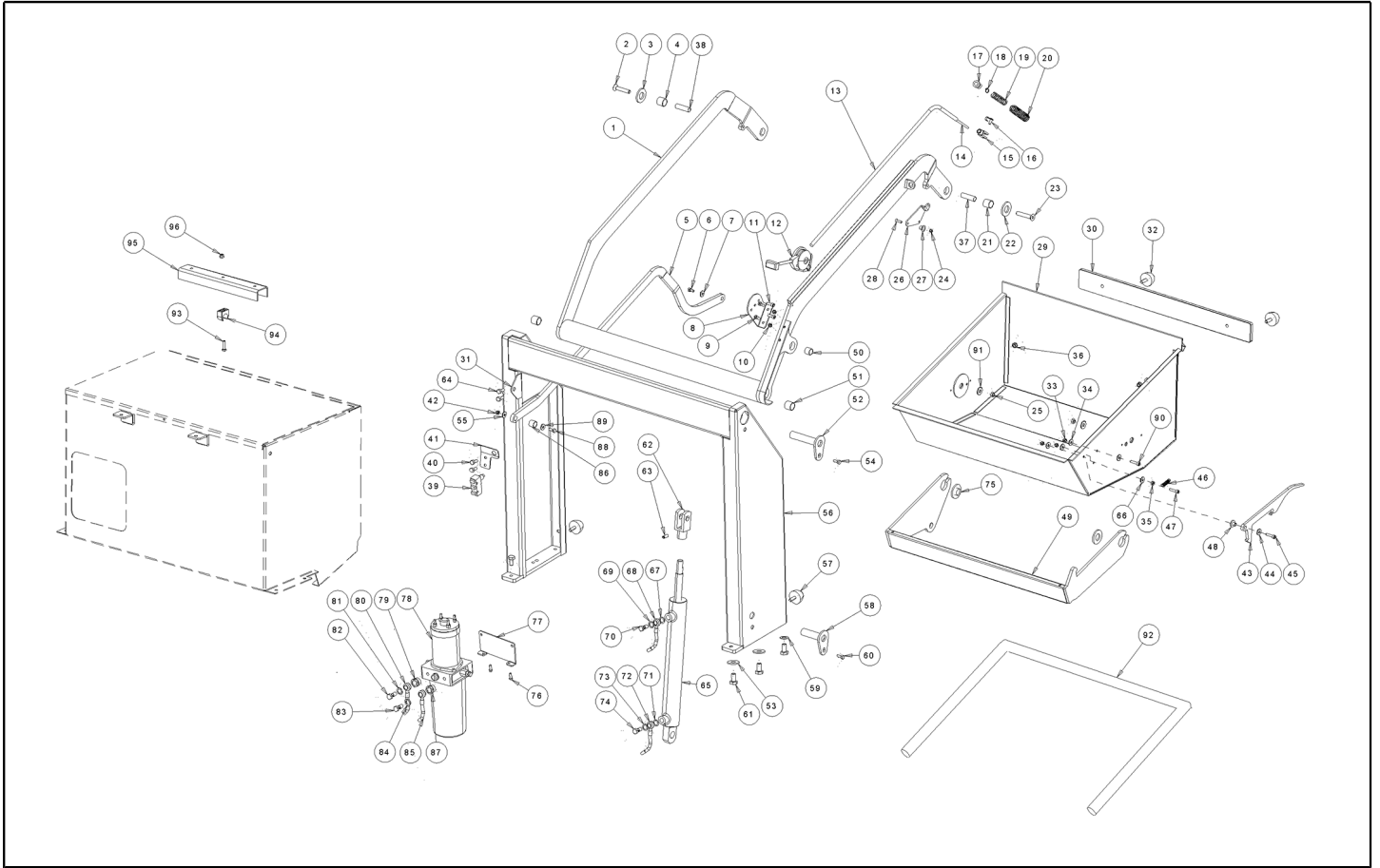


| Ref. K | Part N.   | Part N. 2 | Description                   | Quantity | Validity |    | Price |
|--------|-----------|-----------|-------------------------------|----------|----------|----|-------|
|        |           |           |                               |          | From     | To |       |
| 0045   | VTRS00503 |           | RONDELLE D. 6 UNI 6798        | 4,00     |          |    | --    |
| 0046   | VTDD00491 |           | ECROU M 6 TEF                 | 4,00     |          |    | --    |
| 0047   | MPVR75934 |           | FLAP REAR TK1000              | 1,00     |          |    | --    |
| 0048   | VTVT75721 |           | VIS TTDE UNI 5732 6X16 ZB     | 5,00     |          |    | --    |
| 0049   | VTDD00491 |           | ECROU M 6 TEF                 | 5,00     |          |    | --    |
| 0050   | VTRS00503 |           | RONDELLE D. 6 UNI 6798        | 5,00     |          |    | --    |
| 0051   | KTRI01997 |           | KIT -                         | 1,00     |          |    | --    |
| 0052   | LAFN36060 |           | CHASSIS SUPPORT POCKET FILTER | 1,00     |          |    | --    |
| 0053   | VTVT62920 |           | VIS TE FR 6X16 ZB ZIGRINATE   | 4,00     |          |    | --    |
| 0054   | KTRI01998 |           | KIT -                         | 1,00     |          |    | --    |

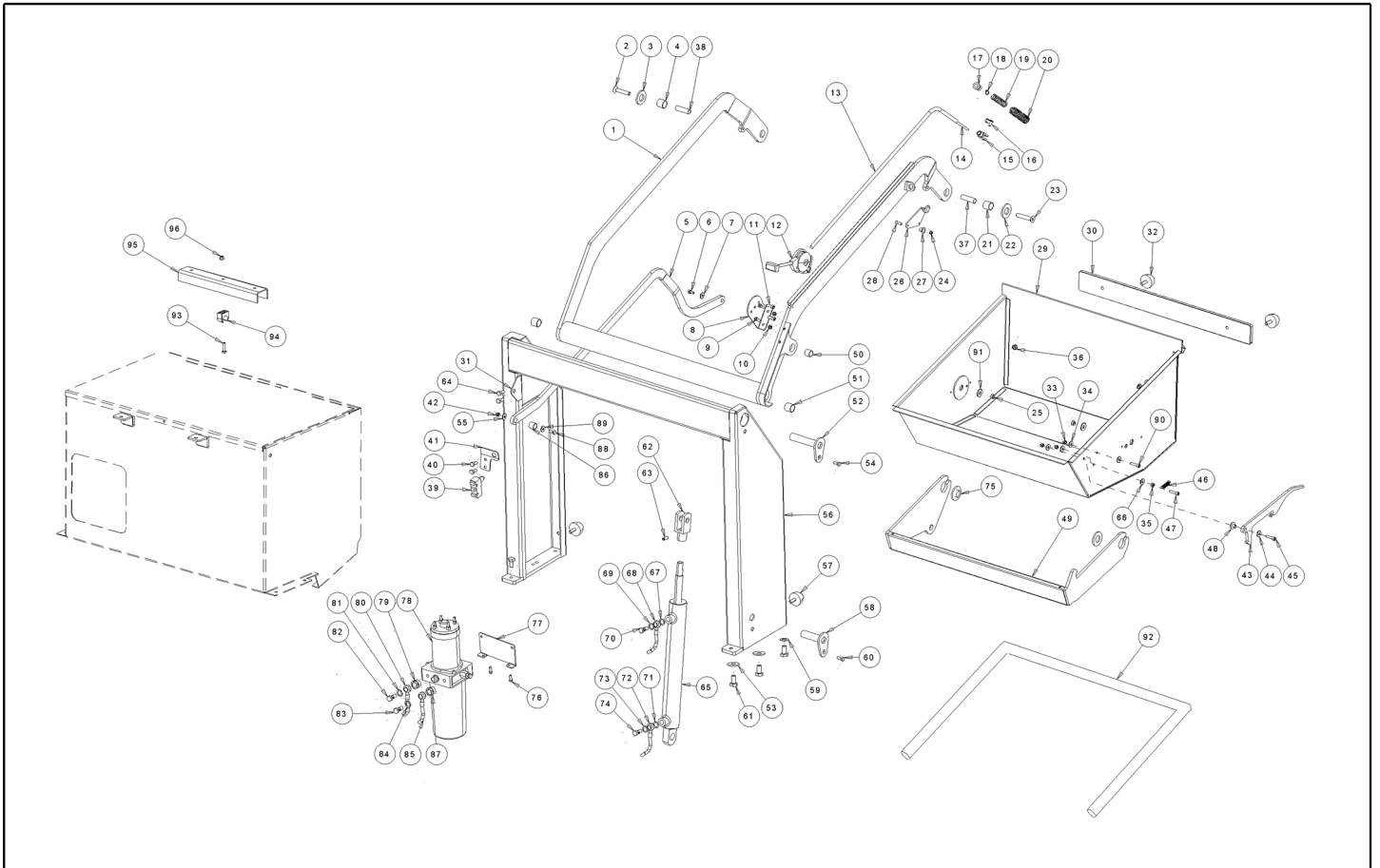


| Ref. K | Part N.   | Part N. 2 | Description                        | Quantity | Validity   |            | Price |
|--------|-----------|-----------|------------------------------------|----------|------------|------------|-------|
|        |           |           |                                    |          | From       | To         |       |
| 0001   | LAFN08188 |           | BRAS -                             | 1,00     |            |            | --    |
| 0002   | VTVT01577 |           | VIS TSCE UNI 5933 8X50 ZB          | 1,00     |            |            | --    |
| 0003   | VTRS00506 |           | RONDELLE D.12 UNI 6592             | 1,00     |            |            | --    |
| 0004   | MPVR00010 |           | DOUILLE GLYCODUR GLY.PG 20-23-10F  | 1,00     |            |            | --    |
| 0005   | LAFN00778 |           | BRAS PARALLELLOG.DX/SX 1300 ZN     | 1,00     |            |            | --    |
| 0006   | VTVT00678 |           | VIS                                | 1,00     |            |            | --    |
| 0007   | VTRS00505 |           | RONDELLE D.10 UNI 6592             | 1,00     |            |            | --    |
| 0008   | LAFN00243 |           | RACCORD CAVO SGAN.CASSETTO 1300    | 1,00     |            |            | --    |
| 0009   | VTVT62920 |           | VIS TE FR 6X16 ZB ZIGRINATE        | 2,00     |            |            | --    |
| 0010   | VTDD00491 |           | ECROU M 6 TEF                      | 2,00     |            |            | --    |
| 0011   | VTVT00061 |           | VIS TSCE UNI 5933 6X20 ZB          | 2,00     |            |            | --    |
| 0012   | CMCV00040 |           | LEVIER SGANCIO CASSETTO G1300      | 1,00     |            |            | --    |
| 0013   | CMCV00039 |           | GAINA CASSETTO G1300               | 1,00     |            | 17/01/2016 | --    |
| 0013   | CMCV00452 |           | GAINA -                            | 1,00     | 18/01/2016 |            | --    |
| 0014   | CMCV00038 |           | CABLE CASSETTO G1300               | 1,00     |            |            | --    |
| 0015   | CMCV00006 |           | FOURCHE UNI 1676 M6X24             | 1,00     |            |            | --    |
| 0016   | CMCV00009 |           | AGRAFE UNI 1676                    | 1,00     |            |            | --    |
| 0017   | LAFN00854 |           | BLOCCAGE GUAINA SOLLEV.CASS.G1300  | 1,00     |            |            | --    |
| 0018   | VTAE17003 |           | BAGUE D'ARRET ESTERNO DIN 471 D.15 | 1,00     |            |            | --    |
| 0019   | MLML75964 |           | RESSORT D. 11,3 X100 X1,5 TK       | 1,00     |            |            | --    |
| 0020   | MPVR00071 |           | PROTECTION X CASSETTO G1300        | 1,00     |            |            | --    |
| 0021   | MPVR00010 |           | DOUILLE GLYCODUR GLY.PG 20-23-10F  | 1,00     |            |            | --    |
| 0022   | VTRS00506 |           | RONDELLE D.12 UNI 6592             | 1,00     |            |            | --    |
| 0023   | VTVT01577 |           | VIS TSCE UNI 5933 8X50 ZB          | 1,00     |            |            | --    |
| 0024   | VTDD08171 |           | ECROU M 5 TEF                      | 1,00     |            |            | --    |
| 0025   | VTDD00124 |           | ECROU M8 DIN985                    | 2,00     |            |            | --    |
| 0026   | LAFN00499 |           | PIVOT SGANCIO RIBALT.CASS.COMPL    | 1,00     |            |            | --    |
| 0027   | LAFN00131 |           | DOUILLE X LEVA ATT.CAVO SGAN.CASS  | 1,00     |            |            | --    |
| 0028   | VTVT00075 |           | VIS TSCE UNI 5933 5X20 ZB          | 1,00     |            |            | --    |
| 0029   | LAFN08192 |           | TIROIR -                           | 1,00     |            |            | --    |
| 0030   | LAFN08199 |           | POIDS -                            | 1,00     |            |            | --    |
| 0031   | LAFN08219 |           | BRAS -                             | 1,00     |            |            | --    |
| 0032   | ABGO00041 |           | AMORTISSEUR                        | 2,00     |            |            | --    |
| 0033   | VTDD00491 |           | ECROU M 6 TEF                      | 3,00     |            |            | --    |
| 0034   | VTRS04026 |           | RONDELLE D. 6X18X2.38              | 3,00     |            |            | --    |
| 0035   | VTDD00482 |           | ECROU M 6 ZIN UNI 5588             | 1,00     |            |            | --    |
| 0036   | VTDD00124 |           | ECROU M8 DIN985                    | 2,00     |            |            | --    |
| 0037   | LAFN00494 |           | PIVOT ROTAZIONE CASSETTO TK1300    | 1,00     |            |            | --    |
| 0038   | LAFN00494 |           | PIVOT ROTAZIONE CASSETTO TK1300    | 1,00     |            |            | --    |
| 0039   | MECI75801 |           | MICROINTERRUPT. TK                 | 1,00     |            |            | --    |
| 0040   | VTVT00527 |           | VIS TE FR 6X10 ZB ZIG.             | 2,00     |            |            | --    |
| 0041   | LAFN08206 |           | BRIDE -                            | 1,00     |            |            | --    |
| 0042   | VTDD00124 |           | ECROU M8 DIN985                    | 1,00     |            |            | --    |
| 0043   | LAFN41006 |           | LEVIER SGANCIO                     | 1,00     |            |            | --    |

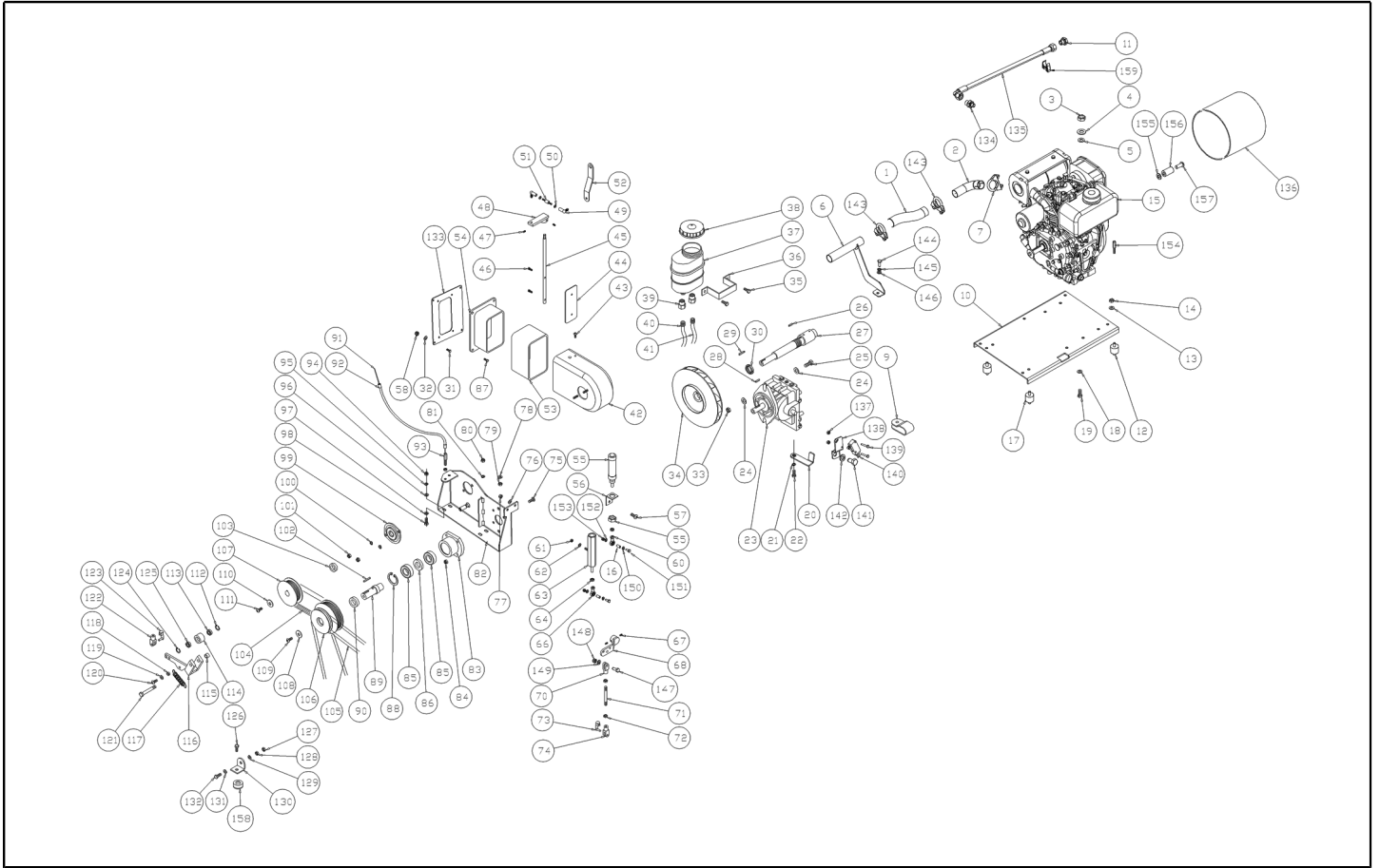




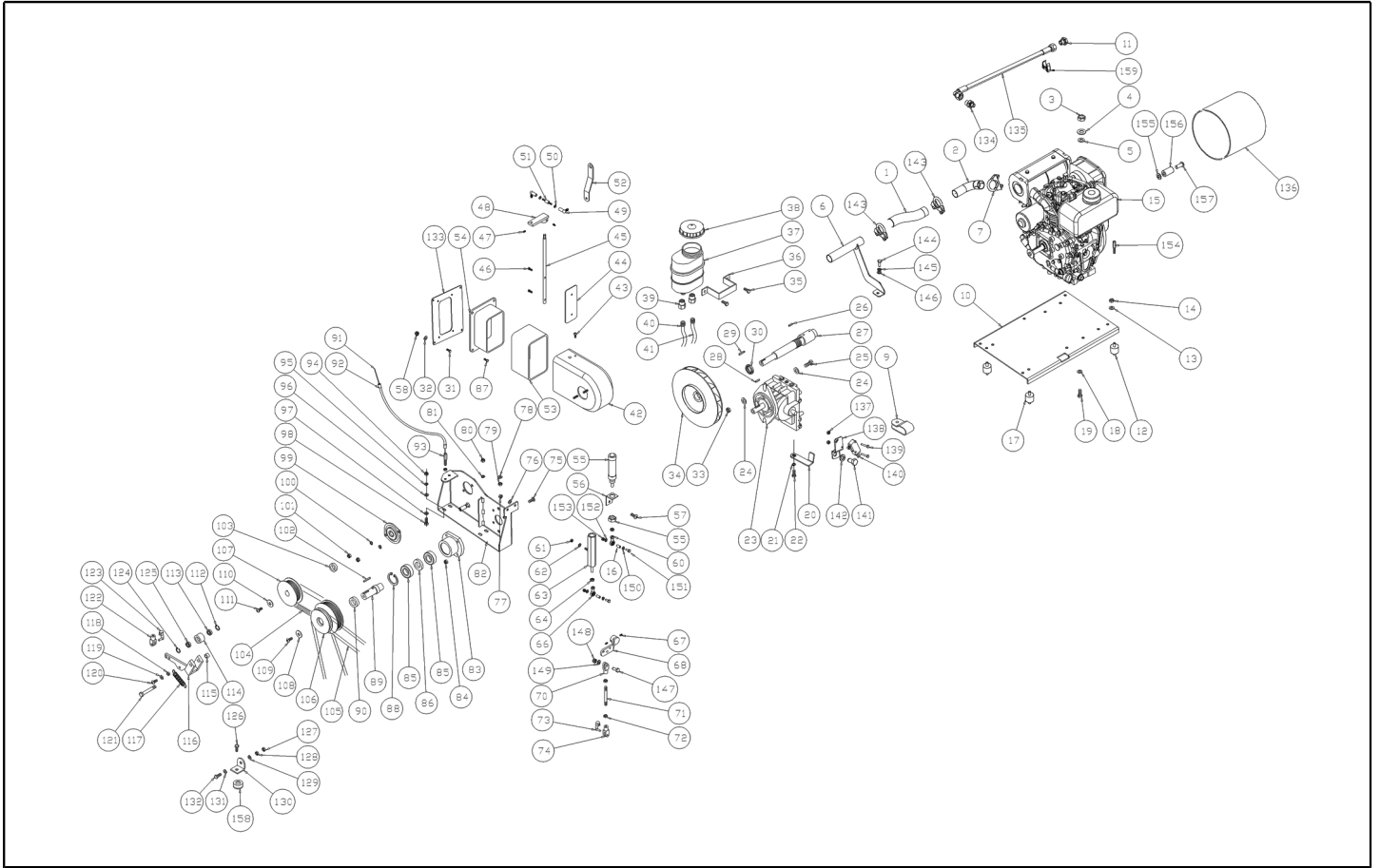
| Ref. K | Part N.   | Part N. 2 | Description                        | Quantity | Validity |    | Price |
|--------|-----------|-----------|------------------------------------|----------|----------|----|-------|
|        |           |           |                                    |          | From     | To |       |
| 0044   | VTRS04026 |           | RONDELLE D. 6X18X2.38              | 1,00     |          |    | --    |
| 0045   | VTVT12255 |           | VIS TCCE UNI 5931 6X25 ZB          | 1,00     |          |    | --    |
| 0046   | MLML45109 |           | RESSORT TR D. 12X1.7X79.5          | 1,00     |          |    | --    |
| 0047   | VTVT06237 |           | VIS TCCE UNI 5931 6X20 ZB          | 1,00     |          |    | --    |
| 0048   | LAFN00132 |           | DOUILLE X LEVA SGANCIO CASSETTO    | 1,00     |          |    | --    |
| 0049   | LAFN08189 |           | SUPPORT -                          | 1,00     |          |    | --    |
| 0050   | MPVR00009 |           | DOUILLE GLYCODUR GLY.PG 16-18-15F  | 1,00     |          |    | --    |
| 0051   | MPVR00008 |           | DOUILLE GLYCODUR GLY.PG 20-23-20F  | 2,00     |          |    | --    |
| 0052   | LAFN00489 |           | PIVOT X BRACCIO CASSETTO TK1300    | 2,00     |          |    | --    |
| 0053   | VTRS00514 |           | RONDELLE UNI 6593 10X30X2,5 ZB     | 4,00     |          |    | --    |
| 0054   | VTVT63129 |           | VIS TE FR 8X16 ZB ZIGRINATE        | 2,00     |          |    | --    |
| 0055   | VTRS00512 |           | RONDELLE D. 8 X24 ZC.              | 1,00     |          |    | --    |
| 0056   | LAFN08187 |           | BLOC -                             | 1,00     |          |    | --    |
| 0057   | ABGO00041 |           | AMORTISSEUR                        | 2,00     |          |    | --    |
| 0058   | LAFN00488 |           | PIVOT INFERIORE CILIND.TK1300      | 1,00     |          |    | --    |
| 0059   | VTRS00505 |           | RONDELLE D.10 UNI 6592             | 2,00     |          |    | --    |
| 0060   | VTVT63129 |           | VIS TE FR 8X16 ZB ZIGRINATE        | 1,00     |          |    | --    |
| 0061   | VTVT00455 |           | VIS TE 10X20 UNI5739               | 6,00     |          |    | --    |
| 0062   | CMCV00004 |           | FOURCHE UNI 1676 M16X1,5 + PERNO   | 1,00     |          |    | --    |
| 0063   | VTVT75731 |           | VIS SANS TETE UNI 5923 6X5         | 1,00     |          |    | --    |
| 0064   | VTVT62920 |           | VIS TE FR 6X16 ZB ZIGRINATE        | 2,00     |          |    | --    |
| 0065   | PIID00001 |           | PISTON SOLLEV.CASS.POST.TK1300     | 1,00     |          |    | --    |
| 0066   | VTRS04026 |           | RONDELLE D. 6X18X2.38              | 1,00     |          |    | --    |
| 0067   | VTRS00037 |           | RONDELLE IN DAWTY 1/8              | 1,00     |          |    | --    |
| 0068   | TBAP00002 |           | TUYAU 3/16" RITORNO TK1300         | 1,00     |          |    | --    |
| 0069   | VTRS00037 |           | RONDELLE IN DAWTY 1/8              | 1,00     |          |    | --    |
| 0070   | RCDS47107 |           | VIS CREUSE FORATA 1/8"             | 1,00     |          |    | --    |
| 0071   | VTRS00037 |           | RONDELLE IN DAWTY 1/8              | 1,00     |          |    | --    |
| 0072   | TBAP00001 |           | TUYAU 3/16 MANDATA TK1300          | 1,00     |          |    | --    |
| 0073   | VTRS00037 |           | RONDELLE IN DAWTY 1/8              | 1,00     |          |    | --    |
| 0074   | RCDS47107 |           | VIS CREUSE FORATA 1/8"             | 1,00     |          |    | --    |
| 0075   | LAFN41002 |           | DOUILLE                            | 2,00     |          |    | --    |
| 0076   | VTVT00005 |           | VIS TE FR 5X12 ZB                  | 2,00     |          |    | --    |
| 0077   | LAFN47126 |           | ETRIER SUPPORT L.14                | 1,00     |          |    | --    |
| 0078   | PPEL00026 |           | POMPE 12V                          | 1,00     |          |    | --    |
| 0079   | RCVR00081 |           | REDUCTION X CENTRALINA IDRAUL.1400 | 1,00     |          |    | --    |
| 0080   | TBAP00001 |           | TUYAU 3/16 MANDATA TK1300          | 1,00     |          |    | --    |
| 0081   | VTRS00037 |           | RONDELLE IN DAWTY 1/8              | 1,00     |          |    | --    |
| 0082   | RCDS47107 |           | VIS CREUSE FORATA 1/8"             | 1,00     |          |    | --    |
| 0083   | RCDS47107 |           | VIS CREUSE FORATA 1/8"             | 1,00     |          |    | --    |
| 0084   | VTRS00037 |           | RONDELLE IN DAWTY 1/8              | 1,00     |          |    | --    |
| 0085   | TBAP00002 |           | TUYAU 3/16" RITORNO TK1300         | 1,00     |          |    | --    |
| 0086   | LAFN00500 |           | PIVOT X BRACCIO PARALLELOG.1300    | 1,00     |          |    | --    |
| 0087   | RCVR00081 |           | REDUCTION X CENTRALINA IDRAUL.1400 | 1,00     |          |    | --    |



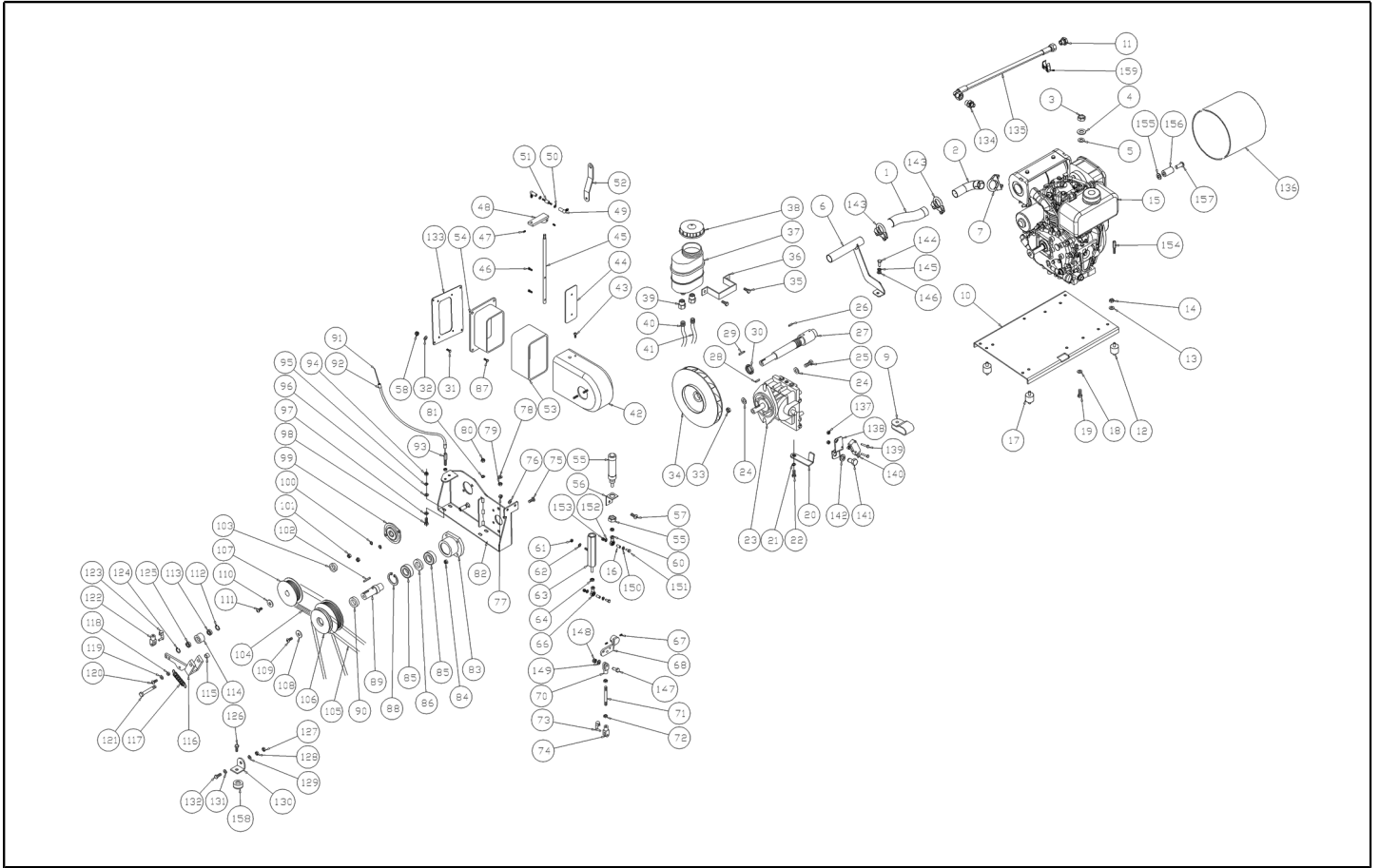
| Ref. K | Part N.   | Part N. 2 | Description               | Quantity | Validity   |    | Price |
|--------|-----------|-----------|---------------------------|----------|------------|----|-------|
|        |           |           |                           |          | From       | To |       |
| 0088   | VTVT00447 |           | VIS TE 8X25 UNI5739       | 1,00     |            |    | --    |
| 0089   | VTRS00512 |           | RONDELLE D. 8 X24 ZC.     | 1,00     |            |    | --    |
| 0090   | VTVT09913 |           | VIS TCCE UNI 5931 6X16 ZB | 1,00     |            |    | --    |
| 0091   | VTRS00512 |           | RONDELLE D. 8 X24 ZC.     | 2,00     |            |    | --    |
| 0092   | GUVR00010 |           | JOINT                     | 1,80     |            |    | --    |
| 0093   | VTVT45339 |           | VIS TBCE ISO 7380 5X16 ZB | 1,00     | 12/03/2020 |    | --    |
| 0094   | MPVR12708 |           | AGRAFE .                  | 1,00     | 12/03/2020 |    | --    |
| 0095   | LAFN11500 |           | BRIDE .                   | 1,00     | 12/03/2020 |    | --    |
| 0096   | VTDD08171 |           | ECROU M 5 TEF             | 1,00     | 12/03/2020 |    | --    |



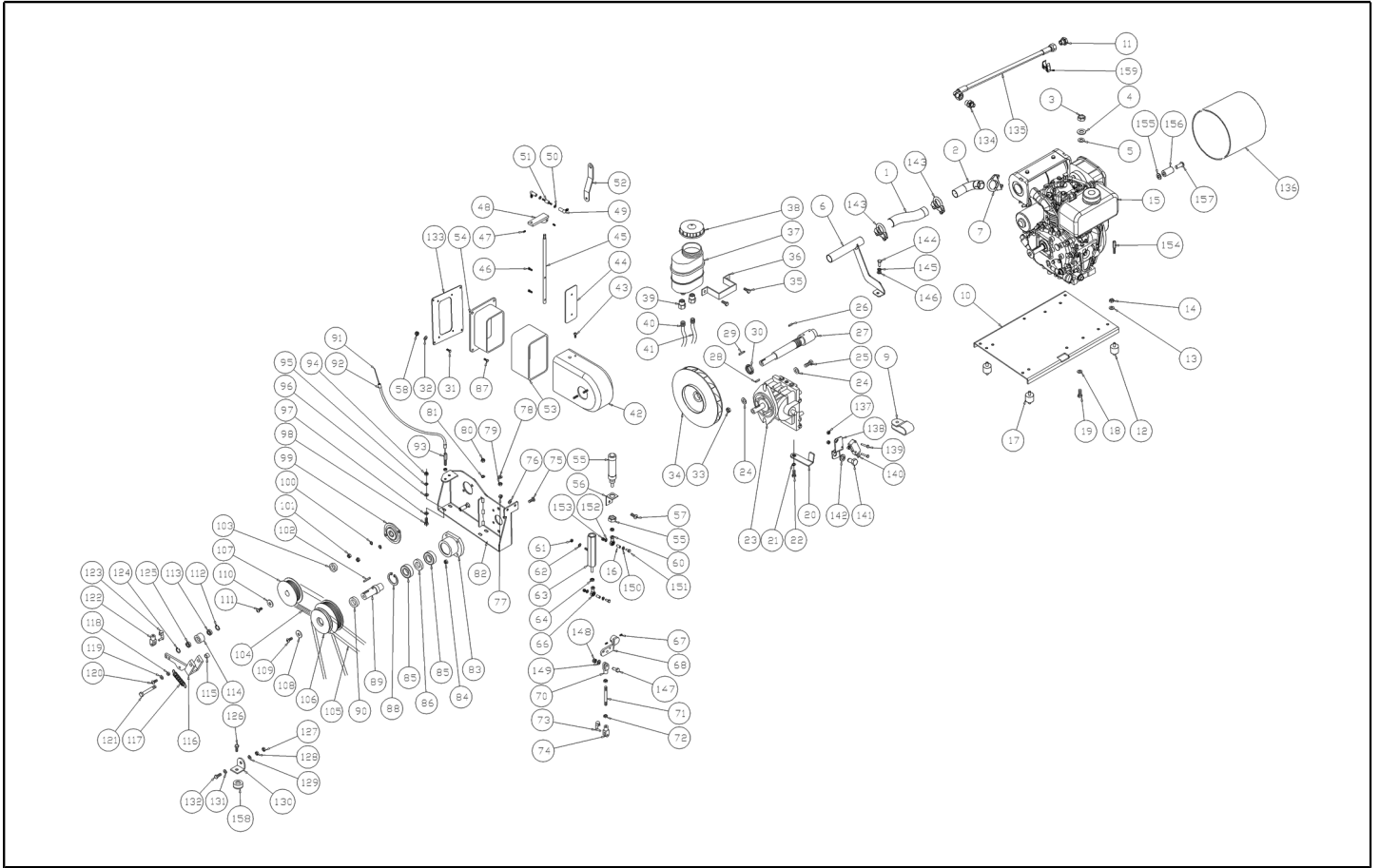
| Ref. K | Part N.   | Part N. 2 | Description                         | Quantity | Validity |    | Price |
|--------|-----------|-----------|-------------------------------------|----------|----------|----|-------|
|        |           |           |                                     |          | From     | To |       |
| 0001   | TBFX00374 |           | TUYAU Di 30                         | 0,17     |          |    | --    |
| 0002   | LAFN08132 |           | POT D'ECHAPPEM. -                   | 1,00     |          |    | --    |
| 0003   | VTDD00124 |           | ECROU M8 DIN985                     | 1,00     |          |    | --    |
| 0004   | VTRS01080 |           | RONDELLE D. 8 GRW                   | 1,00     |          |    | --    |
| 0005   | VTRS00504 |           | RONDELLE D. 8 ZC. UNI 6592          | 1,00     |          |    | --    |
| 0006   | LAFN08136 |           | BORNE -                             | 1,00     |          |    | --    |
| 0007   | LAFN02858 |           | BORNE D.32                          | 1,00     |          |    | --    |
| 0009   | FSVR00002 |           | COLLIER EKOFLEX 9 23-35             | 1,00     |          |    | --    |
| 0010   | LAFN08134 |           | SUPPORT -                           | 1,00     |          |    | --    |
| 0011   | RCDS00002 |           | BOUCHON 1/4" X IMPIANTO IDRAULICO   | 1,00     |          |    | --    |
| 0012   | ABGO00007 |           | AMORTISSEUR MM 30X25 8X16           | 3,00     |          |    | --    |
| 0013   | VTRS01080 |           | RONDELLE D. 8 GRW                   | 6,00     |          |    | --    |
| 0014   | VTDD00124 |           | ECROU M8 DIN985                     | 6,00     |          |    | --    |
| 0015   | MODS00015 |           | MOTEUR DIESEL                       | 1,00     |          |    | --    |
| 0016   | LAFN03742 |           | ENTRETOISE SILENZIATORE             | 2,00     |          |    | --    |
| 0017   | ABGO00007 |           | AMORTISSEUR MM 30X25 8X16           | 4,00     |          |    | --    |
| 0018   | VTRS00512 |           | RONDELLE D. 8 X24 ZC.               | 4,00     |          |    | --    |
| 0019   | VTVT00452 |           | VIS TE 8X 50 UNI 5739               | 4,00     |          |    | --    |
| 0020   | LAFN07257 |           | LEVIER BYPASS                       | 1,00     |          |    | --    |
| 0021   | VTRS01080 |           | RONDELLE D. 8 GRW                   | 1,00     |          |    | --    |
| 0022   | VTVT00446 |           | VIS TE UNI 5739 8X20 ACC.8.8        | 1,00     |          |    | --    |
| 0023   | PPBP00048 |           | POMPE 10 CC                         | 1,00     |          |    | --    |
| 0024   | VTRS00505 |           | RONDELLE D.10 UNI 6592              | 4,00     |          |    | --    |
| 0025   | VTVT00459 |           | VIS TE M 10X40 ZINC. UNI 5739       | 2,00     |          |    | --    |
| 0026   | VTVR01032 |           | CLE Tipo B 4,76x4,76x38             | 1,00     |          |    | --    |
| 0027   | ALTR75830 |           | ARBRE HELICE.                       | 1,00     |          |    | --    |
| 0028   | VTVR16617 |           | CLAVETTE 6X 6X30 UNI 6604           | 1,00     |          |    | --    |
| 0029   | VTVR16617 |           | CLAVETTE 6X 6X30 UNI 6604           | 1,00     |          |    | --    |
| 0030   | VTVT00114 |           | FRETTE AUTOBLOK M30X1,5 GUK         | 1,00     |          |    | --    |
| 0031   | VTVT62920 |           | VIS TE FR 6X16 ZB ZIGRINATE         | 2,00     |          |    | --    |
| 0032   | VTRS04026 |           | RONDELLE D. 6X18X2,38               | 4,00     |          |    | --    |
| 0033   | VTDD00042 |           | ECROU AUT.M10 UNI7474               | 2,00     |          |    | --    |
| 0034   | VEVR00003 |           | HELICE D.220X35 16 PALE TK1000S     | 1,00     |          |    | --    |
| 0035   | VTVT00527 |           | VIS TE FR 6X10 ZB ZIG.              | 2,00     |          |    | --    |
| 0036   | LAFN00306 |           | COLLIER FISS.SERBAT.OLIO 1000S      | 1,00     |          |    | --    |
| 0037   | MPVR00015 |           | RESERVOIR X OLIO CON FILTRO TK1000S | 1,00     |          |    | --    |
| 0038   | MPVR00016 |           | BOUCHON Hydraulik tank              | 1,00     |          |    | --    |
| 0039   | RCDS00001 |           |                                     | 2,00     |          |    | --    |
| 0040   | TBBP00436 |           | TUYAU L=490                         | 1,00     |          |    | --    |
| 0041   | TBBP87182 |           | TUYAU BASSA PRESSIONE L.670         | 1,00     |          |    | --    |
| 0042   | MPVR00194 |           | VIS SANS FIN TK1000S                | 1,00     |          |    | --    |
| 0043   | VTVT75726 |           | VIS TBCE ISO 7380 6X16 ZB           | 1,00     |          |    | --    |
| 0044   | LAFN01072 |           | SOUPAPE A FARFAL.X COCLEA TK100S    | 1,00     |          |    | --    |
| 0045   | ALTR00017 |           | ARBRE FARFALLA TK1000S              | 1,00     |          |    | --    |



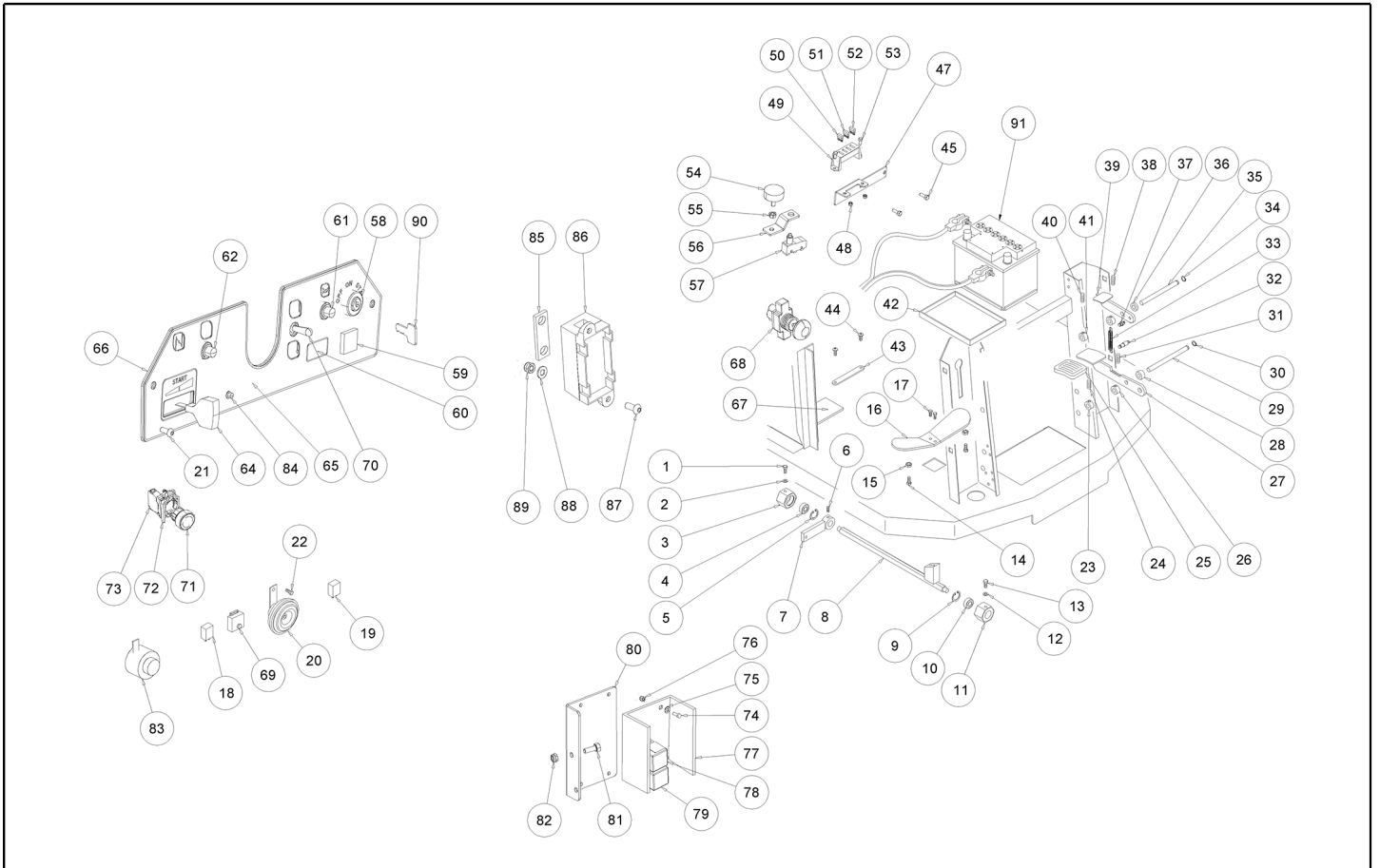
| Ref. K | Part N.    | Part N. 2 | Description                          | Quantity | Validity |    | Price |
|--------|------------|-----------|--------------------------------------|----------|----------|----|-------|
|        |            |           |                                      |          | From     | To |       |
| 0046   | VTVT17639  |           | VIS TCCE UNI 5931 5X10 ZB            | 2,00     |          |    | --    |
| 0047   | VTVT00052  |           | VIS SANS TETE UNI 5927 8X8 CON PUNTA | 2,00     |          |    | --    |
| 0048   | LAFN00714  |           | BRAS APERTURA FARFAL.1000S ZN        | 1,00     |          |    | --    |
| 0049   | VTVR45280  |           | TETE ARTICULEE M 6                   | 4,00     |          |    | --    |
| 0050   | VTDD00482  |           | ECROU M 6 ZIN UNI 5588               | 1,00     |          |    | --    |
| 0051   | LAFN00467  |           | PIVOT SNODO FARFAL.ASPIRAZ.          | 1,00     |          |    | --    |
| 0052   | LAFN00351  |           | LEVIER COMANDO APERT.FARFAL.ZINC     | 1,00     |          |    | --    |
| 0053   | MPVR06084  |           | CAOUTCHOUC -                         | 1,00     |          |    | --    |
| 0054   | LAFN00303  |           | BRIDE FISSAGGIO COCLEA TK1000S       | 1,00     |          |    | --    |
| 0055   | VTVT00118  |           | CYLINDRE MICROCILINDRO TK 1000S      | 1,00     |          |    | --    |
| 0056   | LAFN00713  |           | BRIDE FISSAG.CILIND.PNEUMAT.ZN       | 1,00     |          |    | --    |
| 0057   | VTVT75727  |           | VIS TBCE ISO 7380 8X25 ZB            | 1,00     |          |    | --    |
| 0058   | VTDD00491  |           | ECROU M 6 TEF                        | 4,00     |          |    | --    |
| 0060   | VTVR00578  |           | TETE -                               | 1,00     |          |    | --    |
| 0061   | VTDD00124  |           | ECROU M8 DIN985                      | 1,00     |          |    | --    |
| 0062   | VTRS00504  |           | RONDELLE D. 8 ZC. UNI 6592           | 1,00     |          |    | --    |
| 0063   | PMVVR00191 |           | CYLINDRE STABILIZZATORE 1000S COMP   | 1,00     |          |    | --    |
| 0064   | VTDD00482  |           | ECROU M 6 ZIN UNI 5588               | 1,00     |          |    | --    |
| 0066   | VTVR00578  |           | TETE -                               | 1,00     |          |    | --    |
| 0067   | VTVT00047  |           | VIS SANS TETE UNI 5923 8X8           | 2,00     |          |    | --    |
| 0068   | LAFN85725  |           | BRAS TK1000S TK22601003              | 1,00     |          |    | --    |
| 0070   | CMCV00001  |           | FOURCHE UNI 1676 M8X16               | 1,00     |          |    | --    |
| 0071   | LAFN00470  |           | PIVOT DI COLLEG.POMPA A PED.DIR      | 1,00     |          |    | --    |
| 0072   | VTDD00483  |           | ECROU M 8 ZIN UNI 5588               | 1,00     |          |    | --    |
| 0073   | CMCV75718  |           | AGRAFE UNI 1676 M8                   | 1,00     |          |    | --    |
| 0074   | CMCV00001  |           | FOURCHE UNI 1676 M8X16               | 1,00     |          |    | --    |
| 0075   | VTVT63134  |           | VIS M 8X25 TSPEI ZC UNI 5933         | 4,00     |          |    | --    |
| 0076   | VTRS00504  |           | RONDELLE D. 8 ZC. UNI 6592           | 1,00     |          |    | --    |
| 0077   | VTDD00124  |           | ECROU M8 DIN985                      | 1,00     |          |    | --    |
| 0078   | VTRS00504  |           | RONDELLE D. 8 ZC. UNI 6592           | 1,00     |          |    | --    |
| 0079   | VTDD00124  |           | ECROU M8 DIN985                      | 1,00     |          |    | --    |
| 0080   | VTDD00124  |           | ECROU M8 DIN985                      | 1,00     |          |    | --    |
| 0081   | VTRS01080  |           | RONDELLE D. 8 GRW                    | 1,00     |          |    | --    |
| 0082   | LAFN08135  |           | SUPPORT -                            | 1,00     |          |    | --    |
| 0083   | MFVR85824  |           | BRIDE TK1000S TK21501011             | 1,00     |          |    | --    |
| 0084   | VTDD00124  |           | ECROU M8 DIN985                      | 4,00     |          |    | --    |
| 0085   | CUVR86893  |           | ROULEMENT 6005 2RS                   | 2,00     |          |    | --    |
| 0086   | LAFN87093  |           | ENTRETOISE TK21101033                | 1,00     |          |    | --    |
| 0087   | VTVT01109  |           | VIS TE M 6X 10 ZC. UNI 5739          | 4,00     |          |    | --    |
| 0088   | VTAE85823  |           | SEEGER INTERNO DIN 472 D.47          | 1,00     |          |    | --    |
| 0089   | ALTR85825  |           | ARBRE TK1000S TK21001008             | 1,00     |          |    | --    |
| 0090   | LAFN85821  |           | ENTRETOISE TK1000S TK21101018        | 1,00     |          |    | --    |
| 0091   | CMCV00451  |           | CABLE STEEL MAIN BRUSH LIFTING       | 1,00     |          |    | --    |
| 0092   | CMCV38615  |           | GAINE VIPLAST 3.5X6 X7 L. 315        | 1,00     |          |    | --    |



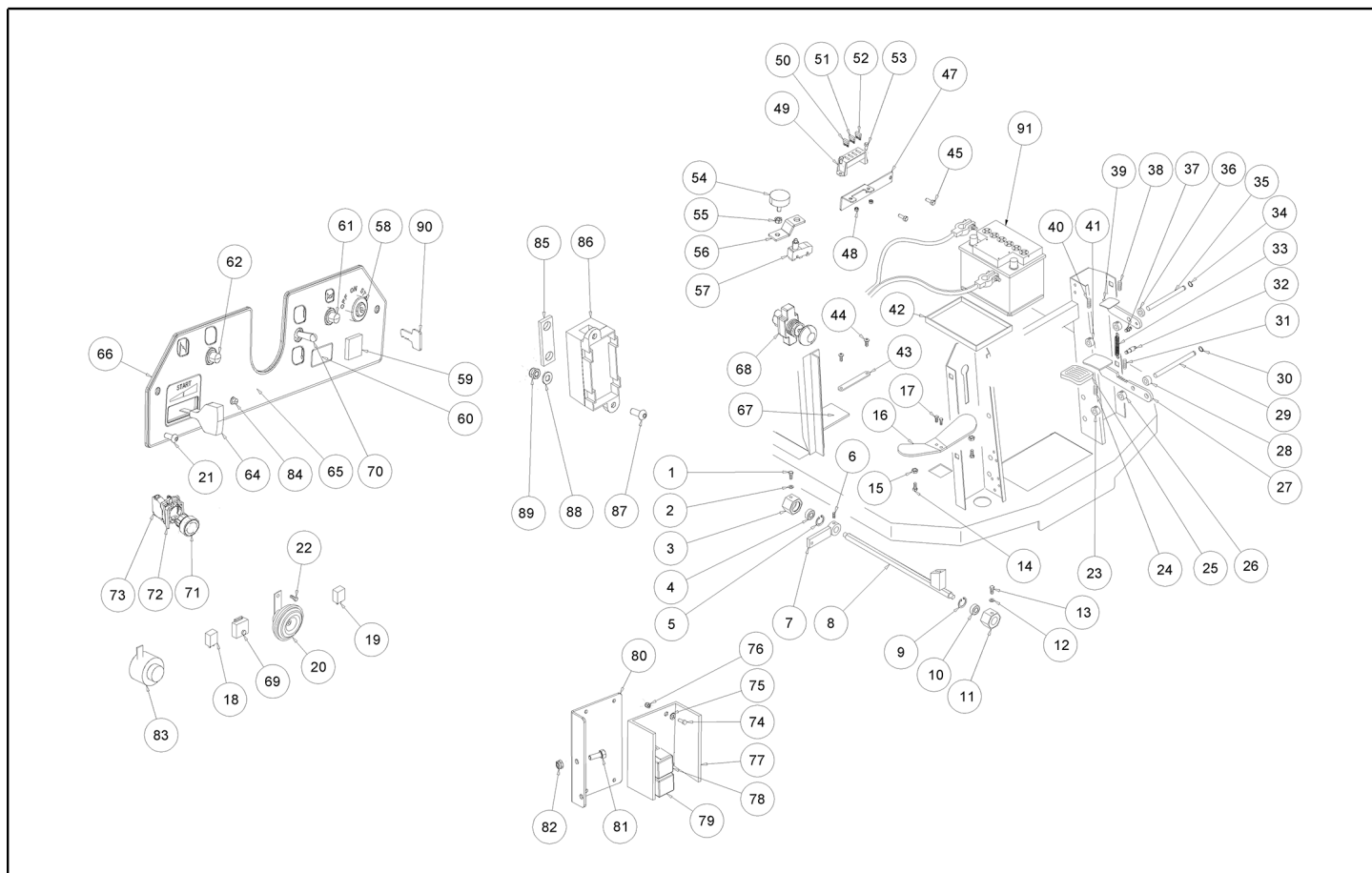
| Ref. K | Part N.   | Part N. 2 | Description                               | Quantity | Validity |    | Price |
|--------|-----------|-----------|---|----------|----------|----|-------|
|        |           |           |   |          | From     | To |       |
| 0093   | CMCV75723 |           | REGLEUR D.7                               | 1,00     |          |    | --    |
| 0094   | VTDD00124 |           | ECROU M8 DIN985                           | 1,00     |          |    | --    |
| 0095   | VTRS01080 |           | RONDELLE D. 8 GRW                         | 1,00     |          |    | --    |
| 0096   | VTRS00504 |           | RONDELLE D. 8 ZC. UNI 6592                | 1,00     |          |    | --    |
| 0097   | VTRS00504 |           | RONDELLE D. 8 ZC. UNI 6592                | 1,00     |          |    | --    |
| 0098   | VTVT00447 |           | VIS TE 8X25 UNI5739                       | 4,00     |          |    | --    |
| 0099   | CUVR58861 |           | ROULEMENT SBPFL 204 BK                    | 1,00     |          |    | --    |
| 0100   | VTRS00504 |           | RONDELLE D. 8 ZC. UNI 6592                | 2,00     |          |    | --    |
| 0101   | VTDD00124 |           | ECROU M8 DIN985                           | 2,00     |          |    | --    |
| 0102   | VTVR16617 |           | CLAVETTE 6X 6X30 UNI 6604                 | 1,00     |          |    | --    |
| 0103   | LAFN00099 |           | ENTRETOISE PULEGGIA MOTORE VENTOLA        | 1,00     |          |    | --    |
| 0104   | MTCG75777 |           | COURROIE POLY 660J 10 V                   | 1,00     |          |    | --    |
| 0105   | MTCG00139 |           | COURROIE XPZ ESEC.6T 6B LP825             | 1,00     |          |    | --    |
| 0106   | MTPL85900 |           | POULIE 2 G TK22501016                     | 1,00     |          |    | --    |
| 0107   | MTPL86537 |           | POULIE POLY 660J                          | 1,00     |          |    | --    |
| 0108   | VTRS00513 |           | RONDELLE UNI 6593 8X32X2,5 ZB             | 1,00     |          |    | --    |
| 0109   | VTVT45395 |           | VIS TBCE ISO 7380 8X10 ZB                 | 1,00     |          |    | --    |
| 0110   | VTRS00513 |           | RONDELLE UNI 6593 8X32X2,5 ZB             | 1,00     |          |    | --    |
| 0111   | VTVT75724 |           | VIS TBCE ISO 7380 8X22 ZB                 | 1,00     |          |    | --    |
| 0112   | VTAE13513 |           | BAGUE D'ARRET D. 26 UNI 7437              | 1,00     |          |    | --    |
| 0113   | CUVR86373 |           | ROULEMENT 6000 2RS                        | 1,00     |          |    | --    |
| 0114   | MTPL47061 |           | GALET TENDEUR L.14                        | 1,00     |          |    | --    |
| 0115   | LAFN47060 |           | ENTRETOISE L.14                           | 1,00     |          |    | --    |
| 0116   | LAFN00254 |           | LEVIER CONTROLE RULLO TENDIC TK1000S ZINC | 1,00     |          |    | --    |
| 0117   | MLML00015 |           | RESSORT RIT.BR.LAT.D.19X3,25X57zb         | 1,00     |          |    | --    |
| 0118   | LAFN00100 |           | DOUILLE LEVA TENDICINCHIA TK1000S         | 1,00     |          |    | --    |
| 0119   | VTRS00504 |           | RONDELLE D. 8 ZC. UNI 6592                | 1,00     |          |    | --    |
| 0120   | VTVT00017 |           | VIS TE UNI 5739 8X35 ZB                   | 1,00     |          |    | --    |
| 0121   | VTVR00035 |           | PIVOT M6X45 CH.12                         | 1,00     |          |    | --    |
| 0122   | CMCV00001 |           | FOURCHE UNI 1676 M8X16                    | 1,00     |          |    | --    |
| 0123   | CMCV75718 |           | AGRAFE UNI 1676 M8                        | 1,00     |          |    | --    |
| 0124   | VTAE13513 |           | BAGUE D'ARRET D. 26 UNI 7437              | 1,00     |          |    | --    |
| 0125   | CUVR86373 |           | ROULEMENT 6000 2RS                        | 1,00     |          |    | --    |
| 0126   | VTVT85116 |           | VIS AUTOF.TE FR 6,3X19 ZB                 | 1,00     |          |    | --    |
| 0127   | VTDD00483 |           | ECROU M 8 ZIN UNI 5588                    | 1,00     |          |    | --    |
| 0128   | VTDD00483 |           | ECROU M 8 ZIN UNI 5588                    | 1,00     |          |    | --    |
| 0129   | VTRS00504 |           | RONDELLE D. 8 ZC. UNI 6592                | 1,00     |          |    | --    |
| 0130   | LAFN48831 |           | BRIDE SW                                  | 1,00     |          |    | --    |
| 0131   | VTRS00504 |           | RONDELLE D. 8 ZC. UNI 6592                | 1,00     |          |    | --    |
| 0132   | VTVT00017 |           | VIS TE UNI 5739 8X35 ZB                   | 1,00     |          |    | --    |
| 0133   | LAFN08173 |           | TOLE TK1000                               | 1,00     |          |    | --    |
| 0134   | RCVR00755 |           | NIPPLE M-M                                | 1,00     |          |    | --    |
| 0135   | TBBP00455 |           | TUYAU -                                   | 1,00     |          |    | --    |
| 0136   | TBFX33835 |           | TUYAU FLEX D.180 ASPIREX PVC GR           | 0,17     |          |    | --    |



| Ref. K | Part N.   | Part N. 2 | Description                      | Quantity | Validity |    | Price |
|--------|-----------|-----------|----------------------------------|----------|----------|----|-------|
|        |           |           |                                  |          | From     | To |       |
| 0137   | VTDD00001 |           | ECROU UNI 5588 M3 ZB             | 2,00     |          |    | --    |
| 0138   | LAFN09390 |           | BRIDE -                          | 1,00     |          |    | --    |
| 0139   | VTVT00021 |           | VIS TE UNI 5739 3X25 ZB          | 2,00     |          |    | --    |
| 0140   | MECI00114 |           | MICROINTERRUPT.                  | 1,00     |          |    | --    |
| 0141   | VTVT01110 |           | VIS TE 8X16 UNI5739              | 1,00     |          |    | --    |
| 0142   | VTRS01080 |           | RONDELLE D. 8 GRW                | 1,00     |          |    | --    |
| 0143   | LAFN08229 |           | COLLIER TUYAU D.35               | 2,00     |          |    | --    |
| 0144   | VTVT00446 |           | VIS TE UNI 5739 8X20 ACC.8.8     | 1,00     |          |    | --    |
| 0145   | VTRS01080 |           | RONDELLE D. 8 GRW                | 1,00     |          |    | --    |
| 0146   | VTRS00504 |           | RONDELLE D. 8 ZC. UNI 6592       | 1,00     |          |    | --    |
| 0147   | VTVT00448 |           | VIS TE 8X30 UNI5739              | 1,00     |          |    | --    |
| 0148   | VTDD00124 |           | ECROU M8 DIN985                  | 1,00     |          |    | --    |
| 0149   | VTRS00504 |           | RONDELLE D. 8 ZC. UNI 6592       | 1,00     |          |    | --    |
| 0150   | VTRS00503 |           | RONDELLE D. 6 UNI 6798           | 2,00     |          |    | --    |
| 0151   | VTVT00247 |           |                                  | 2,00     |          |    | --    |
| 0152   | VTRS00503 |           | RONDELLE D. 6 UNI 6798           | 2,00     |          |    | --    |
| 0153   | VTDD00491 |           | ECROU M 6 TEF                    | 2,00     |          |    | --    |
| 0154   | CMCV02396 |           | REGLEUR CH. 8X 6MAX30            | 1,00     |          |    | --    |
| 0155   | VTRS01079 |           | RONDELLE D. 6 GROWER             | 4,00     |          |    | --    |
| 0156   | LAFN00092 |           | DOUILLE FISSAGGIO CHIAVE SBLOCCO | 4,00     |          |    | --    |
| 0157   | VTVT47014 |           | VIS TBCE ISO 7380 6X30 ZB        | 4,00     |          |    | --    |
| 0158   | LAFN06832 |           | RONDELLE BLOCCA INGRANAGGIO      | 1,00     |          |    | --    |
| 0159   | FSVR00024 |           | COLLIER TUYAU                    | 1,00     |          |    | --    |

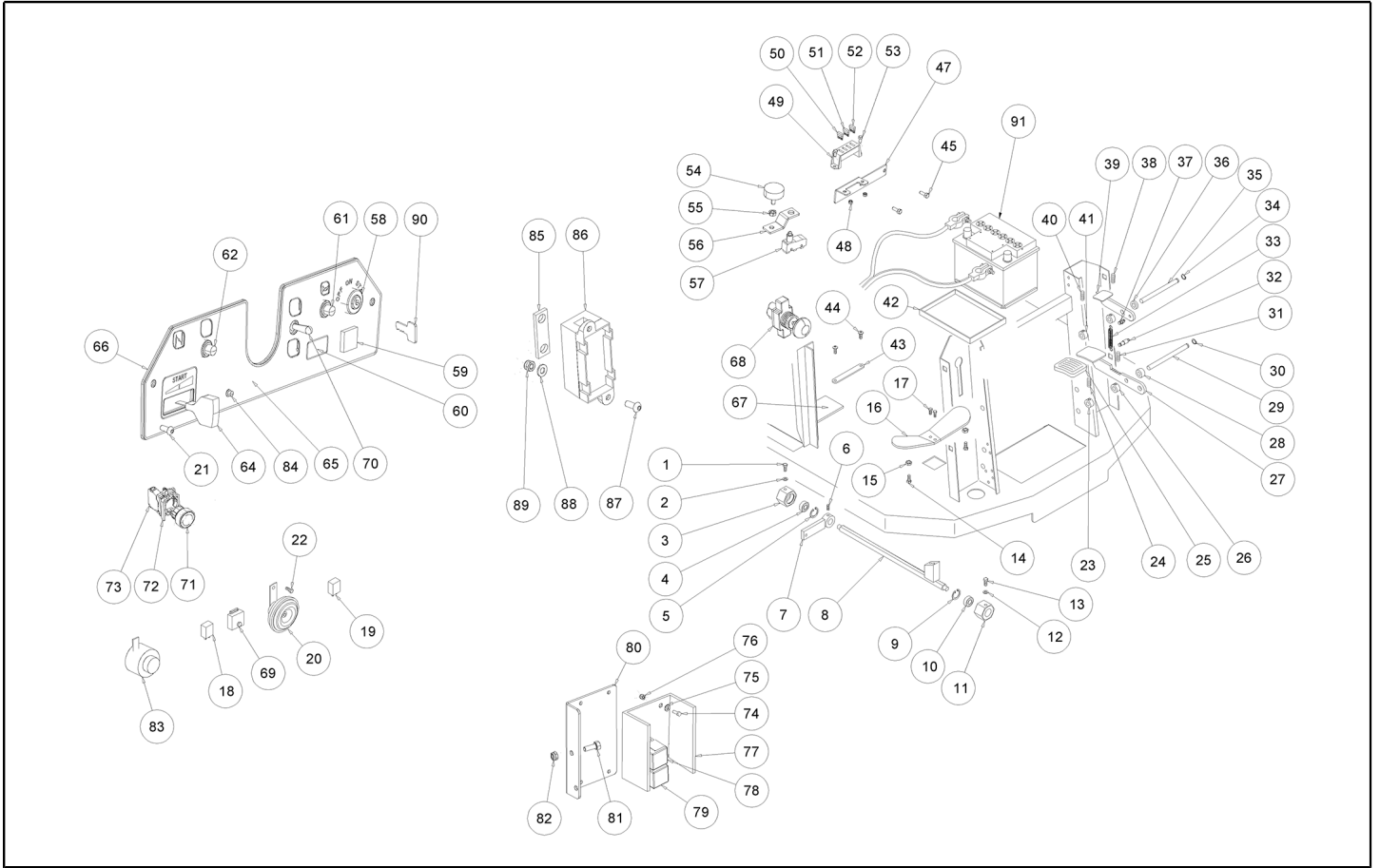


| Ref. K | Part N.   | Part N. 2 | Description                           | Quantity | Validity |    | Price |
|--------|-----------|-----------|---------------------------------------|----------|----------|----|-------|
|        |           |           |                                       |          | From     | To |       |
| 0001   | VTVT45395 |           | VIS TBCE ISO 7380 8X10 ZB             | 1,00     |          |    | --    |
| 0002   | VTRS00504 |           | RONDELLE D. 8 ZC. UNI 6592            | 1,00     |          |    | --    |
| 0003   | LAFN00710 |           | SUPPORT TRASMISSIONE ACCELERATORE     | 1,00     |          |    | --    |
| 0004   | CUVR86373 |           | ROULEMENT 6000 2RS                    | 1,00     |          |    | --    |
| 0005   | VTAE13513 |           | BAGUE D'ARRET D. 26 UNI 7437          | 1,00     |          |    | --    |
| 0006   | VTVT00481 |           | VIS SANS TETE UNI 5927 8X10 CON PUNTA | 1,00     |          |    | --    |
| 0007   | LAFN00711 |           | BRAS SELEZIONE DIREZ.1000S ZN         | 1,00     |          |    | --    |
| 0008   | ALTR00020 |           | ARBRE CON BLOCCHET.X SELE.DIREZ       | 1,00     |          |    | --    |
| 0009   | VTAE13513 |           | BAGUE D'ARRET D. 26 UNI 7437          | 1,00     |          |    | --    |
| 0010   | CUVR86373 |           | ROULEMENT 6000 2RS                    | 1,00     |          |    | --    |
| 0011   | LAFN00710 |           | SUPPORT TRASMISSIONE ACCELERATORE     | 1,00     |          |    | --    |
| 0012   | VTRS00504 |           | RONDELLE D. 8 ZC. UNI 6592            | 1,00     |          |    | --    |
| 0013   | VTVT45395 |           | VIS TBCE ISO 7380 8X10 ZB             | 1,00     |          |    | --    |
| 0014   | VTVT00447 |           | VIS TE 8X25 UNI5739                   | 2,00     |          |    | --    |
| 0015   | VTDD00483 |           | ECROU M 8 ZIN UNI 5588                | 2,00     |          |    | --    |
| 0016   | LAFN00707 |           | PÉDALE SELEZ.DIREZ.TK1000 VERN.       | 1,00     |          |    | --    |
| 0017   | VTVT45395 |           | VIS TBCE ISO 7380 8X10 ZB             | 2,00     |          |    | --    |
| 0018   | MERL00012 |           | RELAYS INTERR. 12V                    | 1,00     |          |    | --    |
| 0019   | MERL00012 |           | RELAYS INTERR. 12V                    | 1,00     |          |    | --    |
| 0020   | MEVR33429 |           | KLAXON K100/Y 1A 12V                  | 1,00     |          |    | --    |
| 0021   | VTVT00659 |           | VIS TC+ M. 4-15                       | 8,00     |          |    | --    |
| 0022   | VTVT85116 |           | VIS AUTOF.TE FR 6,3X19 ZB             | 1,00     |          |    | --    |
| 0023   | LAFN47030 |           | DOUILLE L.14                          | 1,00     |          |    | --    |
| 0024   | VTVT75731 |           | VIS SANS TETE UNI 5923 6X5            | 1,00     |          |    | --    |
| 0025   | MPVR45096 |           | CAOUTCHOUC V 1201 GR.                 | 1,00     |          |    | --    |
| 0026   | LAFN47030 |           | DOUILLE L.14                          | 1,00     |          |    | --    |
| 0027   | LAFN00686 |           | PÉDALE FRENO TK1000 ZINCATO           | 1,00     |          |    | --    |
| 0028   | LAFN47019 |           | DOUILLE L.14                          | 1,00     |          |    | --    |
| 0029   | LAFN47036 |           | PIVOT BRK.+FLAP L.14                  | 1,00     |          |    | --    |
| 0030   | VTAE87276 |           | SEEGER EXT. D10 DIN471                | 1,00     |          |    | --    |
| 0031   | VTVT75731 |           | VIS SANS TETE UNI 5923 6X5            | 1,00     |          |    | --    |
| 0032   | LAFN47035 |           | PIVOT CH.10 H.26                      | 1,00     |          |    | --    |
| 0033   | MLML75960 |           | RESSORT D. 8 X1 X32                   | 1,00     |          |    | --    |
| 0034   | VTAE87276 |           | SEEGER EXT. D10 DIN471                | 1,00     |          |    | --    |
| 0035   | LAFN47031 |           | PIVOT L.14                            | 1,00     |          |    | --    |
| 0036   | LAFN47033 |           | DOUILLE L.14                          | 1,00     |          |    | --    |
| 0037   | LAFN47029 |           | PIVOT CH.10 H.16                      | 1,00     |          |    | --    |
| 0038   | VTVT75731 |           | VIS SANS TETE UNI 5923 6X5            | 1,00     |          |    | --    |
| 0039   | LAFN47032 |           | PÉDALE L.14                           | 1,00     |          |    | --    |
| 0040   | VTVT75731 |           | VIS SANS TETE UNI 5923 6X5            | 1,00     |          |    | --    |
| 0041   | LAFN47030 |           | DOUILLE L.14                          | 2,00     |          |    | --    |
| 0042   | LAFN00232 |           | CONTENEUR PORTABATT.TK1000S VERNIC.   | 1,00     |          |    | --    |
| 0043   | LAFN87142 |           | BRIDE BILANCIERE ZINCATA              | 1,00     |          |    | --    |
| 0044   | VTVT75725 |           | VIS TBCE ISO 7380 6X10 ZB             | 2,00     |          |    | --    |

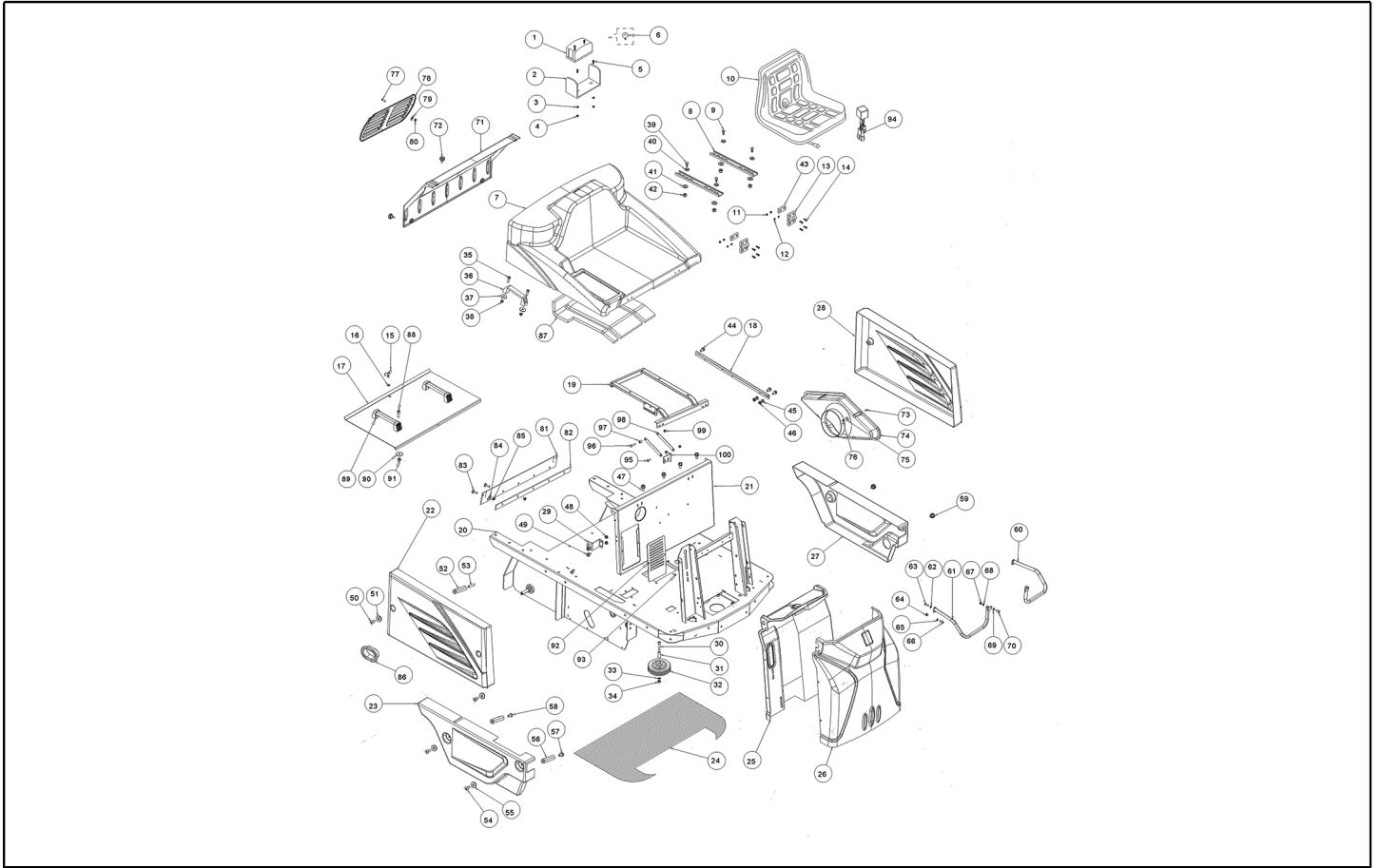


| Ref. K | Part N.   | Part N. 2 | Description                          | Quantity | Validity |    | Price |
|--------|-----------|-----------|--------------------------------------|----------|----------|----|-------|
|        |           |           |                                      |          | From     | To |       |
| 0045   | VTVT00245 |           | VIS TE M6X30 UNI 5739                | 2,00     |          |    | --    |
| 0047   | LAFN08183 |           | BRIDE -                              | 1,00     |          |    | --    |
| 0048   | VTDD04368 |           | ECROU M 4 ZIN UNI 5588               | 2,00     |          |    | --    |
| 0049   | MEVR00030 |           | PORTE-FUSIBLES 4 VIE COPERCHIO TRAS. | 1,00     |          |    | --    |
| 0050   | MEVR01133 |           | FUSIBLE 15A 32V                      | 1,00     |          |    | --    |
| 0051   | MEVR01316 |           | FUSIBLE A LAMA 10 A. 32V             | 1,00     |          |    | --    |
| 0052   | MEVR01316 |           | FUSIBLE A LAMA 10 A. 32V             | 1,00     |          |    | --    |
| 0053   | VTVT00003 |           | VIS TE M 4X 12 ZC. UNI 5739          | 2,00     |          |    | --    |
| 0054   | ABGO00026 |           | AMORTISSEUR                          | 2,00     |          |    | --    |
| 0055   | VTDD10776 |           | ECROU M 8 X1 UNI 5588                | 4,00     |          |    | --    |
| 0056   | LAFN07862 |           | BRIDE -                              | 1,00     |          |    | --    |
| 0057   | MECI75801 |           | MICROINTERRUPT. TK                   | 1,00     |          |    | --    |
| 0058   | MECI87180 |           | INTERRUPTEUR A CHIAVE                | 1,00     |          |    | --    |
| 0059   | MEVR00036 |           | TEMPOIN VERDE NEUTRA                 | 1,00     |          |    | --    |
| 0060   | MESB00010 |           | MINUTEUR CURTIS                      | 1,00     |          |    | --    |
| 0061   | MEVR85330 |           | BOUTON -                             | 1,00     |          |    | --    |
| 0062   | MEVR85330 |           | BOUTON -                             | 1,00     |          |    | --    |
| 0064   | CMCV75739 |           | ACCELERATEUR TK S                    | 1,00     |          |    | --    |
| 0065   | ETET01799 |           | ETICHETTE -                          | 1,00     |          |    | --    |
| 0066   | LAFN08205 |           | FICHE -                              | 1,00     |          |    | --    |
| 0067   | MPVR00739 |           | CAOUTCHOUC PARAPOLVERE CILIND.STABIL | 1,00     |          |    | --    |
| 0068   | MECI00571 |           | BOUTON EMERGENCY BL.SB 1250          | 1,00     |          |    | --    |
| 0069   | MECE00476 |           | FICHE 20W                            | 1,00     |          |    | --    |
| 0070   | MECI00573 |           | SELECTEUR -                          | 1,00     |          |    | --    |
| 0071   | MECI00523 |           | BOUTON WHITE                         | 1,00     |          |    | --    |
| 0072   | MECI00520 |           | PANIER FIX TO FIX CONTACT            | 1,00     |          |    | --    |
| 0073   | MECI00517 |           | CONTACT NO 3-4                       | 1,00     |          |    | --    |
| 0074   | VTVT00003 |           | VIS TE M 4X 12 ZC. UNI 5739          | 2,00     |          |    | --    |
| 0075   | VTRS00501 |           | RONDELLE D. 4 0.232 UNI 6592         | 2,00     |          |    | --    |
| 0076   | VTDD04369 |           | ECROU M 4 TEF UNI 7473               | 2,00     |          |    | --    |
| 0077   | MECE00596 |           | FICHE 1280                           | 1,00     |          |    | --    |
| 0078   | MERL00012 |           | RELAYS INTERR. 12V                   | 1,00     |          |    | --    |
| 0079   | MERL00012 |           | RELAYS INTERR. 12V                   | 1,00     |          |    | --    |
| 0080   | LAFN09384 |           | SUPPORT -                            | 1,00     |          |    | --    |
| 0081   | VTVT62920 |           | VIS TE FR 6X16 ZB ZIGRINATE          | 2,00     |          |    | --    |
| 0082   | VTDD00491 |           | ECROU M 6 TEF                        | 2,00     |          |    | --    |
| 0083   | MEVR02013 |           | BUZZER -                             | 1,00     |          |    | --    |
| 0084   | MEVR02101 |           | LED -                                | 1,00     |          |    | --    |
| 0085   | MEVR01925 |           | FUSIBLE 150A                         | 1,00     |          |    | --    |
| 0086   | MEVR00146 |           | PORTE-FUSIBLES MEGA                  | 1,00     |          |    | --    |
| 0087   | VTVT75726 |           | VIS TBCE ISO 7380 6X16 ZB            | 2,00     |          |    | --    |
| 0088   | VTRS00503 |           | RONDELLE D. 6 UNI 6798               | 2,00     |          |    | --    |
| 0089   | VTDD00491 |           | ECROU M 6 TEF                        | 2,00     |          |    | --    |
| 0090   | MEVR00056 |           | CLE' QUADRO AVV.COBO TK1000S         | 1,00     |          |    | --    |

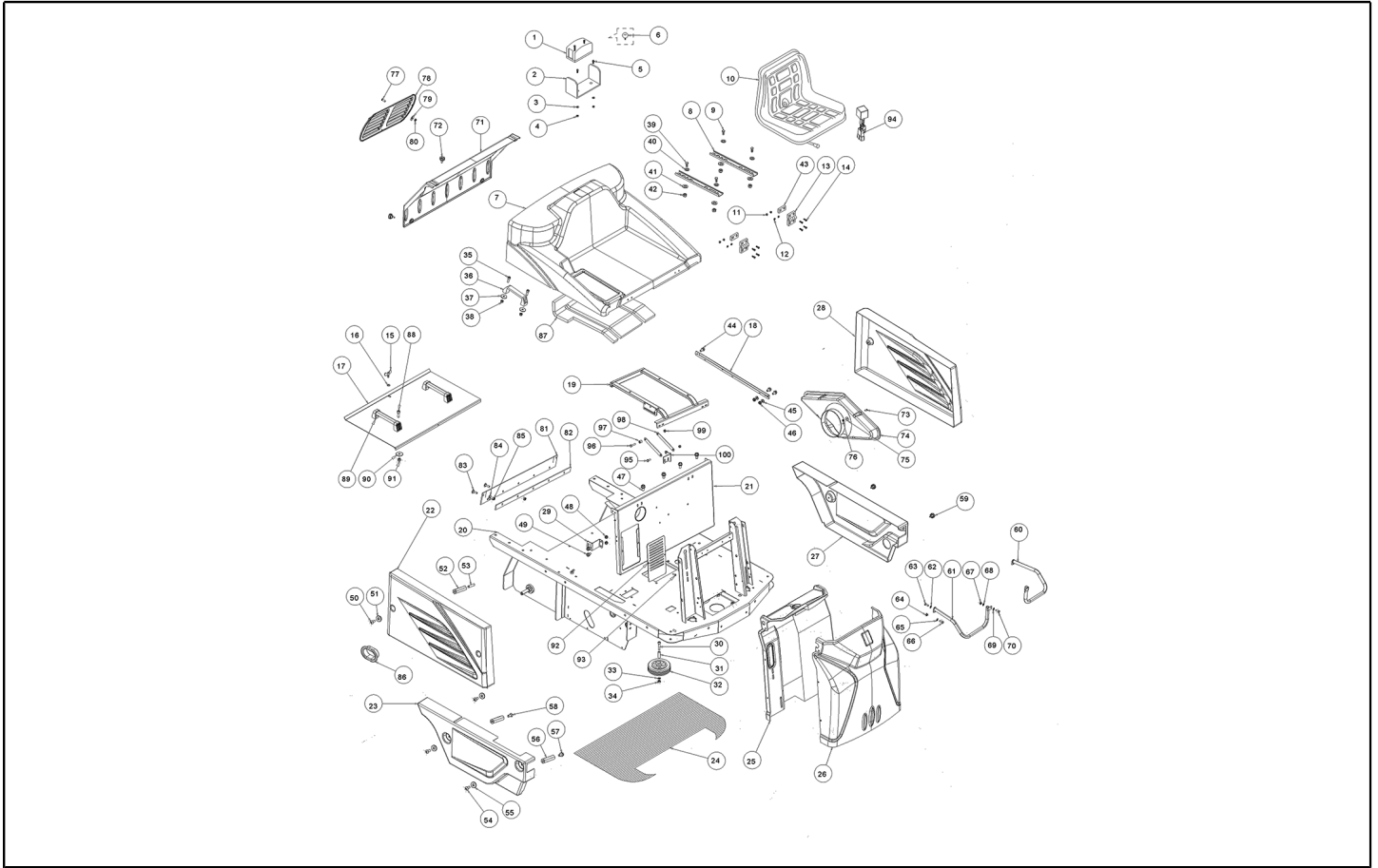




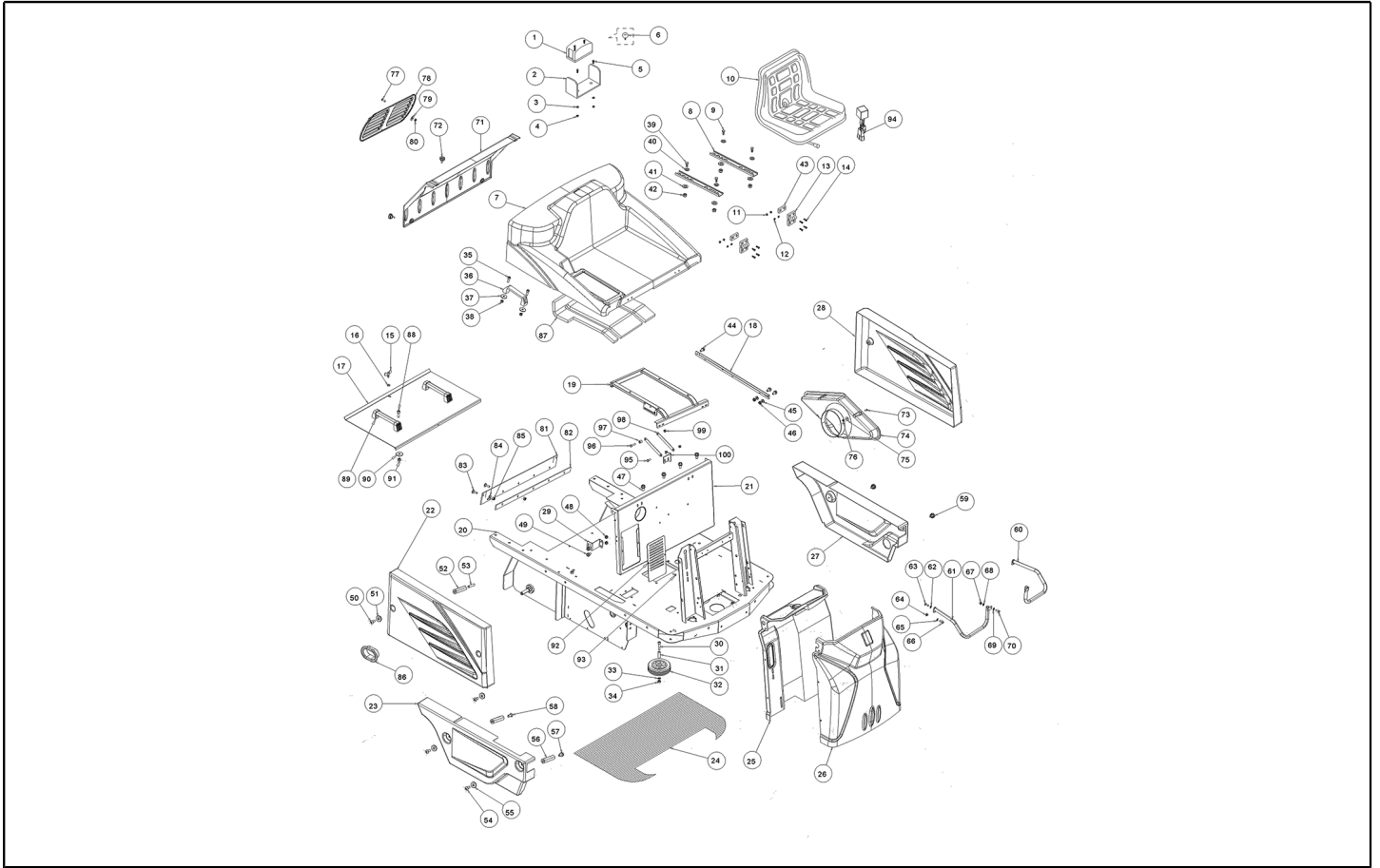
| Ref. K | Part N.   | Part N. 2 | Description                 | Quantity | Validity |    | Price |
|--------|-----------|-----------|-----------------------------|----------|----------|----|-------|
|        |           |           |                             |          | From     | To |       |
| 0091   | BAAC75749 |           | BATTERIE 12V 45A X SW1000SC | 1,00     |          |    | --    |



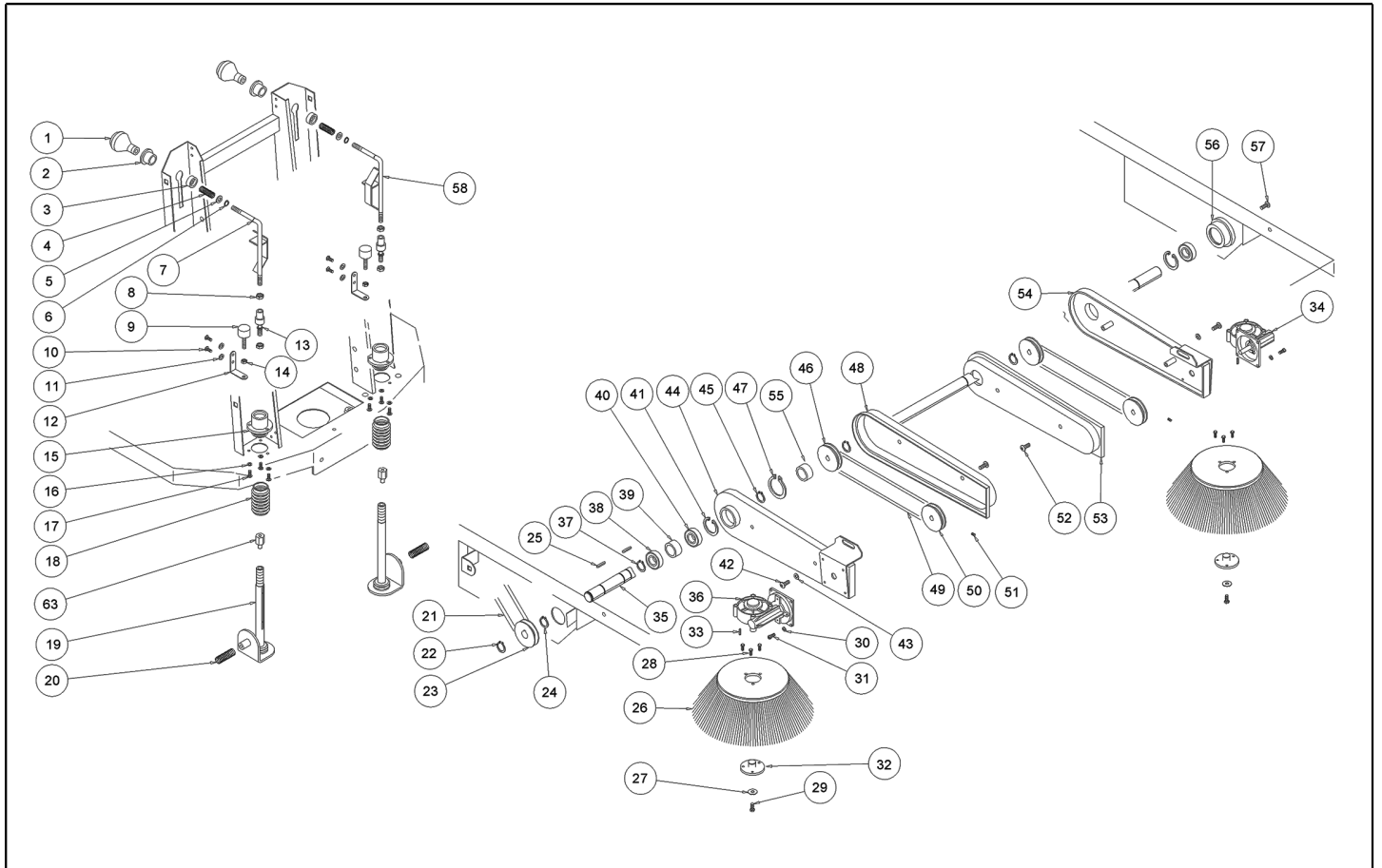
| Ref. K | Part N.   | Part N. 2 | Description                          | Quantity | Validity   |            | Price |
|--------|-----------|-----------|--------------------------------------|----------|------------|------------|-------|
|        |           |           |                                      |          | From       | To         |       |
| 0001   | KTRI00103 |           | AMPOULE FLASH 24V ORANGE             | 1,00     |            |            | --    |
| 0002   | KTRI00103 |           | AMPOULE FLASH 24V ORANGE             | 1,00     |            |            | --    |
| 0003   | VTRS15958 |           | RONDELLE UNI 6592 5X15X1,5 ZB        | 2,00     |            |            | --    |
| 0004   | VTDD08171 |           | ECROU M 5 TEF                        | 2,00     |            |            | --    |
| 0005   | VTVT45339 |           | VIS TBCE ISO 7380 5X16 ZB            | 2,00     |            |            | --    |
| 0006   | MEVR00009 |           | AMPOULE 12V/5W                       | 1,00     |            |            | --    |
| 0007   | MPVR06088 |           | CAPOT -                              | 1,00     |            |            | --    |
| 0008   | SESD45981 |           | SIEGE SC73 01.01.M4 PER TK1400       | 1,00     |            |            | --    |
| 0009   | VTVT00017 |           | VIS TE UNI 5739 8X35 ZB              | 4,00     |            |            | --    |
| 0010   | SESD45981 |           | SIEGE SC73 01.01.M4 PER TK1400       | 1,00     |            | 01/10/2018 | --    |
| 0010   | SESD45982 |           | SIEGE SC 73 L.14 CAPTEUR REED        | 1,00     | 02/10/2018 |            | --    |
| 0011   | VTDD00491 |           | ECROU M 6 TEF                        | 4,00     |            |            | --    |
| 0012   | VTRS00503 |           | RONDELLE D. 6 UNI 6798               | 4,00     |            |            | --    |
| 0013   | CEVR85332 |           | CHARNIERE MEB F D.6 TK               | 2,00     |            |            | --    |
| 0014   | VTVT06237 |           | VIS TCCE UNI 5931 6X20 ZB            | 4,00     |            |            | --    |
| 0015   | VTVR00044 |           | ELROU A AILETT. D.30 M6X20           | 1,00     |            |            | --    |
| 0016   | VTRS63242 |           | RONDELLE UNI 6593 6X24X2 ZB          | 1,00     |            |            | --    |
| 0017   | LAFN85308 |           | COUVERCLE SW 1000 21201003           | 1,00     |            |            | --    |
| 0018   | LAFN08190 |           | TOLE -                               | 1,00     |            |            | --    |
| 0019   | LAFN08178 |           | SUPPORT -                            | 1,00     |            |            | --    |
| 0020   | LAFN36061 |           | CHASSIS 1250-1280                    | 1,00     |            |            | --    |
| 0021   | LAFN08133 |           | PANNEAU -                            | 1,00     |            |            | --    |
| 0022   | MPVR06418 |           | FLASQUE -                            | 1,00     |            |            | --    |
| 0023   | MPVR06096 |           | COUVERTURE BOTTOM RH SIDE            | 1,00     |            |            | --    |
| 0024   | MPVR00763 |           | MARCHEPIED MILLERIGHE 1000S CON BIAD | 1,00     |            |            | --    |
| 0025   | MPVR06094 |           | JOUE -                               | 1,00     |            |            | --    |
| 0026   | MPVR06093 |           | COUVERTURE FRONT 1250-1280 GREEN     | 1,00     |            |            | --    |
| 0027   | MPVR06095 |           | CARTER -                             | 1,00     |            |            | --    |
| 0028   | MPVR06126 |           | TAPIS DE TRANS. SX                   | 1,00     |            |            | --    |
| 0029   | LAFN08210 |           | BRIDE -                              | 2,00     |            |            | --    |
| 0030   | VTVT28307 |           | VIS TCCE UNI 5931 10X70 ZN           | 2,00     |            |            | --    |
| 0031   | LAFN47011 |           | DOUILLE L.14                         | 2,00     |            |            | --    |
| 0032   | RTRT00013 |           | ROUE GOMMA D.125                     | 2,00     |            |            | --    |
| 0033   | VTRS00505 |           | RONDELLE D.10 UNI 6592               | 2,00     |            |            | --    |
| 0034   | VTDD00042 |           | ECROU AUT.M10 UNI7474                | 2,00     |            |            | --    |
| 0035   | VTVT00066 |           | VIS TCCE UNI 5931 8X25 ZB            | 4,00     |            |            | --    |
| 0036   | MPVR00411 |           | POIGNEE TRG                          | 2,00     |            |            | --    |
| 0037   | VTRS00513 |           | RONDELLE UNI 6593 8X32X2,5 ZB        | 4,00     |            |            | --    |
| 0038   | VTDD00124 |           | ECROU M8 DIN985                      | 4,00     |            |            | --    |
| 0039   | VTVT00017 |           | VIS TE UNI 5739 8X35 ZB              | 4,00     |            |            | --    |
| 0040   | VTRS00504 |           | RONDELLE D. 8 ZC. UNI 6592           | 2,00     |            |            | --    |
| 0041   | VTRS00512 |           | RONDELLE D. 8 X24 ZC.                | 4,00     |            |            | --    |
| 0042   | VTDD00124 |           | ECROU M8 DIN985                      | 4,00     |            |            | --    |
| 0043   | LAFN07909 |           | BRIDE -                              | 2,00     |            |            | --    |



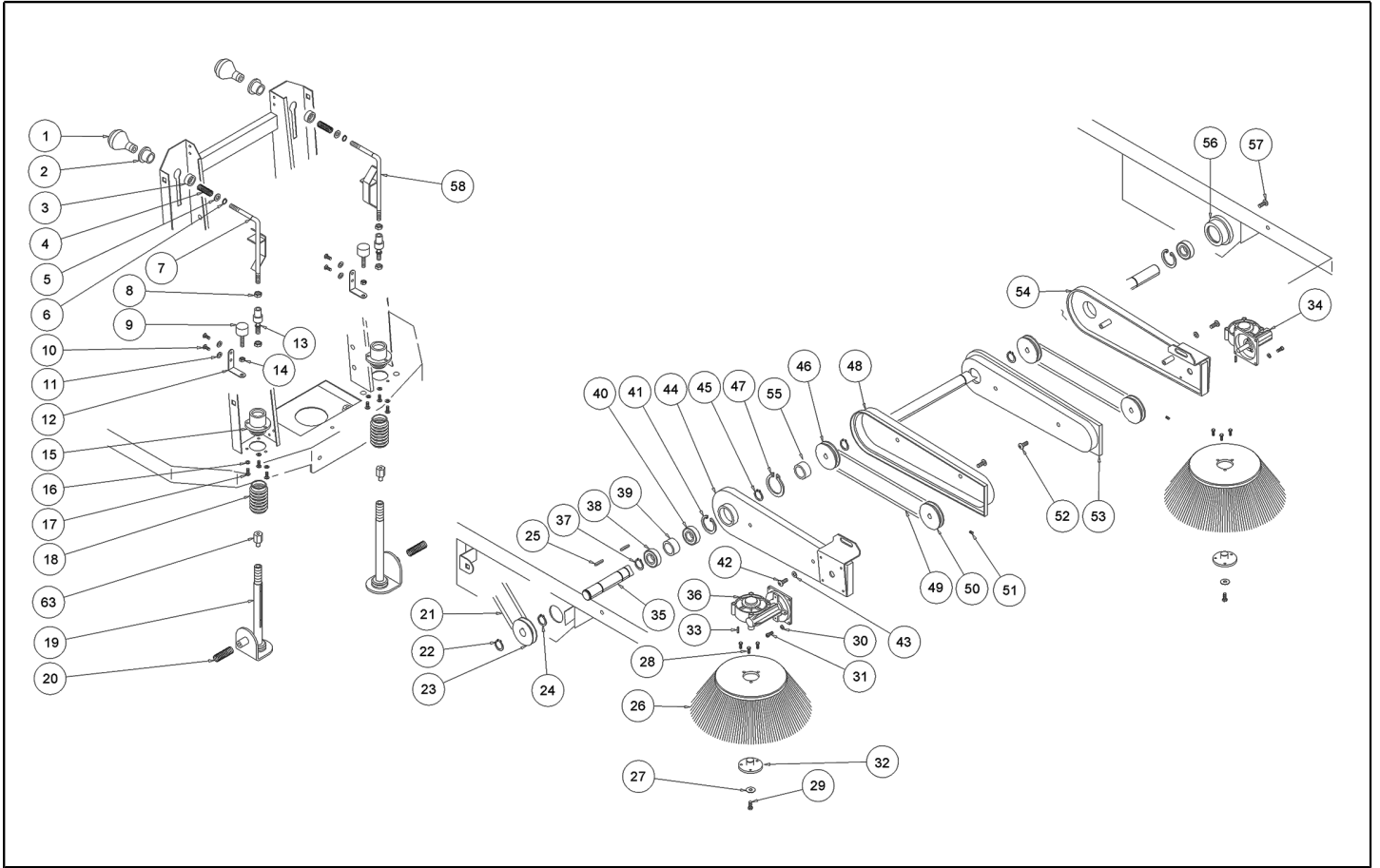
| Ref. K | Part N.   | Part N. 2 | Description                          | Quantity | Validity   |            | Price |
|--------|-----------|-----------|--------------------------------------|----------|------------|------------|-------|
|        |           |           |                                      |          | From       | To         |       |
| 0044   | VTVT62920 |           | VIS TE FR 6X16 ZB ZIGRINATE          | 3,00     |            |            | --    |
| 0045   | VTRS00503 |           | RONDELLE D. 6 UNI 6798               | 2,00     |            |            | --    |
| 0046   | VTDD00491 |           | ECROU M 6 TEF                        | 2,00     |            |            | --    |
| 0047   | VTVT62920 |           | VIS TE FR 6X16 ZB ZIGRINATE          | 4,00     |            |            | --    |
| 0048   | VTDD00491 |           | ECROU M 6 TEF                        | 4,00     |            |            | --    |
| 0049   | VTVT62920 |           | VIS TE FR 6X16 ZB ZIGRINATE          | 4,00     |            |            | --    |
| 0050   | VTVT75726 |           | VIS TBCE ISO 7380 6X16 ZB            | 4,00     |            |            | --    |
| 0051   | VTRS04026 |           | RONDELLE D. 6X18X2.38                | 4,00     |            |            | --    |
| 0052   | LAFN08211 |           | ENTRETOISE -                         | 4,00     |            |            | --    |
| 0053   | VTVT00900 |           | VIS SANS TETE M 6-30 CON ES          | 2,00     |            |            | --    |
| 0054   | VTVT75726 |           | VIS TBCE ISO 7380 6X16 ZB            | 2,00     |            |            | --    |
| 0055   | VTRS04026 |           | RONDELLE D. 6X18X2.38                | 2,00     |            |            | --    |
| 0056   | LAFN08211 |           | ENTRETOISE -                         | 2,00     |            |            | --    |
| 0057   | VTVT00527 |           | VIS TE FR 6X10 ZB ZIG.               | 2,00     |            |            | --    |
| 0058   | VTVT13515 |           | VIS TSPEI M6x16 UNI5933 10.9         | 2,00     |            |            | --    |
| 0059   | RTRT00022 |           | PETIT VOLANT D.30 M6X15              | 2,00     |            |            | --    |
| 0060   | LAFN08200 |           | PARE-CHOC LH SIDE 1250               | 1,00     |            |            | --    |
| 0061   | LAFN08201 |           | PARE-CHOC RH SIDE 1250               | 1,00     |            |            | --    |
| 0062   | VTRS00504 |           | RONDELLE D. 8 ZC. UNI 6592           | 2,00     |            |            | --    |
| 0063   | VTVT00446 |           | VIS TE UNI 5739 8X20 ACC.8.8         | 2,00     |            |            | --    |
| 0064   | VTDD00124 |           | ECROU M8 DIN985                      | 2,00     |            |            | --    |
| 0065   | VTRS00504 |           | RONDELLE D. 8 ZC. UNI 6592           | 2,00     |            |            | --    |
| 0066   | VTVT00446 |           | VIS TE UNI 5739 8X20 ACC.8.8         | 1,00     |            |            | --    |
| 0067   | VTDD00124 |           | ECROU M8 DIN985                      | 2,00     |            |            | --    |
| 0068   | VTRS00504 |           | RONDELLE D. 8 ZC. UNI 6592           | 2,00     |            |            | --    |
| 0069   | VTRS00504 |           | RONDELLE D. 8 ZC. UNI 6592           | 2,00     |            |            | --    |
| 0070   | VTVT00446 |           | VIS TE UNI 5739 8X20 ACC.8.8         | 2,00     |            |            | --    |
| 0071   | MPVR06097 |           | COUVERTURE REAR CONTAINER 1280 GREEN | 1,00     |            | 29/09/2014 | --    |
| 0071   | MPVR06417 |           | COUVERTURE -                         | 1,00     | 30/09/2014 |            | --    |
| 0072   | RTRT00022 |           | PETIT VOLANT D.30 M6X15              | 4,00     |            |            | --    |
| 0073   | VTVT75726 |           | VIS TBCE ISO 7380 6X16 ZB            | 4,00     | 30/09/2014 |            | --    |
| 0074   | MPVR06410 |           | TAPIS DE TRANS. -                    | 1,00     | 30/09/2014 |            | --    |
| 0075   | VTRS04026 |           | RONDELLE D. 6X18X2.38                | 4,00     | 30/09/2014 |            | --    |
| 0076   | VTDD00491 |           | ECROU M 6 TEF                        | 4,00     | 30/09/2014 |            | --    |
| 0077   | VTVT75726 |           | VIS TBCE ISO 7380 6X16 ZB            | 4,00     | 30/09/2014 |            | --    |
| 0078   | MPVR04916 |           | BRIDE COPERCHIO ASPIRATORI           | 1,00     | 30/09/2014 |            | --    |
| 0079   | VTRS04026 |           | RONDELLE D. 6X18X2.38                | 4,00     | 30/09/2014 |            | --    |
| 0080   | VTDD00491 |           | ECROU M 6 TEF                        | 4,00     | 30/09/2014 |            | --    |
| 0081   | MPVR06431 |           | FLAP -                               | 1,00     | 14/10/2014 |            | --    |
| 0082   | LAFN86529 |           | BLOCAGE FLAP                         | 1,00     | 14/10/2014 |            | --    |
| 0083   | VTVT75721 |           | VIS TTDE UNI 5732 6X16 ZB            | 7,00     | 14/10/2014 |            | --    |
| 0084   | VTRS04026 |           | RONDELLE D. 6X18X2.38                | 2,00     | 14/10/2014 |            | --    |
| 0085   | VTDD00491 |           | ECROU M 6 TEF                        | 7,00     | 14/10/2014 |            | --    |
| 0086   | MPVR04698 |           | CADRE FORO                           | 1,00     |            |            | --    |



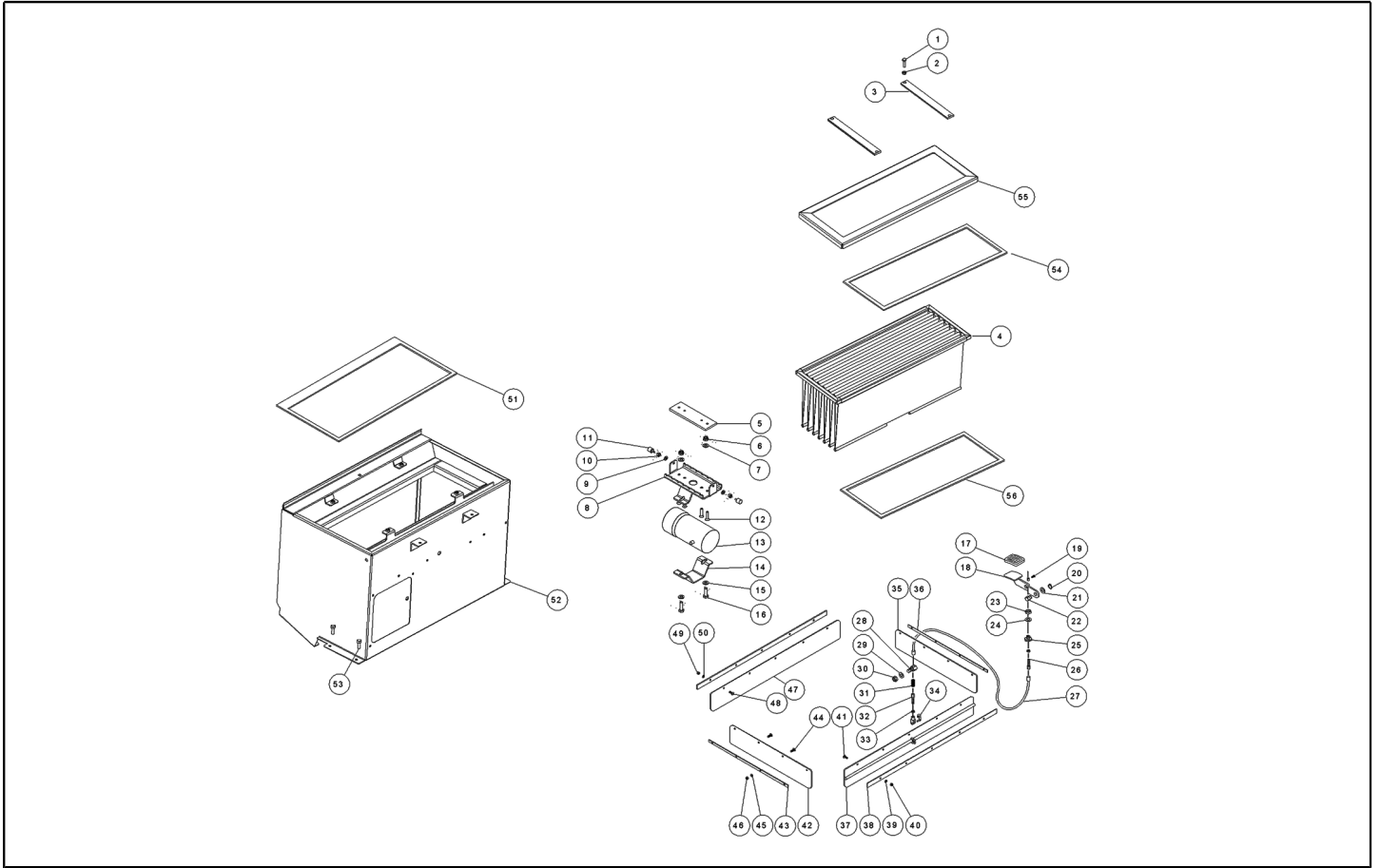
| Ref. K | Part N.   | Part N. 2 | Description                     | Quantity | Validity   |    | Price |
|--------|-----------|-----------|---------------------------------|----------|------------|----|-------|
|        |           |           |                                 |          | From       | To |       |
| 0087   | ITSO00074 |           | ISOLANT -                       | 1,00     |            |    | --    |
| 0088   | VTVT00066 |           | VIS TCCE UNI 5931 8X25 ZB       | 4,00     | 20/03/2015 |    | --    |
| 0089   | MPVR00411 |           | POIGNEE TRG                     | 2,00     | 20/03/2015 |    | --    |
| 0090   | VTRS00513 |           | RONDELLE UNI 6593 8X32X2,5 ZB   | 4,00     | 20/03/2015 |    | --    |
| 0091   | VTDD00124 |           | ECROU M8 DIN985                 | 4,00     | 20/03/2015 |    | --    |
| 0092   | LAFN08232 |           | CLOISON CARBURATEUR 1250-80 P-D | 1,00     | 17/11/2015 |    | --    |
| 0093   | VTVT75726 |           | VIS TBCE ISO 7380 6X16 ZB       | 2,00     | 17/11/2015 |    | --    |
| 0094   | MEVR02924 |           | FICHE SIEGE REED                | 1,00     | 02/10/2018 |    | --    |
| 0095   | VTVT00446 |           | VIS TE UNI 5739 8X20 ACC.8.8    | 1,00     | 18/02/2020 |    | --    |
| 0096   | VTVT00017 |           | VIS TE UNI 5739 8X35 ZB         | 1,00     | 18/02/2020 |    | --    |
| 0097   | LAFN04042 |           | ENTRETOISE D8.5-15              | 1,00     | 18/02/2020 |    | --    |
| 0098   | LAFN11499 |           | BRIDE CAPOT 838R-858R           | 2,00     | 18/02/2020 |    | --    |
| 0099   | VTDD00124 |           | ECROU M8 DIN985                 | 2,00     | 18/02/2020 |    | --    |
| 0100   | LAFN11498 |           | BRIDE CAPOT 838R-858R           | 1,00     | 18/02/2020 |    | --    |



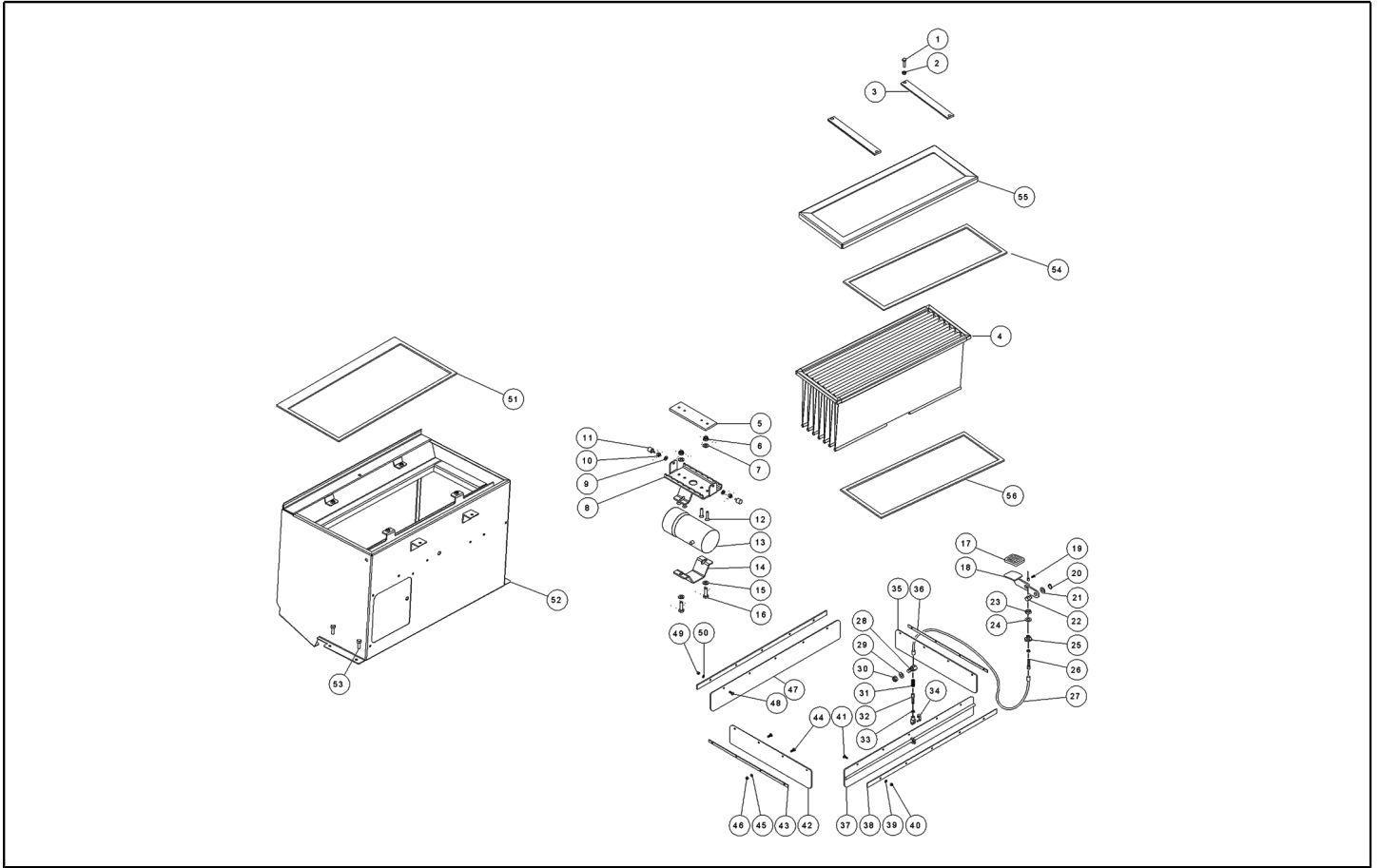
| Ref. K | Part N.   | Part N. 2 | Description                          | Quantity | Validity |    | Price |
|--------|-----------|-----------|--------------------------------------|----------|----------|----|-------|
|        |           |           |                                      |          | From     | To |       |
| 0001   | MPVR87264 |           | POIGNEE ALZASPAZZ.LAT.TK1000         | 2,00     |          |    | --    |
| 0002   | MPVR47076 |           | DOUILLE L.14 EXT.                    | 2,00     |          |    | --    |
| 0003   | MPVR47074 |           | DOUILLE L.14 INT.                    | 2,00     |          |    | --    |
| 0004   | MLML47075 |           | RESSORT D.15X 24 X1.5                | 2,00     |          |    | --    |
| 0005   | VTRS00505 |           | RONDELLE D.10 UNI 6592               | 2,00     |          |    | --    |
| 0006   | VTAE87276 |           | SEEGER EXT. D10 DIN471               | 2,00     |          |    | --    |
| 0007   | LAFN00700 |           | BRAS DX ALZA SPAZ. TK1000 ZINC       | 2,00     |          |    | --    |
| 0008   | VTDD00008 |           | ECROU M10 UNI 5589 ZB                | 4,00     |          |    | --    |
| 0009   | ABGO00008 |           | AMORTISSEUR PM 20X20 M6X20           | 2,00     |          |    | --    |
| 0010   | VTVT75726 |           | VIS TBCE ISO 7380 6X16 ZB            | 4,00     |          |    | --    |
| 0011   | VTRS04026 |           | RONDELLE D. 6X18X2.38                | 4,00     |          |    | --    |
| 0012   | MPVR86579 |           | SUPPORT TK                           | 2,00     |          |    | --    |
| 0013   | VTVR47072 |           | JOINT A ROTULES ASSIALE M10          | 2,00     |          |    | --    |
| 0014   | VTDD00482 |           | ECROU M 6 ZIN UNI 5588               | 2,00     |          |    | --    |
| 0015   | LAFN87266 |           | BRIDE SUPP.SPAZZ.LAT.TK1000ZN        | 2,00     |          |    | --    |
| 0016   | VTRS00503 |           | RONDELLE D. 6 UNI 6798               | 6,00     |          |    | --    |
| 0017   | VTVT75726 |           | VIS TBCE ISO 7380 6X16 ZB            | 6,00     |          |    | --    |
| 0018   | MPVR47066 |           | PROTECTION L.14                      | 2,00     |          |    | --    |
| 0019   | LAFN87267 |           | SUPPORT BRAS LAT.DX/SX TK1000S       | 2,00     |          |    | --    |
| 0020   | MLML75963 |           | RESSORT                              | 2,00     |          |    | --    |
| 0021   | MTCG00139 |           | COURROIE XPZ ESEC.6T 6B LP825        | 1,00     |          |    | --    |
| 0022   | VTAE13512 |           | BAGUE D'ARRET D. 17 UNI 7435         | 1,00     |          |    | --    |
| 0023   | MTPL00016 |           | POULIE D.78 H.25                     | 1,00     |          |    | --    |
| 0024   | VTAE13512 |           | BAGUE D'ARRET D. 17 UNI 7435         | 1,00     |          |    | --    |
| 0025   | VTVR33667 |           | CLE UNI 6604 5X5X25                  | 2,00     |          |    | --    |
| 0026   | SPPV00018 |           | BROSSE LATÉRALE 1202-1250-1280       | 2,00     |          |    | --    |
| 0027   | VTRS63242 |           | RONDELLE UNI 6593 6X24X2 ZB          | 2,00     |          |    | --    |
| 0028   | VTVT62920 |           | VIS TE FR 6X16 ZB ZIGRINATE          | 6,00     |          |    | --    |
| 0029   | VTVT00527 |           | VIS TE FR 6X10 ZB ZIG.               | 2,00     |          |    | --    |
| 0030   | VTRS00503 |           | RONDELLE D. 6 UNI 6798               | 8,00     |          |    | --    |
| 0031   | VTVT75726 |           | VIS TBCE ISO 7380 6X16 ZB            | 8,00     |          |    | --    |
| 0032   | LAFN45010 |           | BRIDE L.1400 LT.                     | 2,00     |          |    | --    |
| 0033   | VTVR33667 |           | CLE UNI 6604 5X5X25                  | 2,00     |          |    | --    |
| 0034   | RDGR75786 |           | REDUCTEUR SPAZ.LAT.SX TK1000S        | 1,00     |          |    | --    |
| 0035   | ALTR87270 |           | ARBRE TRAS.SX SPAZ.LAT TK1000S       | 1,00     |          |    | --    |
| 0036   | RDGR85001 |           | REDUCTEUR SPAZ.LAT.DX TK1000S        | 1,00     |          |    | --    |
| 0037   | VTAE13512 |           | BAGUE D'ARRET D. 17 UNI 7435         | 1,00     |          |    | --    |
| 0038   | CUVR00008 |           | ROULEMENT 6003 2RS                   | 1,00     |          |    | --    |
| 0039   | LAFN00102 |           | ENTRETOISE CUSCIN.MOZZO SOST.SP.LAT. | 1,00     |          |    | --    |
| 0040   | CUVR00008 |           | ROULEMENT 6003 2RS                   | 2,00     |          |    | --    |
| 0041   | VTAE17002 |           | BAGUE D'ARRET D. 35 UNI 7437         | 2,00     |          |    | --    |
| 0042   | VTVT87271 |           | VIS TBCE ISO 7380 8X16 ZB            | 2,00     |          |    | --    |
| 0043   | VTRS00512 |           | RONDELLE D. 8 X24 ZC.                | 2,00     |          |    | --    |
| 0044   | LAFN76761 |           | BRAS DX SW1000S TK22601034           | 1,00     |          |    | --    |



| Ref. K | Part N.   | Part N. 2 | Description                           | Quantity | Validity |    | Price |
|--------|-----------|-----------|---------------------------------------|----------|----------|----|-------|
|        |           |           |                                       |          | From     | To |       |
| 0045   | VTAE13512 |           | BAGUE D'ARRET D. 17 UNI 7435          | 1,00     |          |    | --    |
| 0046   | MTPL87275 |           | POULIE D.96 H.26                      | 1,00     |          |    | --    |
| 0047   | VTAE87277 |           | SEEGER ESTERNO DIN 471 D.45           | 2,00     |          |    | --    |
| 0048   | MPVR87287 |           | CARTER LATÉRALE DX TK1000S            | 1,00     |          |    | --    |
| 0049   | MTCG85309 |           | COURROIE 8X 905                       | 2,00     |          |    | --    |
| 0050   | MTPL87274 |           | POULIE D.75 H.27                      | 2,00     |          |    | --    |
| 0051   | VTVT86570 |           | VIS SANS TÊTE UNI 5927 6X10 CON PUNTA | 2,00     |          |    | --    |
| 0052   | VTVT45395 |           | VIS TBCE ISO 7380 8X10 ZB             | 4,00     |          |    | --    |
| 0053   | MPVR87281 |           | CARTER LATÉRALE SX TK1000S            | 1,00     |          |    | --    |
| 0054   | LAFN87273 |           | BRAS ALZ.LAT.SX TK1000S VERN          | 1,00     |          |    | --    |
| 0055   | LAFN11094 |           | ENTRETOISE Øe 24 Øi 17.5 L 16         | 1,00     |          |    | --    |
| 0056   | LAFN87280 |           | MOYEU SOSTEGNO SX ALB.SP AZ.LAT.      | 1,00     |          |    | --    |
| 0057   | VTVT47025 |           | VIS TBCE ISO 7380 10X16 ZB            | 1,00     |          |    | --    |
| 0058   | LAFN87265 |           | BRAS ALZASP.LAT.SX TK1000 ZN          | 1,00     |          |    | --    |
| 0063   | LAFN08217 |           | ENTRETOISE -                          | 2,00     |          |    | --    |

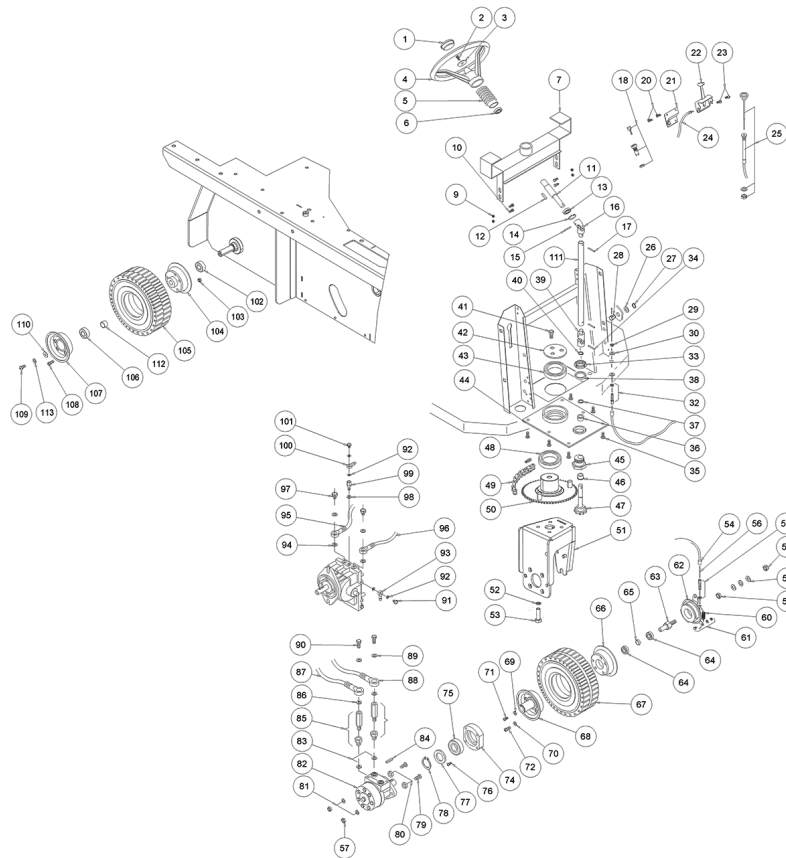


| Ref. K | Part N.   | Part N. 2 | Description                    | Quantity | Validity |    | Price |
|--------|-----------|-----------|--------------------------------|----------|----------|----|-------|
|        |           |           |                                |          | From     | To |       |
| 0001   | VTVT00446 |           | VIS TE UNI 5739 8X20 ACC.8.8   | 4,00     |          |    | --    |
| 0002   | VTDD00483 |           | ECROU M 8 ZIN UNI 5588         | 4,00     |          |    | --    |
| 0003   | LAFN11464 |           | PLAQUE FILTRE 1250-80          | 2,00     |          |    | --    |
| 0004   | FTDP00214 |           | FILTRE PLEATED POLYESTER 1280  | 1,00     |          |    | --    |
| 0005   | LAFN08921 |           | PLAT -                         | 1,00     |          |    | --    |
| 0006   | VTDD00042 |           | ECROU AUT.M10 UNI7474          | 2,00     |          |    | --    |
| 0007   | VTRS00505 |           | RONDELLE D.10 UNI 6592         | 2,00     |          |    | --    |
| 0008   | LAFN08917 |           | BRIDE -                        | 1,00     |          |    | --    |
| 0009   | VTRS00503 |           | RONDELLE D. 6 UNI 6798         | 2,00     |          |    | --    |
| 0010   | VTDD00491 |           | ECROU M 6 TEF                  | 2,00     |          |    | --    |
| 0011   | ABGO00013 |           | AMORTISSEUR 25x25 M6x25        | 2,00     |          |    | --    |
| 0012   | VTVT00427 |           | VIS TSPEI 8X35 UNI5933 INX     | 4,00     |          |    | --    |
| 0013   | MOCC00404 |           | MOTEUR                         | 1,00     |          |    | --    |
| 0014   | LAFN06718 |           | BRIDE -                        | 1,00     |          |    | --    |
| 0015   | VTRS00505 |           | RONDELLE D.10 UNI 6592         | 2,00     |          |    | --    |
| 0016   | VTVT00458 |           | VIS TE M 10X35 ZINC. UNI 5739  | 2,00     |          |    | --    |
| 0017   | MPVR45096 |           | CAOUTCHOUC V 1201 GR.          | 1,00     |          |    | --    |
| 0018   | LAFN76008 |           | PEDALE FLAP TK1000             | 1,00     |          |    | --    |
| 0019   | VTVR00028 |           | BORNE PER CASSETTO G1300       | 1,00     |          |    | --    |
| 0020   | VTAE14016 |           | SEEGER ESTERNO DIN 471 D.12    | 1,00     |          |    | --    |
| 0021   | VTRS00506 |           | RONDELLE D.12 UNI 6592         | 1,00     |          |    | --    |
| 0022   | LAFN75973 |           | PIVOT FLAP TK                  | 1,00     |          |    | --    |
| 0023   | VTDD01682 |           | ECROU M12 ZC UNI 5588          | 1,00     |          |    | --    |
| 0024   | VTRS00505 |           | RONDELLE D.10 UNI 6592         | 1,00     |          |    | --    |
| 0025   | LAFN75975 |           | PIVOT TK                       | 1,00     |          |    | --    |
| 0026   | CMCV75723 |           | REGLEUR D.7                    | 1,00     |          |    | --    |
| 0027   | CMCV75905 |           | GAINA X CABLE                  | 1,00     |          |    | --    |
| 0028   | LAFN75976 |           | GUIDE RESSORT TK 1000          | 1,00     |          |    | --    |
| 0029   | VTRS00506 |           | RONDELLE D.12 UNI 6592         | 1,00     |          |    | --    |
| 0030   | VTDD00012 |           | ECROU AUTOBLOK DIN 985 M12 ZB  | 1,00     |          |    | --    |
| 0031   | MLML75962 |           | RESSORT                        | 1,00     |          |    | --    |
| 0032   | CMCV45110 |           | CORDE D. 2.5 FLAP L.14         | 1,00     |          |    | --    |
| 0033   | VTDD00482 |           | ECROU M 6 ZIN UNI 5588         | 1,00     |          |    | --    |
| 0034   | CMCV75717 |           | AGRAFE UNI 1676 M6             | 1,00     |          |    | --    |
| 0035   | MPVR75936 |           | FLAP LH-RH SIDES TK1000        | 1,00     |          |    | --    |
| 0036   | LAFN00305 |           | BLOCAGE FLAP DX/SX TK1000 NERO | 1,00     |          |    | --    |
| 0037   | MPVR75935 |           | FLAP FRONT TK1000 MODELS       | 1,00     |          |    | --    |
| 0038   | LAFN86529 |           | BLOCAGE FLAP                   | 1,00     |          |    | --    |
| 0039   | VTRS00503 |           | RONDELLE D. 6 UNI 6798         | 8,00     |          |    | --    |
| 0040   | VTDD00491 |           | ECROU M 6 TEF                  | 8,00     |          |    | --    |
| 0041   | VTVT75721 |           | VIS TTDE UNI 5732 6X16 ZB      | 8,00     |          |    | --    |
| 0042   | MPVR75936 |           | FLAP LH-RH SIDES TK1000        | 1,00     |          |    | --    |
| 0043   | LAFN00305 |           | BLOCAGE FLAP DX/SX TK1000 NERO | 1,00     |          |    | --    |
| 0044   | VTVT75721 |           | VIS TTDE UNI 5732 6X16 ZB      | 4,00     |          |    | --    |

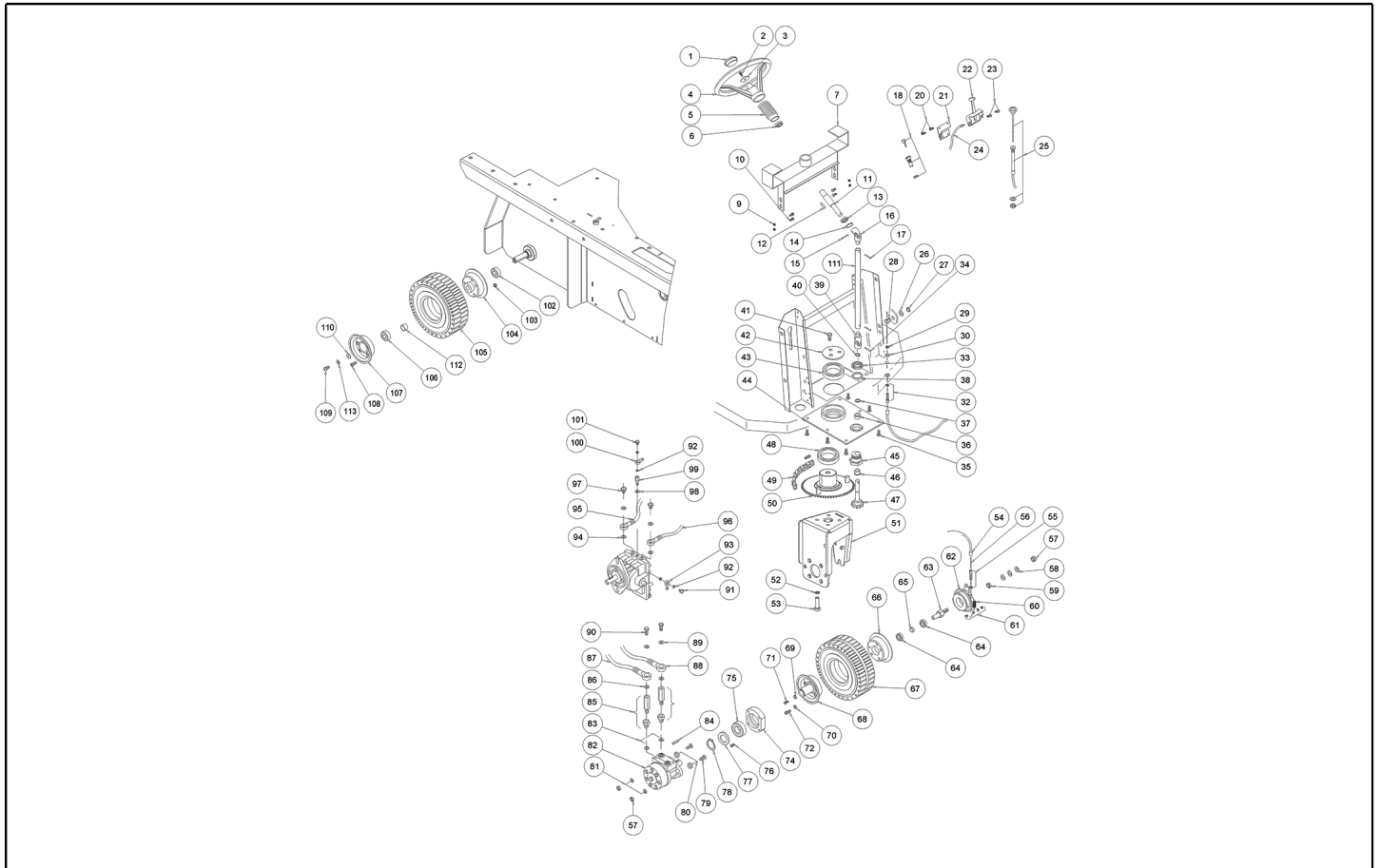


| Ref. K | Part N.   | Part N. 2 | Description                   | Quantity | Validity |    | Price |
|--------|-----------|-----------|-------------------------------|----------|----------|----|-------|
|        |           |           |                               |          | From     | To |       |
| 0045   | VTRS00503 |           | RONDELLE D. 6 UNI 6798        | 4,00     |          |    | --    |
| 0046   | VTDD00491 |           | ECROU M 6 TEF                 | 4,00     |          |    | --    |
| 0047   | MPVR75934 |           | FLAP REAR TK1000              | 1,00     |          |    | --    |
| 0048   | VTVT75721 |           | VIS TTDE UNI 5732 6X16 ZB     | 5,00     |          |    | --    |
| 0049   | VTDD00491 |           | ECROU M 6 TEF                 | 5,00     |          |    | --    |
| 0050   | VTRS00503 |           | RONDELLE D. 6 UNI 6798        | 5,00     |          |    | --    |
| 0051   | KTRI01997 |           | KIT -                         | 1,00     |          |    | --    |
| 0052   | LAFN36060 |           | CHASSIS SUPPORT POCKET FILTER | 1,00     |          |    | --    |
| 0053   | VTVT62920 |           | VIS TE FR 6X16 ZB ZIGRINATE   | 4,00     |          |    | --    |
| 0054   | MPVR00051 |           | MOUSSE 15X5                   | 2,00     |          |    | --    |
| 0055   | LAFN11463 |           | FILTRE FILTRE 1250-80         | 1,00     |          |    | --    |
| 0056   | MPVR00051 |           | MOUSSE 15X5                   | 2,00     |          |    | --    |

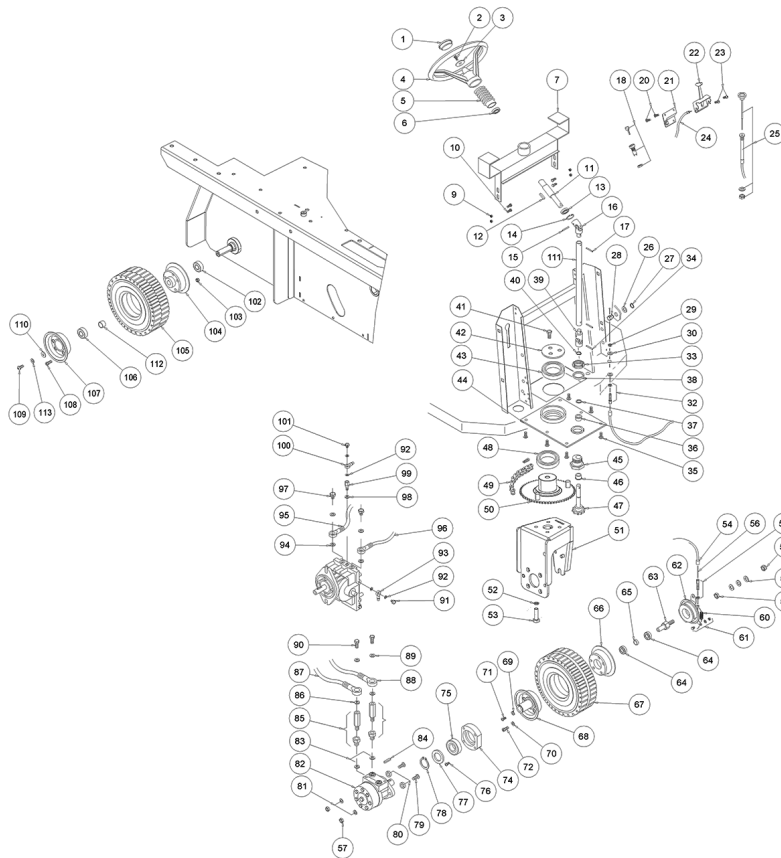




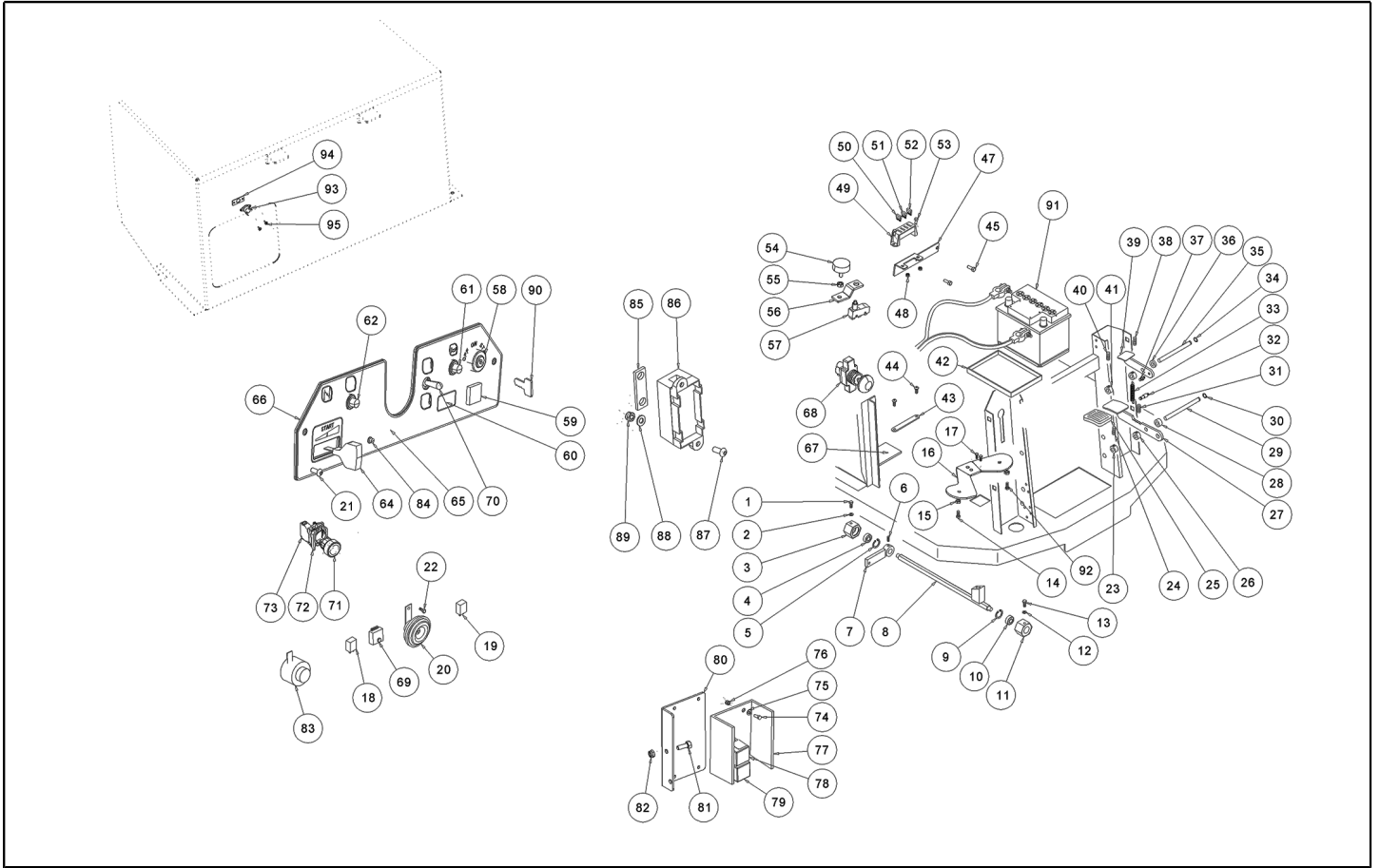
| Ref. K | Part N.   | Part N. 2 | Description                        | Quantity | Validity   |            | Price |
|--------|-----------|-----------|------------------------------------|----------|------------|------------|-------|
|        |           |           |                                    |          | From       | To         |       |
| 0001   | MPVR47026 |           | BOUCHON NOIR L.14                  | 1,00     |            |            | --    |
| 0002   | VTVT47025 |           | VIS TBCE ISO 7380 10X16 ZB         | 1,00     |            |            | --    |
| 0003   | VTRS44254 |           | RONDELLE UNI 6593 10X40X2,5 ZB     | 1,00     |            |            | --    |
| 0004   | MPVR47027 |           | VOLANT D. 320 L.14                 | 1,00     |            |            | --    |
| 0005   | MPVR47066 |           | PROTECTION L.14                    | 1,00     |            |            | --    |
| 0006   | CUVR00005 |           | ROULEMENT 6202 2RS                 | 1,00     |            |            | --    |
| 0007   | LAFN09337 |           | SUPPORT 1250-1280                  | 1,00     |            |            | --    |
| 0009   | VTDD07887 |           | ECROU M 6 SERPRESS                 | 4,00     |            |            | --    |
| 0010   | VTVT62920 |           | VIS TE FR 6X16 ZB ZIGRINATE        | 4,00     |            |            | --    |
| 0011   | ALTR00011 |           | ARBRE PER VOLANTE TK1000           | 1,00     |            |            | --    |
| 0012   | VTVR13164 |           | CLE UNI 6604 5X5X30                | 1,00     |            |            | --    |
| 0013   | CUVR00005 |           | ROULEMENT 6202 2RS                 | 1,00     |            |            | --    |
| 0014   | VTAE17002 |           | BAGUE D'ARRET D. 35 UNI 7437       | 1,00     |            |            | --    |
| 0015   | VTVR46987 |           | PRISE ELASTIQUE DIN 1481 5X25      | 1,00     |            | 01/05/2017 | --    |
| 0015   | VTVR00327 |           | GOUPILLE -                         | 1,00     | 02/05/2017 |            | --    |
| 0016   | PMTR00021 |           | ARBRE STERZO 1000 T.NUOVO COMPL    | 1,00     |            |            | --    |
| 0017   | VTVR46987 |           | PRISE ELASTIQUE DIN 1481 5X25      | 1,00     |            | 01/05/2017 | --    |
| 0017   | VTVR00327 |           | GOUPILLE -                         | 1,00     | 02/05/2017 |            | --    |
| 0018   | MEC187180 |           | INTERRUPTEUR A CHIAVE              | 1,00     |            |            | --    |
| 0020   | VTVT00058 |           | VIS TCEI M 5X12 ZB U.5931          | 2,00     |            |            | --    |
| 0021   | LAFN00668 |           | SUPPORT ACCELERATORE 1000SH ZINC.  | 1,00     |            |            | --    |
| 0022   | CMCV75739 |           | ACCELERATEUR TK S                  | 1,00     |            |            | --    |
| 0023   | VTVT00527 |           | VIS TE FR 6X10 ZB ZIG.             | 2,00     |            |            | --    |
| 0024   | CMCV87184 |           | CABLE + GU. TK 1000                | 1,00     |            |            | --    |
| 0025   | CMCV87185 |           | CABLE + GU. STARTER TK             | 1,00     |            |            | --    |
| 0026   | VTRS00506 |           | RONDELLE D.12 UNI 6592             | 1,00     |            |            | --    |
| 0027   | VTAE14016 |           | SEEGER ESTERNO DIN 471 D.12        | 1,00     |            |            | --    |
| 0028   | LAFN75973 |           | PIVOT FLAP TK                      | 1,00     |            |            | --    |
| 0029   | CMCV75723 |           | REGLEUR D.7                        | 1,00     |            |            | --    |
| 0030   | VTRS00504 |           | RONDELLE D. 8 ZC. UNI 6592         | 2,00     |            |            | --    |
| 0032   | CMCV75723 |           | REGLEUR D.7                        | 1,00     |            |            | --    |
| 0033   | VTVR75747 |           | FRETTE AUTOBLOK M35X1,5 GUK        | 1,00     |            |            | --    |
| 0034   | VTVR46987 |           | PRISE ELASTIQUE DIN 1481 5X25      | 1,00     |            | 01/05/2017 | --    |
| 0034   | VTVR00327 |           | GOUPILLE -                         | 1,00     | 02/05/2017 |            | --    |
| 0035   | VTVT00455 |           | VIS TE 10X20 UNI5739               | 6,00     |            |            | --    |
| 0036   | LAFN75841 |           | DOUILLE TK 1000                    | 1,00     |            |            | --    |
| 0037   | MPVR75734 |           | EPAISSEUR D.15X22X0.5              | 1,00     |            |            | --    |
| 0038   | LAFN75913 |           | ENTRETOISE TK                      | 1,00     |            |            | --    |
| 0039   | PMTR00021 |           | ARBRE STERZO 1000 T.NUOVO COMPL    | 1,00     |            |            | --    |
| 0040   | VTAE17003 |           | BAGUE D'ARRET ESTERNO DIN 471 D.15 | 1,00     |            |            | --    |
| 0041   | VTVT00014 |           | VIS TE UNI 5739 8X20 CL.10.9       | 3,00     |            |            | --    |
| 0042   | LAFN47004 |           | BRIDE TK1400                       | 1,00     |            |            | --    |
| 0043   | CUVR75816 |           | ROULEMENT 51112                    | 1,00     |            |            | --    |
| 0044   | LAFN85521 |           | BRIDE SW1000 21501004              | 1,00     |            |            | --    |



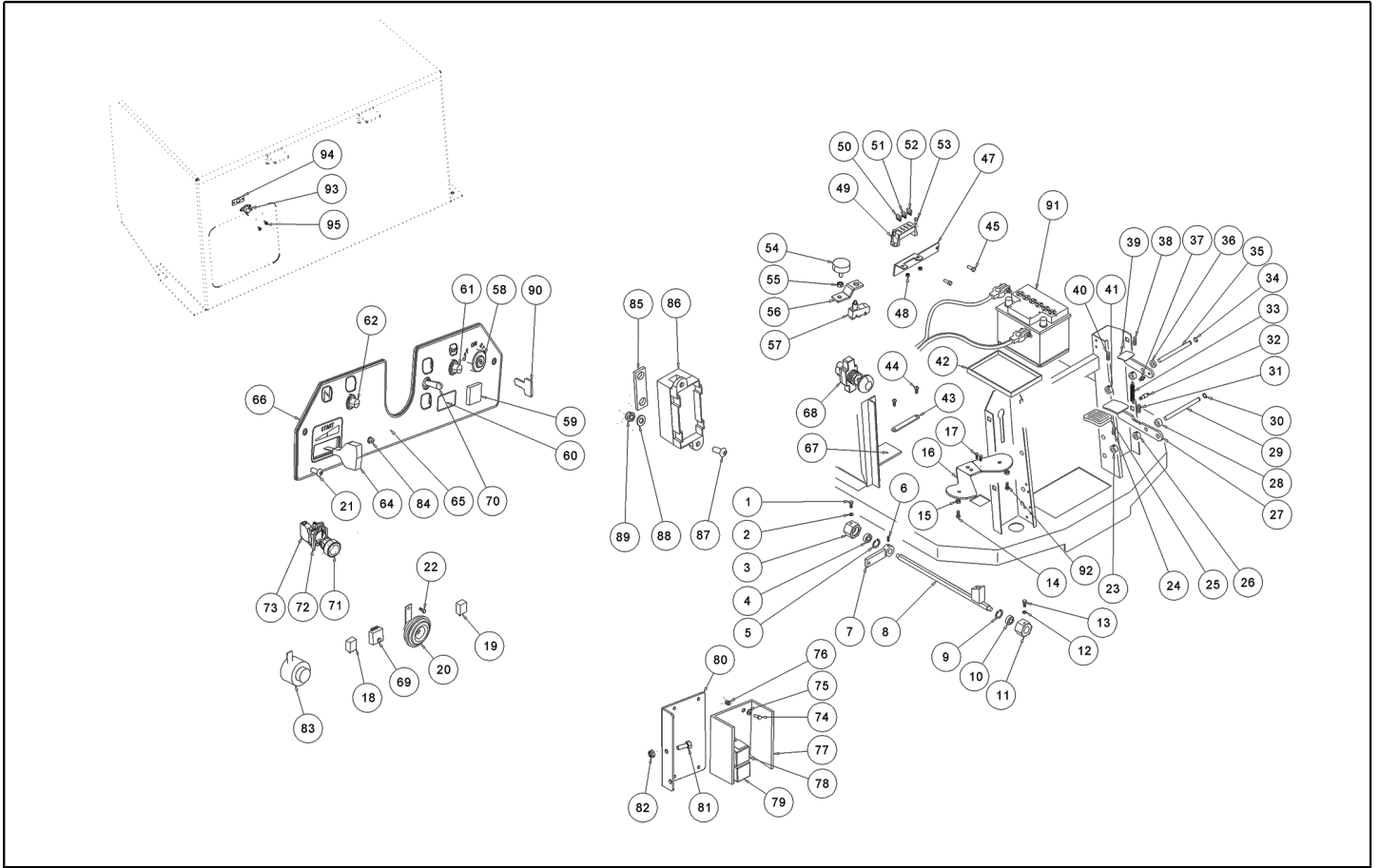
| Ref. K | Part N.   | Part N. 2 | Description                        | Quantity | Validity |    | Price |
|--------|-----------|-----------|------------------------------------|----------|----------|----|-------|
|        |           |           |                                    |          | From     | To |       |
| 0045   | LAFN75842 |           | DOUILLE TK 1000                    | 1,00     |          |    | --    |
| 0046   | LAFN75841 |           | DOUILLE TK 1000                    | 1,00     |          |    | --    |
| 0047   | KTRI46514 |           | PIVOT TK 1000 + BUSCH.             | 1,00     |          |    | --    |
| 0048   | CUVR75816 |           | ROULEMENT 51112                    | 1,00     |          |    | --    |
| 0049   | MTCR85008 |           | CHAINE SWEEP 1000 ET               | 1,00     |          |    | --    |
| 0050   | LAFN08185 |           | FREIN -                            | 1,00     |          |    | --    |
| 0051   | LAFN08177 |           | SUPPORT -                          | 1,00     |          |    | --    |
| 0052   | VTRS00107 |           | RONDELLE M10 Grower                | 4,00     |          |    | --    |
| 0053   | VTVT00455 |           | VIS TE 10X20 UNI5739               | 4,00     |          |    | --    |
| 0054   | CMCV47132 |           | GAINE L.14 A.FLAP                  | 1,00     |          |    | --    |
| 0055   | CMCV75723 |           | REGLEUR D.7                        | 1,00     |          |    | --    |
| 0056   | CMCV85320 |           | CABLE D.2,5 L.760 21251003         | 1,00     |          |    | --    |
| 0057   | VTDD00012 |           | ECROU AUTOBLOK DIN 985 M12 ZB      | 1,00     |          |    | --    |
| 0058   | VTRS00506 |           | RONDELLE D.12 UNI 6592             | 3,00     |          |    | --    |
| 0059   | VTDD00498 |           | ECROU UNI 5588 M12 ZN              | 1,00     |          |    | --    |
| 0060   | MLML75964 |           | RESSORT D. 11,3 X100 X1,5 TK       | 1,00     |          |    | --    |
| 0061   | VTVR00029 |           | BORNE FRENO ART.7056               | 1,00     |          |    | --    |
| 0062   | LAFN86483 |           | FREIN ANT.D.90 TK1000              | 1,00     |          |    | --    |
| 0063   | LAFN86494 |           | PIVOT RUOTA ANTERIORE TK1000S      | 1,00     |          |    | --    |
| 0064   | CUVR00005 |           | ROULEMENT 6202 2RS                 | 2,00     |          |    | --    |
| 0065   | LAFN00096 |           | DOUILLE DISTANZ.CUSC.RUOTA ANT.    | 1,00     |          |    | --    |
| 0066   | LAFN85291 |           | MOYEU SW 1000 22501002             | 1,00     |          |    | --    |
| 0067   | KTRI75744 |           | ROUES ARRIERES TK1000              | 1,00     |          |    | --    |
| 0068   | LAFN00630 |           | MOYEU RUOTA ANTER.MOTO.IDRAUL.     | 1,00     |          |    | --    |
| 0069   | VTRS00512 |           | RONDELLE D. 8 X24 ZC.              | 1,00     |          |    | --    |
| 0070   | VTRS01080 |           | RONDELLE D. 8 GRW                  | 5,00     |          |    | --    |
| 0071   | VTVT87271 |           | VIS TBCE ISO 7380 8X16 ZB          | 1,00     |          |    | --    |
| 0072   | VTVT29810 |           | VIS TCCE UNI 5931 8X20 ZB          | 5,00     |          |    | --    |
| 0074   | LAFN00097 |           | DOUILLE PORTA CUSCINETTO 6008      | 1,00     |          |    | --    |
| 0075   | CUVR48690 |           | ROULEM.A BILLES 6008-2RS1          | 1,00     |          |    | --    |
| 0076   | VTVT63134 |           | VIS M 8X25 TSPEI ZC UNI 5933       | 4,00     |          |    | --    |
| 0077   | LAFN00094 |           | ENTRETOISE CUSCINETTO 6008         | 1,00     |          |    | --    |
| 0078   | VTAE00005 |           | BAGUE D'ARRET D. 40 UNI 7435       | 1,00     |          |    | --    |
| 0079   | VTVT00073 |           | VIS TCCE UNI 5931 12X45 ZB         | 2,00     |          |    | --    |
| 0080   | LAFN00103 |           | ENTRETOISE FISS.MOT.IDR.RUOTA ANT. | 2,00     |          |    | --    |
| 0081   | VTRS00506 |           | RONDELLE D.12 UNI 6592             | 2,00     |          |    | --    |
| 0082   | PPBP00001 |           | MOTEUR IDRAULICO MGLR 100A 25NIT   | 1,00     |          |    | --    |
| 0083   | VTRS00006 |           | RONDELLE RAME D.20                 | 2,00     |          |    | --    |
| 0084   | VTVR00005 |           | CLE UNI 6604 8X7X32                | 1,00     |          |    | --    |
| 0085   | LAFN01074 |           | COLONNE MOTORE IDRAULUCO TK1000S   | 2,00     |          |    | --    |
| 0086   | VTRS00548 |           | RONDELLE D.17,5X23X1,5 (3/8)RM     | 2,00     |          |    | --    |
| 0087   | TBFX85523 |           | TUYAU 5/16 COMPL.L.1410 MARCIA     | 1,00     |          |    | --    |
| 0088   | TBFX85522 |           | TUYAU 5/16 L.1530 25001001         | 1,00     |          |    | --    |
| 0089   | VTRS00548 |           | RONDELLE D.17,5X23X1,5 (3/8)RM     | 2,00     |          |    | --    |



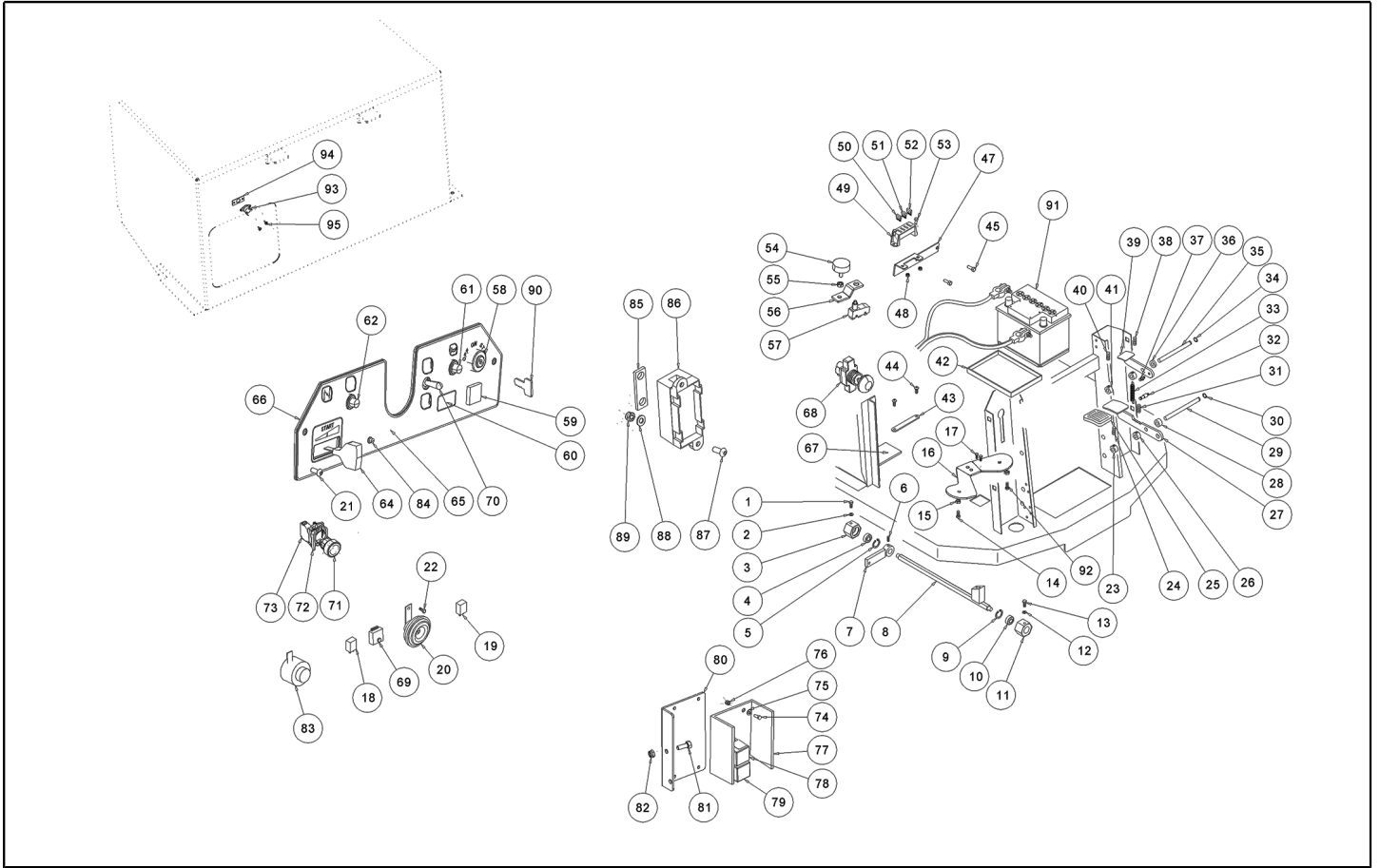
| Ref. K | Part N.   | Part N. 2 | Description                          | Quantity | Validity   |            | Price |
|--------|-----------|-----------|--------------------------------------|----------|------------|------------|-------|
|        |           |           |                                      |          | From       | To         |       |
| 0090   | RCVR00040 |           | VIS FORATA 3/8"                      | 2,00     |            |            | --    |
| 0091   | RCVR00038 |           | VIS FORATA 9/16" JIC                 | 1,00     |            |            | --    |
| 0092   | VTRS00003 |           | RONDELLE RAME D.14                   | 4,00     |            |            | --    |
| 0093   | TBBP00436 |           | TUYAU L=490                          | 1,00     | 25/11/2016 |            | --    |
| 0093   | TBBP87182 |           | TUYAU BASSA PRESSIONE L.670          | 1,00     |            | 24/11/2016 | --    |
| 0094   | VTRS00006 |           | RONDELLE RAME D.20                   | 2,00     |            |            | --    |
| 0095   | TBFX85523 |           | TUYAU 5/16 COMPL.L.1410 MARCIA       | 1,00     |            |            | --    |
| 0096   | TBFX85522 |           | TUYAU 5/16 L.1530 25001001           | 1,00     |            |            | --    |
| 0097   | RCVR00039 |           | VIS FORATA 3/4" JIC                  | 2,00     |            |            | --    |
| 0098   | VTRS00004 |           | RONDELLE ACCIAIO 7/16 JIC            | 1,00     |            |            | --    |
| 0099   | RCVR00057 |           | RACCORD ASPIRAZIONE OLIO ZINC.       | 1,00     |            |            | --    |
| 0100   | TBBP87182 |           | TUYAU BASSA PRESSIONE L.670          | 1,00     |            |            | --    |
| 0101   | RCVR00041 |           | VIS FORATA M14X1,5                   | 1,00     |            |            | --    |
| 0102   | CUVR00008 |           | ROULEMENT 6003 2RS                   | 2,00     |            | 24/07/2016 | --    |
| 0102   | CUVR00104 |           | ROULEMENT SKF 6003- 2RSH             | 2,00     | 25/07/2016 |            | --    |
| 0103   | VTDD00124 |           | ECROU M8 DIN985                      | 10,00    |            |            | --    |
| 0104   | LAFN85380 |           | MOYEU SW 1000E/S 22501005            | 2,00     |            |            | --    |
| 0105   | KTRI75744 |           | ROUES ARRIERES TK1000                | 2,00     |            |            | --    |
| 0106   | CUVR00008 |           | ROULEMENT 6003 2RS                   | 2,00     |            | 24/07/2016 | --    |
| 0106   | CUVR00104 |           | ROULEMENT SKF 6003- 2RSH             | 2,00     | 25/07/2016 |            | --    |
| 0107   | LAFN85290 |           | MOYEU SW 1000 22501004               | 2,00     |            |            | --    |
| 0108   | VTVT00066 |           | VIS TCCE UNI 5931 8X25 ZB            | 10,00    |            |            | --    |
| 0109   | VTVT01110 |           | VIS TE 8X16 UNI5739                  | 2,00     |            |            | --    |
| 0110   | VTRS00512 |           | RONDELLE D. 8 X24 ZC.                | 2,00     |            |            | --    |
| 0111   | PMTR00021 |           | ARBRE STERZO 1000 T.NUOVO COMPL      | 1,00     |            |            | --    |
| 0112   | LAFN00275 |           | ENTRETOISE INTERNO RUOTA POST.TK1300 | 2,00     |            |            | --    |
| 0113   | VTRS01080 |           | RONDELLE D. 8 GRW                    | 2,00     |            |            | --    |



| Ref. K | Part N.   | Part N. 2 | Description                           | Quantity | Validity |    | Price |
|--------|-----------|-----------|---------------------------------------|----------|----------|----|-------|
|        |           |           |                                       |          | From     | To |       |
| 0001   | VTVT45395 |           | VIS TBCE ISO 7380 8X10 ZB             | 1,00     |          |    | --    |
| 0002   | VTRS00504 |           | RONDELLE D. 8 ZC. UNI 6592            | 1,00     |          |    | --    |
| 0003   | LAFN00710 |           | SUPPORT TRASMISSIONE ACCELERATORE     | 1,00     |          |    | --    |
| 0004   | CUVR86373 |           | ROULEMENT 6000 2RS                    | 1,00     |          |    | --    |
| 0005   | VTAE13513 |           | BAGUE D'ARRET D. 26 UNI 7437          | 1,00     |          |    | --    |
| 0006   | VTVT00481 |           | VIS SANS TÊTE UNI 5927 8X10 CON PUNTA | 1,00     |          |    | --    |
| 0007   | LAFN00711 |           | BRAS SELEZIONE DIREZ.1000S ZN         | 1,00     |          |    | --    |
| 0008   | ALTR00020 |           | ARBRE CON BLOCCHET.X SELE.DIREZ       | 1,00     |          |    | --    |
| 0009   | VTAE13513 |           | BAGUE D'ARRET D. 26 UNI 7437          | 1,00     |          |    | --    |
| 0010   | CUVR86373 |           | ROULEMENT 6000 2RS                    | 1,00     |          |    | --    |
| 0011   | LAFN00710 |           | SUPPORT TRASMISSIONE ACCELERATORE     | 1,00     |          |    | --    |
| 0012   | VTRS00504 |           | RONDELLE D. 8 ZC. UNI 6592            | 1,00     |          |    | --    |
| 0013   | VTVT45395 |           | VIS TBCE ISO 7380 8X10 ZB             | 1,00     |          |    | --    |
| 0014   | VTVT00452 |           | VIS TE 8X 50 UNI 5739                 | 1,00     |          |    | --    |
| 0015   | VTDD00483 |           | ECROU M 8 ZIN UNI 5588                | 2,00     |          |    | --    |
| 0016   | LAFN08167 |           | PEDALE -                              | 1,00     |          |    | --    |
| 0017   | VTVT45395 |           | VIS TBCE ISO 7380 8X10 ZB             | 2,00     |          |    | --    |
| 0018   | MERL00012 |           | RELAYS INTERR. 12V                    | 1,00     |          |    | --    |
| 0019   | MERL00012 |           | RELAYS INTERR. 12V                    | 1,00     |          |    | --    |
| 0020   | MEVR33429 |           | KLAXON K100/Y 1A 12V                  | 1,00     |          |    | --    |
| 0021   | VTVT00659 |           | VIS TC+ M. 4-15                       | 8,00     |          |    | --    |
| 0022   | VTVT85116 |           | VIS AUTOF.TE FR 6,3X19 ZB             | 1,00     |          |    | --    |
| 0023   | LAFN47030 |           | DOUILLE L.14                          | 1,00     |          |    | --    |
| 0024   | VTVT75731 |           | VIS SANS TÊTE UNI 5923 6X5            | 1,00     |          |    | --    |
| 0025   | MPVR45096 |           | CAOUTCHOUC V 1201 GR.                 | 1,00     |          |    | --    |
| 0026   | LAFN47030 |           | DOUILLE L.14                          | 1,00     |          |    | --    |
| 0027   | LAFN00686 |           | PÉDALE FRENO TK1000 ZINCATO           | 1,00     |          |    | --    |
| 0028   | LAFN47019 |           | DOUILLE L.14                          | 1,00     |          |    | --    |
| 0029   | LAFN47036 |           | PIVOT BRK.+FLAP L.14                  | 1,00     |          |    | --    |
| 0030   | VTAE87276 |           | SEEGER EXT. D10 DIN471                | 1,00     |          |    | --    |
| 0031   | VTVT75731 |           | VIS SANS TÊTE UNI 5923 6X5            | 1,00     |          |    | --    |
| 0032   | LAFN47035 |           | PIVOT CH.10 H.26                      | 1,00     |          |    | --    |
| 0033   | MLML75960 |           | RESSORT D. 8 X1 X32                   | 1,00     |          |    | --    |
| 0034   | VTAE87276 |           | SEEGER EXT. D10 DIN471                | 1,00     |          |    | --    |
| 0035   | LAFN47031 |           | PIVOT L.14                            | 1,00     |          |    | --    |
| 0036   | LAFN47033 |           | DOUILLE L.14                          | 1,00     |          |    | --    |
| 0037   | LAFN47029 |           | PIVOT CH.10 H.16                      | 1,00     |          |    | --    |
| 0038   | VTVT75731 |           | VIS SANS TÊTE UNI 5923 6X5            | 1,00     |          |    | --    |
| 0039   | LAFN47032 |           | PÉDALE L.14                           | 1,00     |          |    | --    |
| 0040   | VTVT75731 |           | VIS SANS TÊTE UNI 5923 6X5            | 1,00     |          |    | --    |
| 0041   | LAFN47030 |           | DOUILLE L.14                          | 2,00     |          |    | --    |
| 0042   | LAFN00232 |           | CONTENEUR PORTABATT.TK1000S VERNIC.   | 1,00     |          |    | --    |
| 0043   | LAFN87142 |           | BRIDE BILANCIERE ZINCATA              | 1,00     |          |    | --    |
| 0044   | VTVT75725 |           | VIS TBCE ISO 7380 6X10 ZB             | 2,00     |          |    | --    |

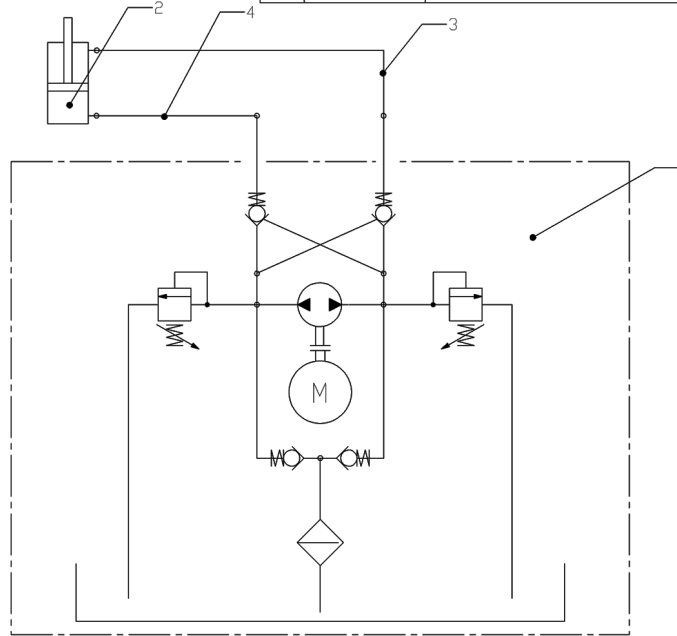


| Ref. K | Part N.   | Part N. 2 | Description                          | Quantity | Validity   |            | Price |
|--------|-----------|-----------|--------------------------------------|----------|------------|------------|-------|
|        |           |           |                                      |          | From       | To         |       |
| 0045   | VTVT00245 |           | VIS TE M6X30 UNI 5739                | 2,00     |            |            | --    |
| 0047   | LAFN08183 |           | BRIDE -                              | 1,00     |            |            | --    |
| 0048   | VTDD04368 |           | ECROU M 4 ZIN UNI 5588               | 2,00     |            |            | --    |
| 0049   | MEVR00030 |           | PORTE-FUSIBLES 4 VIE COPERCHIO TRAS. | 1,00     |            |            | --    |
| 0050   | MEVR01133 |           | FUSIBLE 15A 32V                      | 1,00     |            |            | --    |
| 0051   | MEVR01316 |           | FUSIBLE A LAMA 10 A. 32V             | 1,00     |            |            | --    |
| 0052   | MEVR01316 |           | FUSIBLE A LAMA 10 A. 32V             | 1,00     |            |            | --    |
| 0053   | VTVT00003 |           | VIS TE M 4X 12 ZC. UNI 5739          | 2,00     |            |            | --    |
| 0054   | ABGO00026 |           | AMORTISSEUR                          | 2,00     |            |            | --    |
| 0055   | VTDD10776 |           | ECROU M 8 X1 UNI 5588                | 4,00     |            |            | --    |
| 0056   | LAFN07862 |           | BRIDE -                              | 1,00     |            |            | --    |
| 0057   | MECI75801 |           | MICROINTERRUPT. TK                   | 1,00     |            |            | --    |
| 0058   | MECI87180 |           | INTERRUPTEUR A CHIAVE                | 1,00     |            |            | --    |
| 0059   | MEVR00036 |           | TEMPOIN VERDE NEUTRA                 | 1,00     |            |            | --    |
| 0060   | MESB00010 |           | MINUTEUR CURTIS                      | 1,00     |            |            | --    |
| 0061   | MEVR85330 |           | BOUTON -                             | 1,00     |            |            | --    |
| 0062   | MEVR85330 |           | BOUTON -                             | 1,00     |            |            | --    |
| 0064   | CMCV75739 |           | ACCELERATEUR TK S                    | 1,00     |            |            | --    |
| 0065   | ETET01799 |           | ETICHETTE -                          | 1,00     |            |            | --    |
| 0066   | LAFN08205 |           | FICHE -                              | 1,00     |            |            | --    |
| 0067   | MPVR00739 |           | CAOUTCHOUC PARAPOLVERE CILIND.STABIL | 1,00     |            |            | --    |
| 0068   | MECI00571 |           | BOUTON EMERGENCY BL.SB 1250          | 1,00     |            |            | --    |
| 0069   | MECE00476 |           | FICHE 20W                            | 1,00     |            |            | --    |
| 0070   | MECI00573 |           | SELECTEUR -                          | 1,00     |            |            | --    |
| 0071   | MECI00523 |           | BOUTON WHITE                         | 1,00     |            | 02/10/2018 | --    |
| 0071   | MECI00666 |           | BOUTON -                             | 1,00     | 03/10/2018 |            | --    |
| 0072   | MECI00520 |           | PANIER FIX TO FIX CONTACT            | 1,00     |            | 02/10/2018 | --    |
| 0072   | MECI00665 |           | SUPPORT -                            | 1,00     | 03/10/2018 |            | --    |
| 0073   | MECI00517 |           | CONTACT NO 3-4                       | 1,00     |            | 02/10/2018 | --    |
| 0073   | MECI00663 |           | CONTACT 1NA                          | 1,00     | 03/10/2018 |            | --    |
| 0074   | VTVT00003 |           | VIS TE M 4X 12 ZC. UNI 5739          | 2,00     |            |            | --    |
| 0075   | VTRS00501 |           | HONDELLE D. 4 0.232 UNI 6592         | 2,00     |            |            | --    |
| 0076   | VTDD04369 |           | ECROU M 4 TEF UNI 7473               | 2,00     |            |            | --    |
| 0077   | MECE00596 |           | FICHE 1280                           | 1,00     |            |            | --    |
| 0078   | MERL00012 |           | RELAYS INTERR. 12V                   | 1,00     |            |            | --    |
| 0079   | MERL00012 |           | RELAYS INTERR. 12V                   | 1,00     |            |            | --    |
| 0080   | LAFN09384 |           | SUPPORT -                            | 1,00     |            |            | --    |
| 0081   | VTVT62920 |           | VIS TE FR 6X16 ZB ZIGRINATE          | 2,00     |            |            | --    |
| 0082   | VTDD00491 |           | ECROU M 6 TEF                        | 2,00     |            |            | --    |
| 0083   | MEVR02013 |           | BUZZER -                             | 1,00     |            |            | --    |
| 0084   | MEVR02101 |           | LED -                                | 1,00     |            |            | --    |
| 0085   | MEVR01925 |           | FUSIBLE 150A                         | 1,00     |            |            | --    |
| 0086   | MEVR00146 |           | PORTE-FUSIBLES MEGA                  | 1,00     |            |            | --    |
| 0087   | VTVT75726 |           | VIS TBCE ISO 7380 6X16 ZB            | 2,00     |            |            | --    |

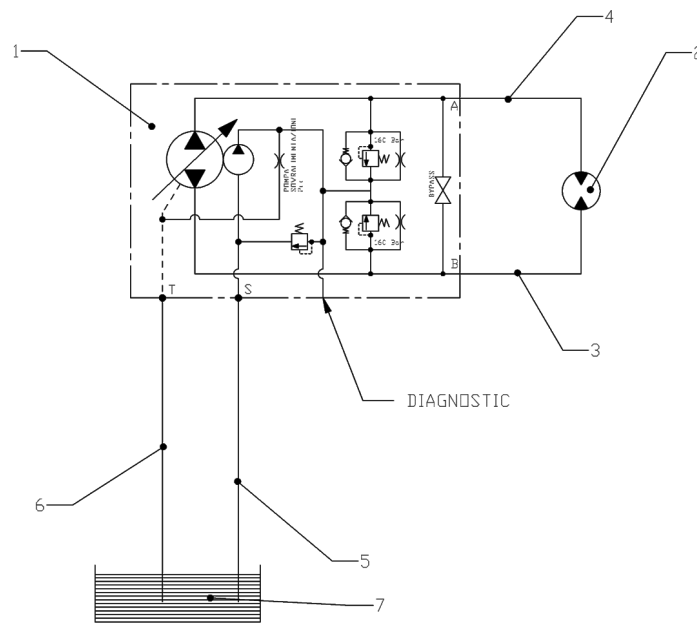


| Ref. K | Part N.   | Part N. 2 | Description                   | Quantity | Validity   |    | Price |
|--------|-----------|-----------|-------------------------------|----------|------------|----|-------|
|        |           |           |                               |          | From       | To |       |
| 0088   | VTRS00503 |           | RONDELLE D. 6 UNI 6798        | 2,00     |            |    | --    |
| 0089   | VTDD00491 |           | ECROU M 6 TEF                 | 2,00     |            |    | --    |
| 0090   | MEVR00056 |           | CLE' QUADRO AVV.COBO TK1000S  | 1,00     |            |    | --    |
| 0091   | BAAC75749 |           | BATTERIE 12V 45A X SW1000SC   | 1,00     |            |    | --    |
| 0092   | VTVT00448 |           | VIS TE 8X30 UNI5739           | 1,00     |            |    | --    |
| 0093   | METK00017 |           |                               | 1,00     | 03/03/2020 |    | --    |
| 0094   | GUGO00675 |           | JOINT -                       | 1,00     | 03/03/2020 |    | --    |
| 0095   | VTVT00040 |           | VIS AUTOF.TC UNI6954 3,5X10SP | 2,00     | 03/03/2020 |    | --    |

| Pos | Codice    | DENOMINAZIONE                 |
|-----|-----------|-------------------------------|
| 1   | PPEL45108 | ELETTROPOMPA IDR. 24V L.14    |
| 1   | PPEL00026 | ELETTROPOMPA 14L 12V 350W Ø80 |
| 2   | PIID45105 | PISTONE IDRAULICO D.50 ST25   |
| 3   | TBAP45106 | TUBO 3/16 RACC L.14           |
| 4   | TBAP45107 | TUBO 3/16 RACC L.14           |



| Ref. K | Part N.   | Part N. 2 | Description                     | Quantity | Validity |    | Price |
|--------|-----------|-----------|---------------------------------|----------|----------|----|-------|
|        |           |           |                                 |          | From     | To |       |
| 0002   | PIID00001 |           | PISTONE SOLLEV.CASS.POST.TK1300 | 1,00     |          |    | --    |

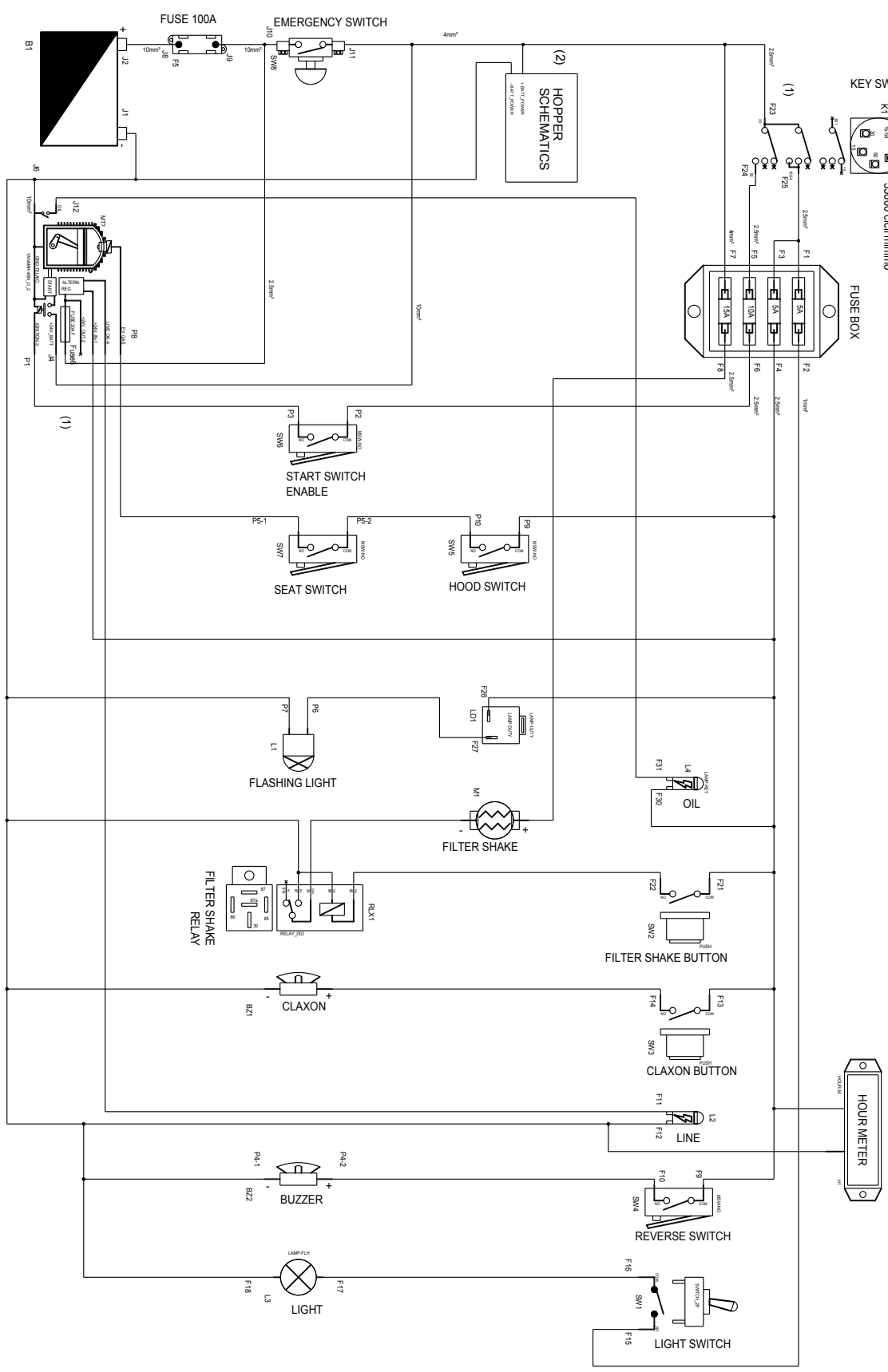
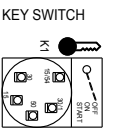


|   |           |                           |                         |
|---|-----------|---------------------------|-------------------------|
| 1 | PPBP00048 | POMPA TRAZIONE            | TRACTION PUMP           |
| 2 | PPBP00001 | MOTORE TRAZIONE           | TRACTION MOTOR          |
| 3 | TBFX85522 | TUBO FLEX 5/16 L.1510     | HOSE FLEX 5/16 L.1510   |
| 4 | TBFX85523 | TUBO FLEX 5/16 L.1410     | HOSE FLEX 5/16 L.1410   |
| 5 | TBBP00436 | TUBO ASPIRAZIONE L=490    | INLET HOSE L=490        |
| 6 | TBBP87182 | TUBO B.P.670 MM           | LOW PRESSURE HOSE 670MM |
| 7 | MPVR00015 | SERBATOIO OLIO CON FILTRO | OIL TANK WITH FILTER    |

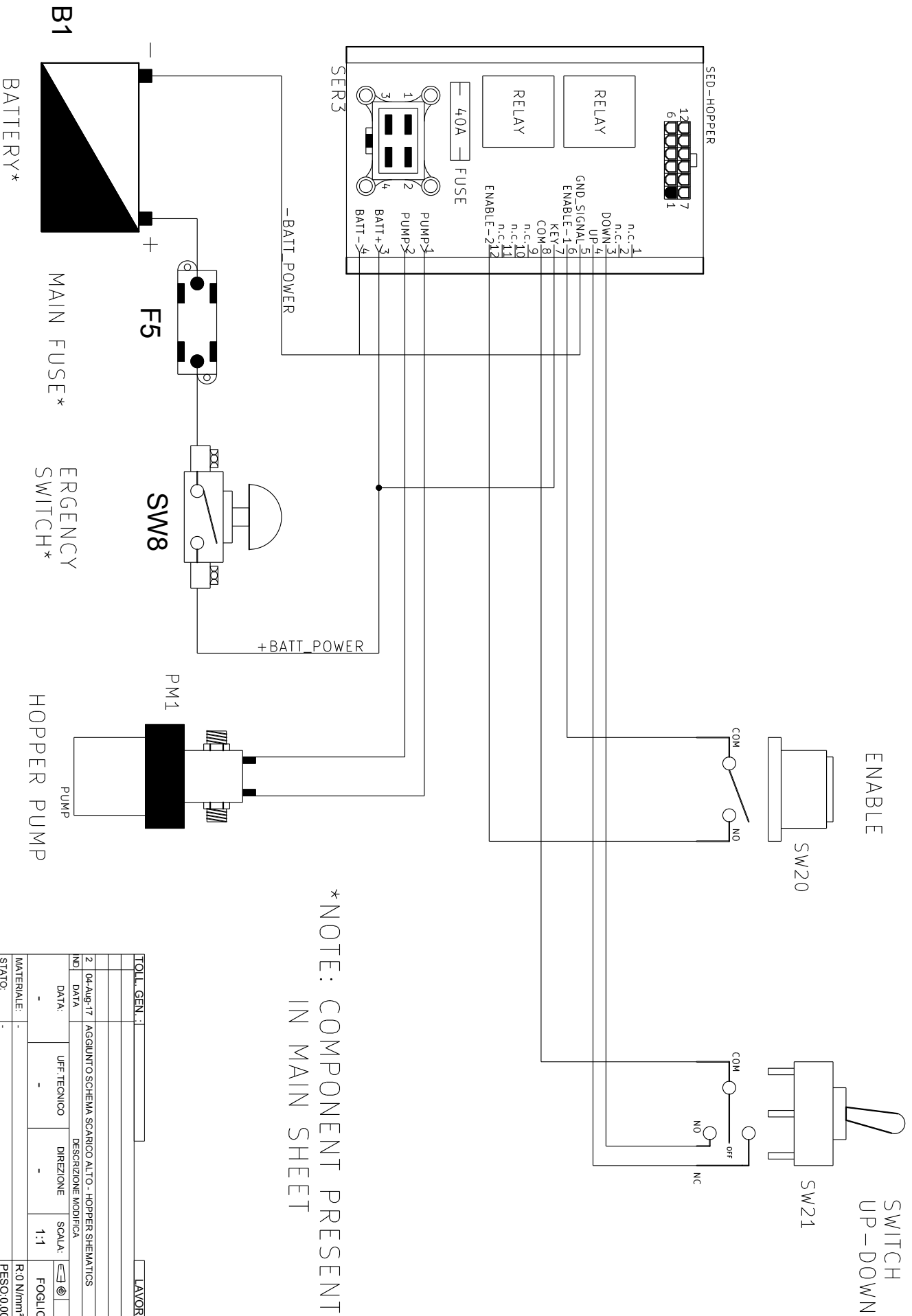
| Ref. K | Part N.   | Part N. 2 | Description                         | Quantity | Validity |    | Price |
|--------|-----------|-----------|-------------------------------------|----------|----------|----|-------|
|        |           |           |                                     |          | From     | To |       |
| 0001   | PPBP00048 |           | POMPE 10 CC                         | 1,00     |          |    | --    |
| 0002   | PPBP00001 |           | MOTEUR IDRAULICO MGLR 100A 25NIT    | 1,00     |          |    | --    |
| 0003   | TBFX85522 |           | TUYAU 5/16 L.1530 25001001          | 1,00     |          |    | --    |
| 0004   | TBFX85523 |           | TUYAU 5/16 COMPL.L.1410 MARCIA      | 1,00     |          |    | --    |
| 0005   | TBBP00436 |           | TUYAU L=490                         | 1,00     |          |    | --    |
| 0006   | TBBP87182 |           | TUYAU BASSA PRESSIONE L.670         | 1,00     |          |    | --    |
| 0007   | MPVR00015 |           | RESERVOIR X OLIO CON FILTRO TK1000S | 1,00     |          |    | --    |



MEC87180  
 AWA ART. Q13001  
 30-50 50A 60 Sec.  
 55000 cicli minimo



|                         |              |  |                |
|-------------------------|--------------|--|----------------|
| TOLL. GEN.:             |              | LAVORAZIONE GENERALE                             |                |
| 2                       | 04-Aug-17    | AGGIUNTO SCHEMA SCARICO ALTO - HOPPER SCHEMATICS |                |
| INDI                    | DATA         | DESCRIZIONE MODIFICA                             | FIRMA          |
| DATA:                   | UFF. TECNICO | DIREZIONE  | SCALA: 1:1     |
| MATERIALE:              | -            | -  | FOGLIO: 1/2    |
| STATO:                  | -            | -  | PESO: 0,000 Kg |
| TRATTAMI:               | -            | -  | DUREZZA: -     |
| SCHEMA ELETTRICO 1280 D |              | DENOMINAZIONE:                                   |                |
| PLDC02144_2             |              | COD COMM:  |                |
|                         |              | COD COMM:  |                |



\* NOTE: COMPONENT PRESENT  
IN MAIN SHEET

|                         |              |   |                       |
|-------------------------|--------------|---|-----------------------|
| TOLL. GEN.:             |              | LAVORAZIONE GENERALE                            |                       |
| 2                       | 04-Aug-17    | AGGIUNTO SCHEMA SCARICO ALTO - HOPPER SHEMATICS |                       |
| INDI                    | DATA         | DESCRIZIONE MODIFICA                            | FIRMA                 |
| DATA:                   | UFF. TECNICO | DIREZIONE                                       | SCALA: 1:1            |
| MATERIALE:              | -            | -   | FOGLIO: 2/2           |
| STATO:                  | -            | -   | R.0 N/mm <sup>2</sup> |
| TRATTAMI:               | -            | -   | PESO 0,000 Kg         |
| SCHEMA ELETTRICO 1280 D |              | DUREZZA:  | DISEG. F. Allegri     |
| DENOMINAZIONE:          |              | CODICE:   | DATA: 04-Aug-17       |
| PLDC02144_2             |              | COD COMM:                                       | -                     |