

BA 550/650 (after 2002-05)

Model:

BA 550 (56397582)

BA 650 (56397583)



Part List US-English

08-06-2011

Table of Contents

BA 550/650 (after 2002-05)

CHASSIS SYSTEM	3
DECAL SYSTEM	7
ELCTRICAL SYSTEM	9
HANDLE SYSTEM	12
RECOVERY SYSTEM	14
SCRUB DECK SYSTEM-20" (before SN1759839)	16
SCRUB DECK SYSTEM-20" (after SN1759838)	19
SCRUB DECK SYSTEM-26"	22
SKIRT ASSEMBLIES-26"	25
SOLUTION SYSTEM	27
SQUEEGEE SYSTEM-20"	30
SQUEEGEE SYSTEM-26"	32
WIRING DIAGRAM	34
BRUSH SELECTOR GUIDE	36
56302198 - Hour Meter Kit	38
56397558 - Squeegee Cable Kit	40
56397558 - Squeegee Cable Kit	42
56397386 - Squeegee Pivot Kit	44

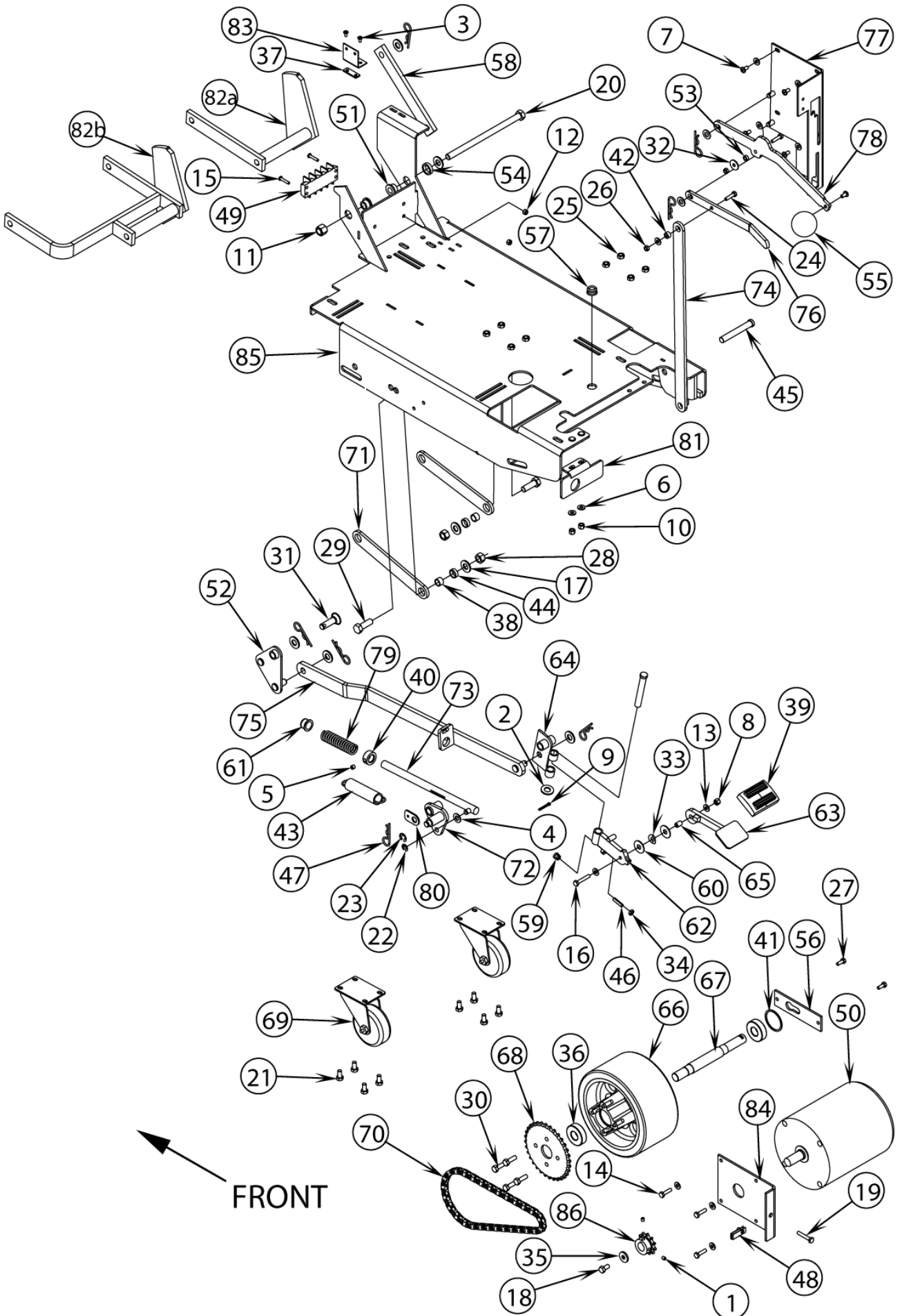
CHASSIS SYSTEM

BA 550/650 (after 2002-05)

08-06-2011

Part List ID
E12613

3



CHASSIS SYSTEM

BA 550/650 (after 2002-05)

08-06-2011

Part List ID

E12613

4

Pos	Part no.	Qty	Description	EAN
1	56001841	2	SCR SOC SET LOC 1/4 20 X .25	5711144000
2	56001879	6	WSH FLT SAE 1/2	5711144000
3	56002043	2	SCR PAN PHIL 10 24 X .38	5711144000
4	56002063	3	WSH FLT SAE 3/8	5711144000
5	56002086	1	SCR SOC SET LOC 5/16 18 X .25	5711144000
6	56002098	7	WSH FLT SAE 1/4	5711144000
7	56002145	5	SCR PAN PHIL 1/4 20 X .50	5711144001
8	56002491	1	NUT HEX NYL LOC SS 1/4 20	5711144001
9	56002529	1	PIN COT .12 X 1.00	5711144001
10	56002708	2	NUT HEX NYL LOC 1/4 20	5711144002
11	56002770	1	NUT HEX NYL LOC 1/2 13	5711144002
12	56002836	2	NUT HEX NYL LOC SS 10 24	5711144002
13	56002859	5	WSH FLT SAE SS 1/4	5711144002
14	56002883	3	SCR HEX SS 1/4 20 X 1.00	5711144002
15	56002898	2	SCR PAN PHIL SS 10 24 X 1.00	5711144003
16	56002901	1	SCR HEX SS 1/4 20 X 1.50	5711144003
17	56002918	2	WSH FLT SAE SS 1/2	5711144003
18	56002929	1	SCR HEX LOC 5/16 18 X .62	5711144003
19	56003125	1	SCR HEX THD/HD SS 1/4 20X1.50	5711144004
20	56003159	1	SCR HEX 1/2 13 x 8.50	5711144004
21	56003178	8	SCR HEX THD TO HD M8 1.25X16MM	5711144004
22	56003262	1	RING RET EXT TYPE E	5711144004
23	56003264	1	RING RET EXT TYPE E	5711144004
24	56003358	2	SCR HEX M6 X 25.0	5711144005
25	56003389	8	NUT HEX NYL LOC M8X1.25	5711144005
26	56003403	2	NUT HEX NYL LOC M6 X 1.00	5711144005
27	56003431	2	SCR HEX SS M6 1.00X16MM	5711144005
28	56003450	2	SCR HX NYLOC SS M12 X 1.75	5711144005
29	56003453	2	SCR HEX SS M12 1.75 X 35MM	5711144005
30	56003477	4	SCR HX NYLOC SS M8 1.25 X 25MM	5711144005
31	56003520	1	PIN HITCH COTTERLESS.500X1.50	5711144006
32	56009002	1	WASHER FLAT .266X.906X.060	5711144007
33	56009024	1	WSH BOWED .375X.844X.060	5711144007
34	56009087	1	NUT HEX JAM 1/4 20	5711144008
35	56009122	1	WSH FLT .344X.938X.125	5711144008
36	56154091	2	BEARING BALL PC51	5711144028
37	56324310	1	NUT PLATE	5711144064
38	56360627	2	BUSHING .50X.62X.41CT32G	5711144066
39	56365002	1	PAD RUBBER	5711144066
40	56367354	1	COLLAR SHAFT .625 CV34B	5711144067
41	56444731	1	RING RET INT 1.850 CV490J	5711144107

NOTE 1: BA 550 before SN1645714 / BA 650 before SN1645725

NOTE 2: BA 550 after SN1645713 / BA 650 after SN1645724

CHASSIS SYSTEM

BA 550/650 (after 2002-05)

08-06-2011

Part List ID

E12613

5

Pos	Part no.	Qty	Description	EAN
42	56453691	1	SPACER	5711144109
43	56456847	1	SPRING EXTENSION	5711144113
44	56478781	2	BEARING SLEEVE .627RE450CE0202	5711144124
45	56003519	2	PIN CLEVIS .500 X 3.50	5711144006
46	56003522	1	SCR SOC SET LOC 1/4 20 X 1.00	5711144006
47	56003222	7	PIN COT HAIR .125 X DIA.50/.75	5711144004
48	56009289	1	NUT U MULTI THREAD 1/4 20	5711144009
49	56026111	1	TERMINAL BLOCK 50 AMP	5711144013
50	56026191	1	MOTOR DC 24V	5711144013
50	56396311	1	MOTOR 24V DC 1/2HP	5711144078
50	56397135	1	BEARING F.E.	5711144079
50	56397137	1	BRUSH BOARD SPRINGS/BRUSHES	5711144079
50	56397138	4	BRUSH SPRING	5711144079
50	56397139	4	CARBON BRUSH SET OF 4	5711144079
51	56027131	2	BEARING FLANGE	5711144013
52	56035589	1	WELDMENT LINKAGE TRIANGULAR	
53	56054335	1	SPACER STEEL	5711144016
54	56054581	1	SPACER STEEL	5711144016
55	56057391	1	HANDLE BALL ALUM 2.125 DIA	5711144017
56	56057763	1	BAR STEEL	5711144018
57	56057764	1	BUSHING GUIDE	5711144018
58	56057771	1	BAR STEEL	
59	56057842	1	PLUG BUTTON	5711144018
60	56151068	2	WSH FLT FIBRE ..406G31E	5711144028
61	56393792	1	BEARING FLANGE	5711144076
62	56396239	1	WELDMENT PEDAL LEVER	5711144078
63	56396240	1	WELDMENT PEDAL LEVER	5711144078
64	56396244	1	WELDMENT FOOT PEDAL PIVOT	5711144078
65	56396249	1	BUSHING .25X.375X.532	5711144078
66	56397001	1	WHEEL	5711144078
67	56397003	1	AXLE	5711144078
68	56397005	1	SPROCKET	5711144078
69	56396253	2	WHEEL CASTER OPTION	5711144078
69	56397016	2	WHEEL CASTER	5711144079
70	56397017	1	40 CHAIN 56 PITCHES	5711144079
71	56397049	2	ARM	5711144079
72	56397054	1	PIVOT FOOT WELDMENT	5711144079
73	56397057	1	ROD WELDMENT	5711144079
74	56397060	1	LINKAGE BRUSH LIFT	
75	56397062	1	BAR WELDMENT	5711144079
76	56397063	1	BAR	

NOTE 1: BA 550 before SN1645714 / BA 650 before SN1645725

NOTE 2: BA 550 after SN1645713 / BA 650 after SN1645724

CHASSIS SYSTEM

BA 550/650 (after 2002-05)

08-06-2011

Part List ID
E12613

6

Pos	Part no.	Qty	Description	EAN
77	56397064	1	WELDMENT PANEL	5711144079
78	56397086	1	ARM	5711144079
79	56397131	1	COMPRESSION SPRING	5711144079
80	56397132	1	PLATE	5711144079
			26" models only	
81	56397136	1	BRACKET REAR COVER	
83	56397199	1	BRACKET SWITCH	5711144080
84	56397567	1	BRACKET TENSION	
85	56397569	1	WELDMENT FRAME	
86	56741122	1	SPROCKET CHAIN	5711144144
82A	56397146	1	WELDMENT BRUSH LIFT 20	5711144079
			26" models only	
82B	56397197	1	WELDMENT BRUSH LIFT 26	
			26" models only	

NOTE 1: BA 550 before SN1645714 / BA 650 before SN1645725

NOTE 2: BA 550 after SN1645713 / BA 650 after SN1645724

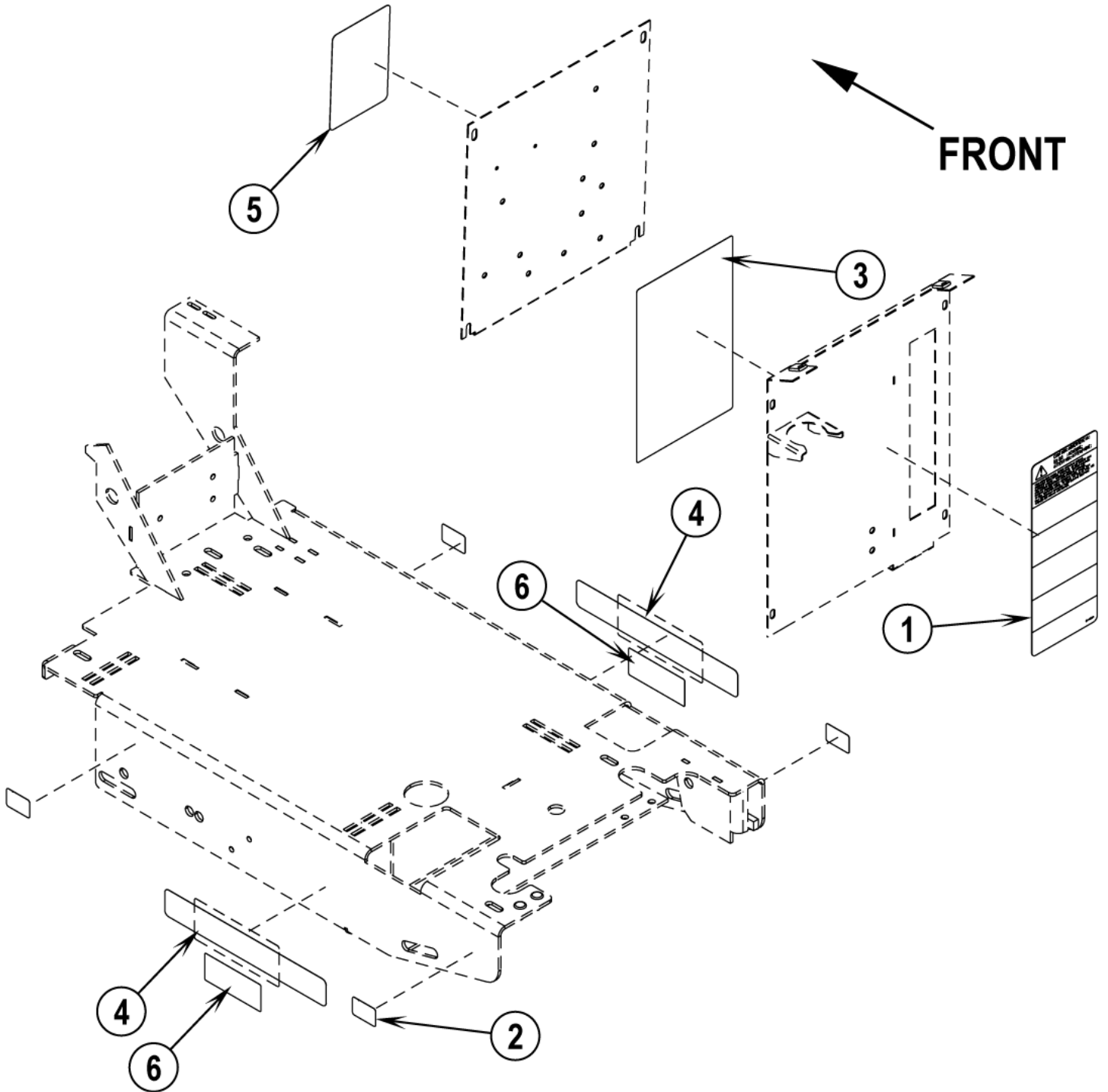
DECAL SYSTEM

BA 550/650 (after 2002-05)

08-06-2011

Part List ID
E12615

7



DECAL SYSTEM

BA 550/650 (after 2002-05)

08-06-2011

Part List ID

E12615

8

Pos	Part no.	Qty	Description	EAN
1	56014601	1	DECAL CAUTION	5711144009
2	56015370	4	DECAL TIE DOWN	5711144010
3	56016321	1	DECAL ELECTRICAL SCHEMATIC	
4	56016648	2	DECAL CONVERTAMAX 20	
4	56016649	2	DECAL CONVERTAMAX 26	Before serial no. 1735164
4	56016651	2	DECAL BA650	
5	56016653	1	DECAL BATTERY WIRING	

ELECTRICAL SYSTEM

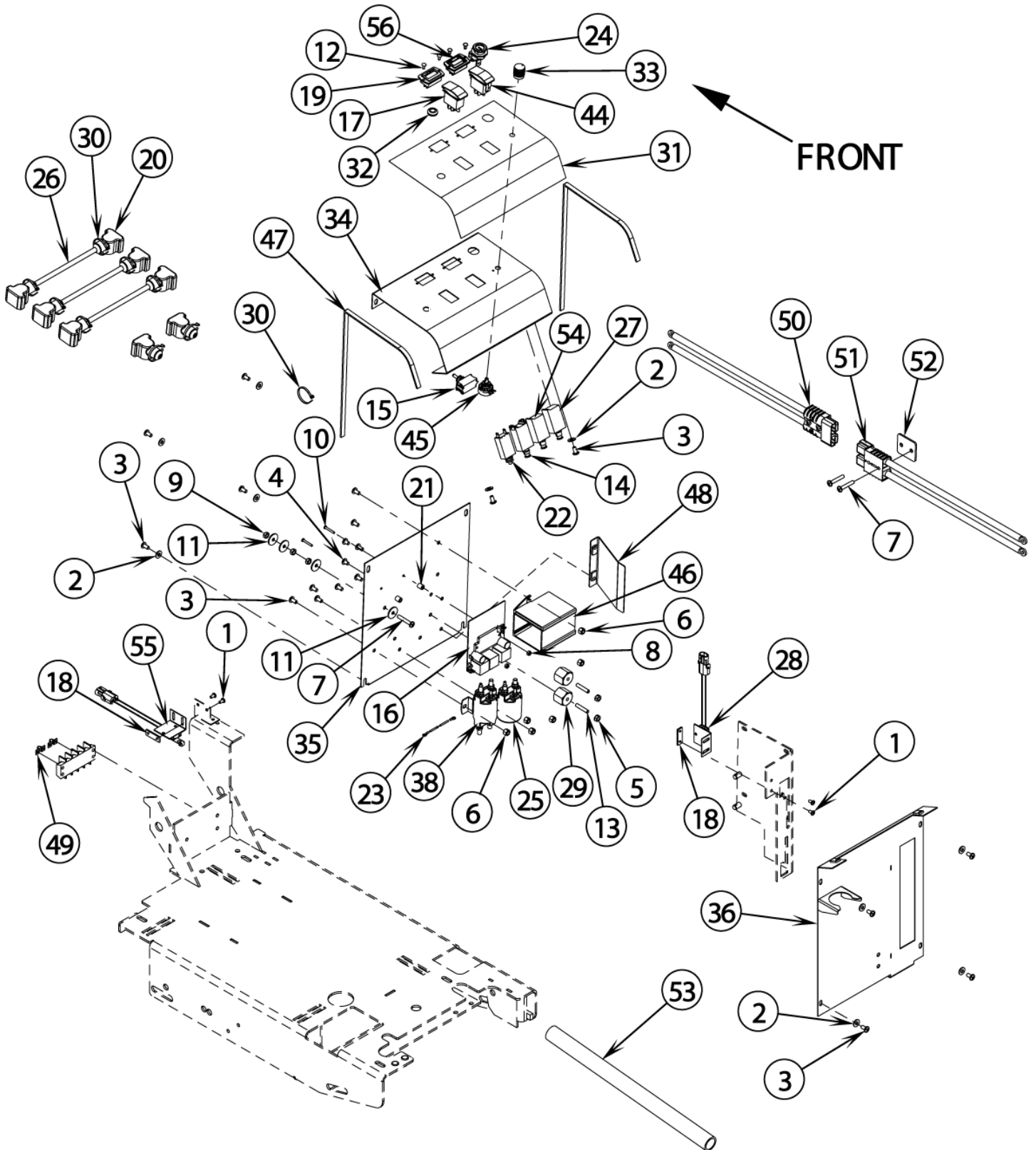
BA 550/650 (after 2002-05)

08-06-2011

Part List ID

E12617

9



ELCTRICAL SYSTEM

BA 550/650 (after 2002-05)

08-06-2011

Part List ID
E12617

10

Pos	Part no.	Qty	Description		EAN
0	56057920	1	SPACER ANGLE POLY	For use with two 12V Batteries - Not shown	
0	56206079	4	BATTERY 6V 242AH WET	Not included, optional	
0	56372947	1	CHARGER 24V AUTO 20A	Not included, optional	
0	56397453	1	INDICATOR BATTERY LEVEL	Not included, optional	5711144080
0	56398090	8	TERMINAL CLAMP BTY CT414	Not shown	5711144081
1	56002043	4	SCR PAN PHIL 10 24 X .38		5711144000
2	56002098	10	WSH FLT SAE 1/4		5711144000
3	56002145	18	SCR PAN PHIL 1/4 20 X .50		5711144001
4	56002462	2	SCR PAN PHIL 1/4 20 X .38		5711144001
5	56002708	2	NUT HEX NYL LOC 1/4 20		5711144002
6	56002708	6	NUT HEX NYL LOC 1/4 20		5711144002
7	56002786	3	SCR PAN PHIL 1/4 20 X 1.50		5711144002
8	56002830	2	NUT HEX NYL LOC 6 32		5711144002
9	56002840	3	NUT HEX NYL LOC THIN 1/4 20		5711144002
10	56002858	2	SCR PAN PHIL 6 32 X 1.00	Machine outphased 2004	5711144002
11	56009060	4	WSH FLT SS .260X1.000X.074		5711144007
12	56009192	4	RIVET PUSH NYLON BLACK		5711144008
13	56009203	2	STUD 1/4 20X1.31		5711144008
14	56263260	1	CIRCUIT BREAKER 60A	26" models Brush Motor / F2	5711144036
14	56452193	1	CIRCUIT BREAKER 40A	20" models Brush Motor / F2	5711144108
15	56301636	1	SWITCH TOGGLE	Main power / S1	5711144040
16	56324023	1	SPEED CONTROLLER	A1	5711144063
17	56324272	1	SWITCH FOR AG 16	Solution / S2	5711144063
18	56324310	2	NUT PLATE		5711144064
19	56372089	1	FUEL GAUGE BATTERY	P1	5711144067
20	56372673	8	BOOT BATTERY POST		5711144067
21	56377721	2	SPACER		5711144068
22	56387316	1	CIRCUIT BREAKER 10A	Auxiliary / F1	5711144071
23	56389265	1	RECTIFIER ASSY.	D1	5711144072
24	56393325	1	BRACKET KEYLOCK		5711144075
24	56393415	1	KEY REPLACEMENT	Not shown	5711144075
25	56412179	1	CONTACTOR 24 VDC	Vacuum Motor / K2	5711144091
26	56416445	3	CABLE ASSY 4 AWG	Battery Interconnect	5711144098
27	56454423	1	CIRCUIT BREAKER 30A	Vacuum Motor / F4	5711144110
28	56462362	1	SWITCH ASSY.	Vacuum Switch / S4	5711144119
29	56469858	2	INSULATED STANDOFF		5711144122
30	56478246	14	CABLE TIE E00549 RE438BA		5711144124
31	56016652	1	DECAL INSTRUMENT PANEL		
31	56016663	1	DECAL INSTRUMENT PANEL		5711144012
32	56056190	1	GROMMET E00059		5711144017
33	56056596	1	KNOB PLASTIC BLACK		5711144017

NOTE 1: BA 550 before SN1645714 / BA 650 before SN1645725

NOTE 2: BA 550 after SN1645713 / BA 650 after SN1645724

ELCTRICAL SYSTEM

BA 550/650 (after 2002-05)

08-06-2011

Part List ID
E12617

11

Pos	Part no.	Qty	Description		EAN
34	56397025	1	PANEL INSTRUMENT		5711144079
35	56397027	1	PANEL FRONT		
36	56397038	1	PANEL BACK WELDMENT		
37	56397087	1	HARNESS	Not shown - TSBUS2003-838 / NOTE 1	5711144079
37	56397288	1	HARNESS WIRING	Not shown - TSBUS2003-838 / NOTE 2	
38	56397088	1	CONTACTOR 24V SPDT	Brush motor / K1	5711144079
39	56397114	1	CABLE ASSY 6AWG	Black, 65" Wire no. 8 - Not shown	5711144079
40	56397115	1	CABLE ASSY 6AWG	Red, 69" Wire no. 16 - Not shown	5711144079
41	56397116	1	CABLE ASSY 6AWG	Red, 7" Wire no. 12 - Not shown	
42	56397117	1	CABLE ASSY 6AWG	Red, 16" Wire no. 14 - Not shown	
43	56397118	1	CABLE ASSY 6AWG	Red, 14" Wire no. 10 - Not shown	
44	56397122	1	SWITCH ROCKER SPST	Brush remove / S3	5711144079
45	56397123	1	POTENTIOMETER 25K	Speed limit / R1	5711144079
46	56397124	1	TIMER MODULE ASSEMBLY	A2	5711144079
47	56397149	2	GASKET		5711144079
48	56397164	1	GUARD		
49	56397184	2	PLATE JUMPER	26" models only	5711144079
50	56100621	1	CONNECTOR HSG. 24V	Not shown	5711144018
50	56100685	2	CONTACT 4 AWG	Not shown	5711144018
50	56397187	1	CONNECTOR ASSEMBLY	Connected to batteries	5711144080
51	56100621	1	CONNECTOR HSG. 24V	Not shown	5711144018
51	56100685	2	CONTACT 4 AWG	Not shown	5711144018
51	56397188	1	CHARGER PLUG ASSY.	Connected to machine	5711144080
52	56397189	1	SPACER		5711144080
53	56397190	1	CONDUIT		5711144080
54	56454423	1	CIRCUIT BREAKER 30A	Wheel Drive / F3	5711144110
55	56462362	1	SWITCH ASSY.	Brush Switch / S6	5711144119
56	56393718	1	HOURMETER		5711144076

NOTE 1: BA 550 before SN1645714 / BA 650 before SN1645725

NOTE 2: BA 550 after SN1645713 / BA 650 after SN1645724

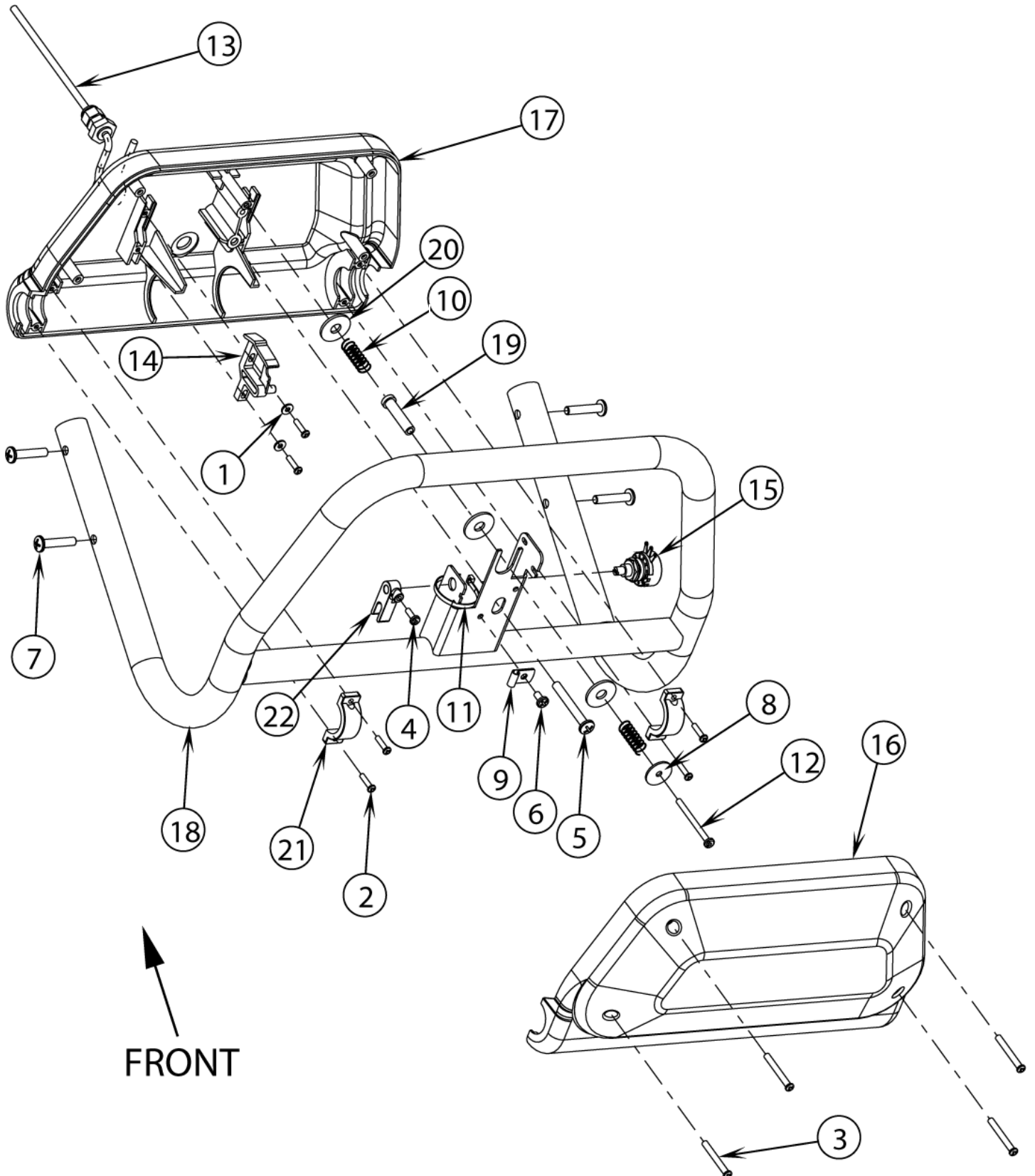
HANDLE SYSTEM

BA 550/650 (after 2002-05)

08-06-2011

Part List ID
E12619

12



HANDLE SYSTEM

BA 550/650 (after 2002-05)

08-06-2011

Part List ID

E12619

13

Pos	Part no.	Qty	Description	EAN
1	56002006	2	WSH FLT SAE 6	5711144000
2	56003197	6	SCR PAN PHIL PLASTITE 6 18X.62	5711144004
3	56003199	4	SCR PAN PHIL PLASTITE 8 15X1.5	5711144004
4	56003354	1	SCR PAN PHIL M4 0.7 X 12 MM	5711144005
5	56003527	1	SCR PAN PHIL PLAS 1/4 10X2.0	5711144006
6	56009030	1	SCR PAN PHIL THD FOM 10 24X.38	5711144007
7	56009090	4	SCR PAN PHIL LOC 1/4 20X1.25	5711144008
8	56009096	1	WSH FLT .193X.875X.060	5711144008
9	56220507	1	CLAMP CABLE .187 E00129	5711144033
10	L08812343	2	SPRING.DRIVE CONTROL	5711144018
11	56478246	1	CABLE TIE E00549 RE438BA	5711144124
12	56009287	1	SCR PAN PHIL TYPE B 8 x 2.00	5711144009
13	56396233	1	HARNESS ASSEMBLY	TSBUS2003-838 - NOTE 1 5711144078
13	56396299	1	HARNESS HANDLE	TSBUS2003-838 - NOTE 2 5711144078
14	56397015	1	CAM CONTROLLER	5711144079
15	56397029	1	POTENTIOMETER 5K	R2 5711144079
16	56397030	1	PADDLE FRONT MOLDED	5711144079
17	56397031	1	PADDLE BACK MOLDED	5711144079
18	56397034	1	WELDMENT HANDLE	5711144079
19	56397109	1	SLEEVE	5711144079
20	56397170	3	WSH PLASTIC	5711144079
21	56397171	2	CLAMP	5711144079
22	56397172	1	POTENTIOMETER FORK	5711144079

NOTE 1: BA 550 before SN1645714 / BA 650 before SN1645725

NOTE 2: BA 550 after SN1645713 / BA 650 after SN1645724

RECOVERY SYSTEM

BA 550/650 (after 2002-05)

08-06-2011

Part List ID

E126111

15

Pos	Part no.	Qty	Description	EAN
0	56397098	1	CARBON BRUSH SET	5711144079
1	56002043	3	SCR PAN PHIL 10 24 X .38	5711144000
2	56002859	6	WSH FLT SAE SS 1/4	5711144002
3	56002900	1	SCR PAN PHIL SS 10 24 X .50	5711144003
4	56002905	4	SCR PAN PHIL SS 1/4 20 X 1.50	5711144003
5	56003067	2	SCR. PAN PHIL. SS 1/4 20 1.00	5711144003
6	56003119	4	SCR PAN PHIL SS 1/4 20 X .50	5711144004
7	56003293	2	RIVET POP A/S .125 X .38/.50	5711144005
8	56009098	2	WSH FLT SS .125X.500X.036	5711144008
9	56009205	1	WSH FLT SS .219X.500X.047/.062	5711144008
10	56009267	4	WSH FLT .202 X .562 X .040	5711144009
11	56302165	1	GASKET	5711144040
12	56324497	2	FLOAT CAGE	5711144064
13	56329145	1	CLAMP HOSE SAE 24 E00047	5711144065
14	56391690	1	BALL FLOAT	5711144073
15	56391807	1	FOAM ACCOUSTICAL	5711144073
16	56392170	1	VAC HOSE 1.50 ASSY W/1.5CUFF	5711144074
17	56440213	1	CLAMP HOSE SAE 32E00047	5711144107
18	56477613	1	CABLE TIE E00549 RE409S	5711144123
19	56478523	1	CABLE TIE E00549	5711144124
20	56486112	1	CLAMP P	5711144125
21	56003624	1	SCR SOC SHD .250 X .50 10 24	5711144006
22	56049999	1	CLAMP HOSE	5711144016
23	56057508	1	BAR STEEL 12 GA.	5711144018
24	56057860	1	PANEL STEEL	5711144018
25	56302142	1	FLOAT DUCT	5711144040
26	56397150	1	TANK RECOVERY	
27	56397040	1	HOSE VAC EXHAUST	5711144079
28	56397041	1	MOTOR VAC 24VDC	5711144079
29	56397045	1	LID	5711144079
30	56397046	1	VAC MOTOR DUCT	
31	56397095	1	CLAMP HOSE	5711144079
32	56397096	2	SPACER BOLT	5711144079
33	56397142	1	DRAINHOSE	5711144079
34	56397151	1	GASKET	5711144079
35	56397167	1	STRAP RETAINING	5711144079
36	56397225	1	SPACER PHENOLIC	5711144080
37	56397303	1	SPACER VAC MOTOR	5711144080
38	56397307	1	GASKET VAC	5711144080

SCRUB DECK SYSTEM-20" (before SN175983)

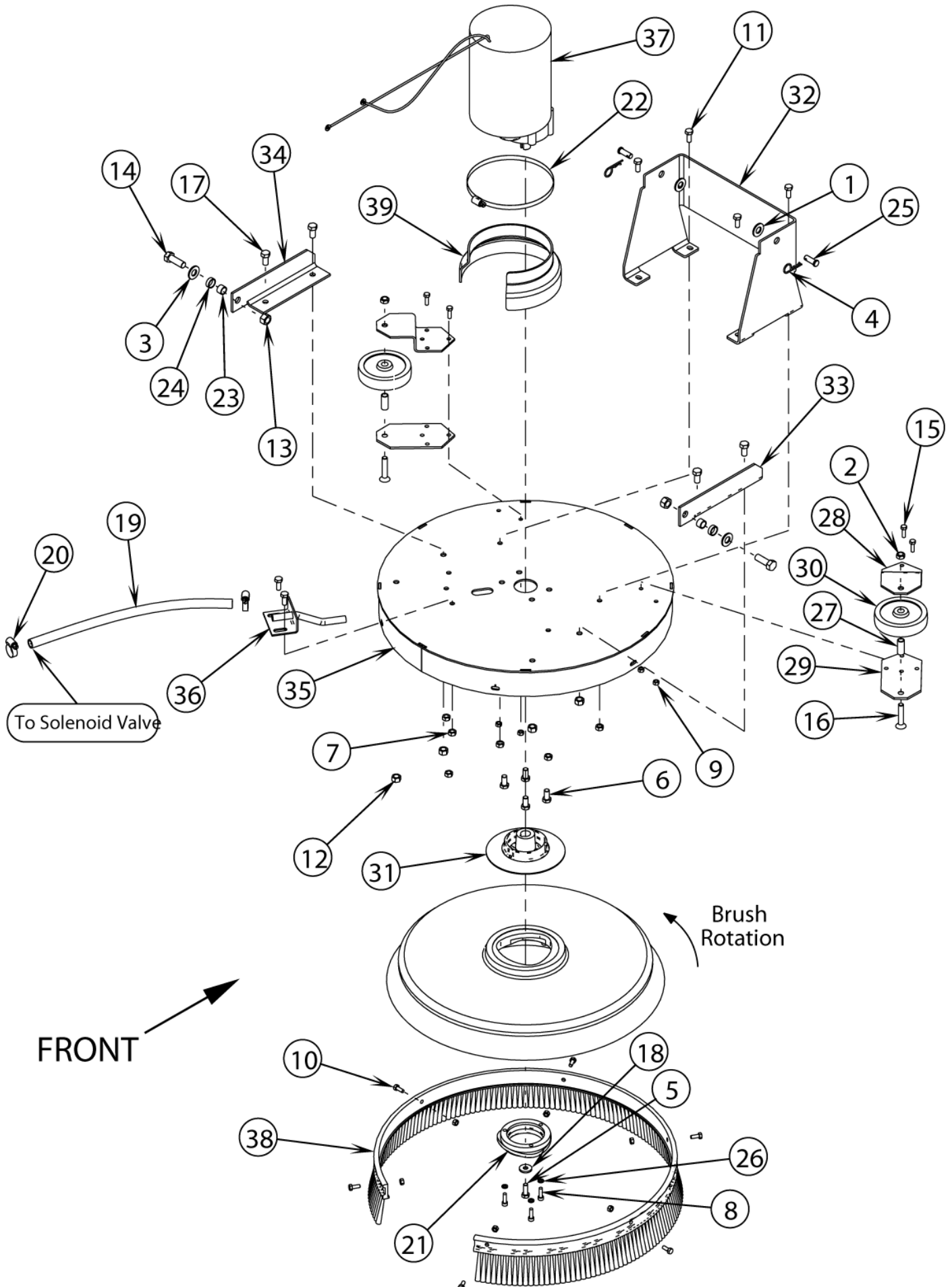
BA 550/650 (after 2002-05)

08-06-2011

Part List ID

E126113

16



SCRUB DECK SYSTEM-20" (before SN1759839

BA 550/650 (after 2002-05)

08-06-2011

Part List ID

E126113

17

Pos	Part no.	Qty	Description	EAN
0	56396248	1	KIT RUBBER SPLASH GUARD	Not included, optional
0	L08837018	1	PAD HOLDER 530MM	Not included, optional 5715492036
0	L08837025	1	BRUSH PROLENE 530MM	Not included, optional 5715492037
0	L08837026	1	BRUSH PROLITE 530MM	Not included, optional
0	L08837027	1	BRUSH UNION MIX 530MM	Not included, optional
0	L08837028	1	BRUSH, MIDLITE 180 GRIT	Not included, optional
0	L08837029	1	BRUSH,MIDGRIT MEDIUM	Not included, optional
0	L08837065	1	BRUSH MAGNA GRIT 46 530MM	Not included, optional
0	L08837067	1	BRUSH A SLIDEE GRIT 500	Not included, optional
1	56001879	2	WSH FLT SAE 1/2	5711144000
2	56002769	2	NUT HEX NYL LOC 3/8 16	5711144002
3	56002918	2	WSH FLT SAE SS 1/2	5711144003
4	56002959	2	PIN COT HAIR SS.090XDIA.50/.75	5711144003
5	56003335	1	SCR HEX LOC SS 5/16 18 X .88	5711144005
6	56003338	4	SCR. HEX LOC SS 3/8 16X.75	5711144005
7	56003405	6	NUT HEX NYL LOC SS M8X1.25	5711144005
8	56003424	3	SCR SOC SS M6 1.00X20MM	5711144005
9	56003426	10	NUT HEX NYL LOC SS M6	5711144005
10	56003431	6	SCR HEX SS M6 1.00X16MM	5711144005
11	56003435	6	SCR HEX SS M8 1.25X20MM	5711144005
12	56003438	4	NUT HEX NYL LOC SS M10 1.50	5711144005
13	56003450	2	SCR HX NYLOC SS M12 X 1.75	5711144005
14	56003453	2	SCR HEX SS M12 1.75 X 35MM	5711144005
15	56003454	4	SCR HEX THD TO HD SS M6 1X20MM	5711144005
16	56003524	2	SCR FLT SOC 3/8 16 X 2.00	5711144006
17	56003533	4	SCR HEX SS M10 1.50X20MM	5711144006
18	56009122	1	WSH FLT .344X.938X.125	5711144008
19	56459064	1	HOSE E00199	5711144114
20	56219932	2	CLAMP HOSE SAE 6 E00047	5711144033
21	L08812480	1	HUB.BRUSH	5711140018
22	56355488	1	CLAMP HOSE SAE 96 ER00047	5711144066
23	56360627	2	BUSHING .50X.62X.41CT32G	5711144066
24	56478781	2	BEARING SLEEVE .627RE450CE0202	5711144124
25	56003523	2	PIN CLEVIS .500 X 1.00	
26	56003547	3	WSH FLT 6.4MMX11MMX1.6MM	5711144006
27	56054018	2	SPACER STEEL	5711144016
28	56057850	2	PLATE STEEL	5711144018
29	56057873	2	PLATE STEEL	5711144018
30	56111639	2	WHEEL 4.00 DIA.	5711144026
31	56397037	1	CLUTCH PLATE ALUMINUM	5711144079
32	56397070	1	BRACKET U BRUSH HEAD 20IN.	
33	56397072	1	BRACKET BRUSH HEAD RIGHT	

SCRUB DECK SYSTEM-20" (before SN1759839

BA 550/650 (after 2002-05)

08-06-2011

Part List ID

E126113

18

Pos	Part no.	Qty	Description		EAN
34	56397073	1	BRACKET BRUSH HEAD LEFT		
35	56397076	1	WELDMENT BRUSH HEAD COVER		
36	56397078	1	WELDMENT FORMED TUBE		
37	56397079	1	MOTOR/GEARBOX ASSEMBLY	M3	5711144079
37	56397090	1	BEARING B.E.	Replacement Parts for 56397079	5711144079
37	56397135	1	BEARING F.E.	Replacement Parts for 56397079	5711144079
37	56397138	4	BRUSH SPRING	Replacement Parts for 56397079	5711144079
37	56397139	4	CARBON BRUSH SET OF 4	Replacement Parts for 56397079	5711144079
38	56397111	1	SKIRT BRISTLE DECK		5711144079
39	56397112	1	SHROUD MOTOR		5711144079

SCRUB DECK SYSTEM-20" (after SN1759838)

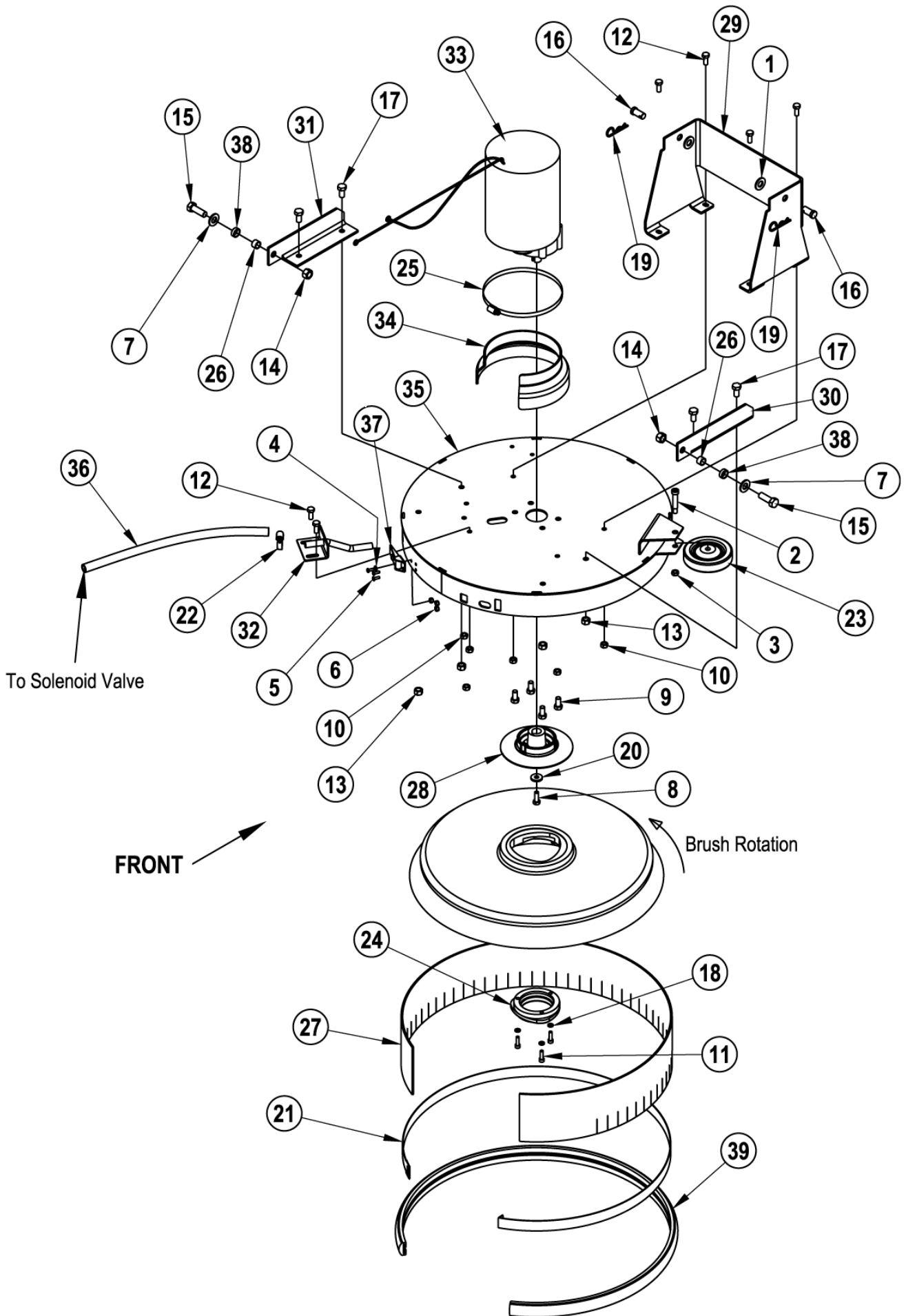
BA 550/650 (after 2002-05)

08-06-2011

Part List ID

E126115

19



SCRUB DECK SYSTEM-20" (after SN1759838)

BA 550/650 (after 2002-05)

08-06-2011

Part List ID

E126115

20

Pos	Part no.	Qty	Description		EAN
0	56396248	1	KIT RUBBER SPLASH GUARD	Includes Pos. 21, 27, 39 - Not included, optional	
0	L08837018	1	PAD HOLDER 530MM	Not included, optional	5715492036
0	L08837025	1	BRUSH PROLENE 530MM	Not included, optional	5715492037
0	L08837026	1	BRUSH PROLITE 530MM	Not included, optional	
0	L08837027	1	BRUSH UNION MIX 530MM	Not included, optional	
0	L08837028	1	BRUSH, MIDLITE 180 GRIT	Not included, optional	
0	L08837029	1	BRUSH, MIDGRIT MEDIUM	Not included, optional	
0	L08837065	1	BRUSH MAGNA GRIT 46 530MM	Not included, optional	
0	L08837067	1	BRUSH A SLIDEE GRIT 500	Not included, optional	
1	56001879	2	WSH FLT SAE 1/2		5711144000
2	56002625	1	SCR SOC SHD.38X1.50X5/16 18		5711144002
3	56002826	1	NUT HEX NYL LOC THIN 5/16 18		5711144002
4	56002875	1	WSH FLT SAE SS 8		5711144002
5	56002876	3	SCREW 8 32 X 0.5 PNH PH SS		5711144002
6	56002877	3	NUT HEX NYL LOC SS 8 32		5711144002
7	56002918	2	WSH FLT SAE SS 1/2		5711144003
8	56003335	1	SCR HEX LOC SS 5/16 18 X .88		5711144005
9	56003338	4	SCR. HEX LOC SS 3/8 16X.75		5711144005
10	56003405	6	NUT HEX NYL LOC SS M8X1.25		5711144005
11	56003424	3	SCR SOC SS M6 1.00X20MM		5711144005
12	56003435	6	SCR HEX SS M8 1.25X20MM		5711144005
13	56003438	4	NUT HEX NYL LOC SS M10 1.50		5711144005
14	56003450	2	SCR HX NYLOC SS M12 X 1.75		5711144005
15	56003453	2	SCR HEX SS M12 1.75 X 35MM		5711144005
16	56003523	2	PIN CLEVIS .500 X 1.00		
17	56003533	4	SCR HEX SS M10 1.50X20MM		5711144006
18	56003547	3	WSH FLT 6.4MMX11MMX1.6MM		5711144006
19	56003222	2	PIN COT HAIR .125 X DIA.50/.75		5711144004
20	56009122	1	WSH FLT .344X.938X.125		5711144008
21	56035617	1	WELDMENT SPLASH GUARD CLAMP		
22	56219932	1	CLAMP HOSE SAE 6 E00047		5711144033
23	56228102	1	WHEEL 4.00X.875 FC115		5711144033
24	L08812480	1	HUB.BRUSH		5711140018
25	56355488	1	CLAMP HOSE SAE 96 ER00047		5711144066
26	56360627	2	BUSHING .50X.62X.41CT32G		5711144066
27	56396247	1	GUARD SPLASH		
28	56397037	1	CLUTCH PLATE ALUMINUM		5711144079
29	56397070	1	BRACKET U BRUSH HEAD 20IN.		
30	56397072	1	BRACKET BRUSH HEAD RIGHT		
31	56397073	1	BRACKET BRUSH HEAD LEFT		
32	56397078	1	WELDMENT FORMED TUBE		
33	56397079	1	MOTOR/GEARBOX ASSEMBLY	M3	5711144079

SCRUB DECK SYSTEM-20" (after SN1759838)

BA 550/650 (after 2002-05)

08-06-2011

Part List ID

E126115

21

Pos	Part no.	Qty	Description		EAN
33	56397090	1	BEARING B.E.	Replacement for 56397079	5711144079
33	56397135	1	BEARING F.E.	Replacement for 56397079	5711144079
33	56397138	4	BRUSH SPRING	Replacement for 56397079	5711144079
33	56397139	4	CARBON BRUSH SET OF 4	Replacement for 56397079	5711144079
34	56397112	1	SHROUD MOTOR		5711144079
35	56397574	1	WELDMENT BRUSH COVER		
36	56459064	1	HOSE E00199		5711144114
37	56471194	1	LATCH ASSY RE32		5711144123
38	56478781	2	BEARING SLEEVE .627RE450CE0202		5711144124
39	56645144	1	EXTRUSION BUMPER		5711144143

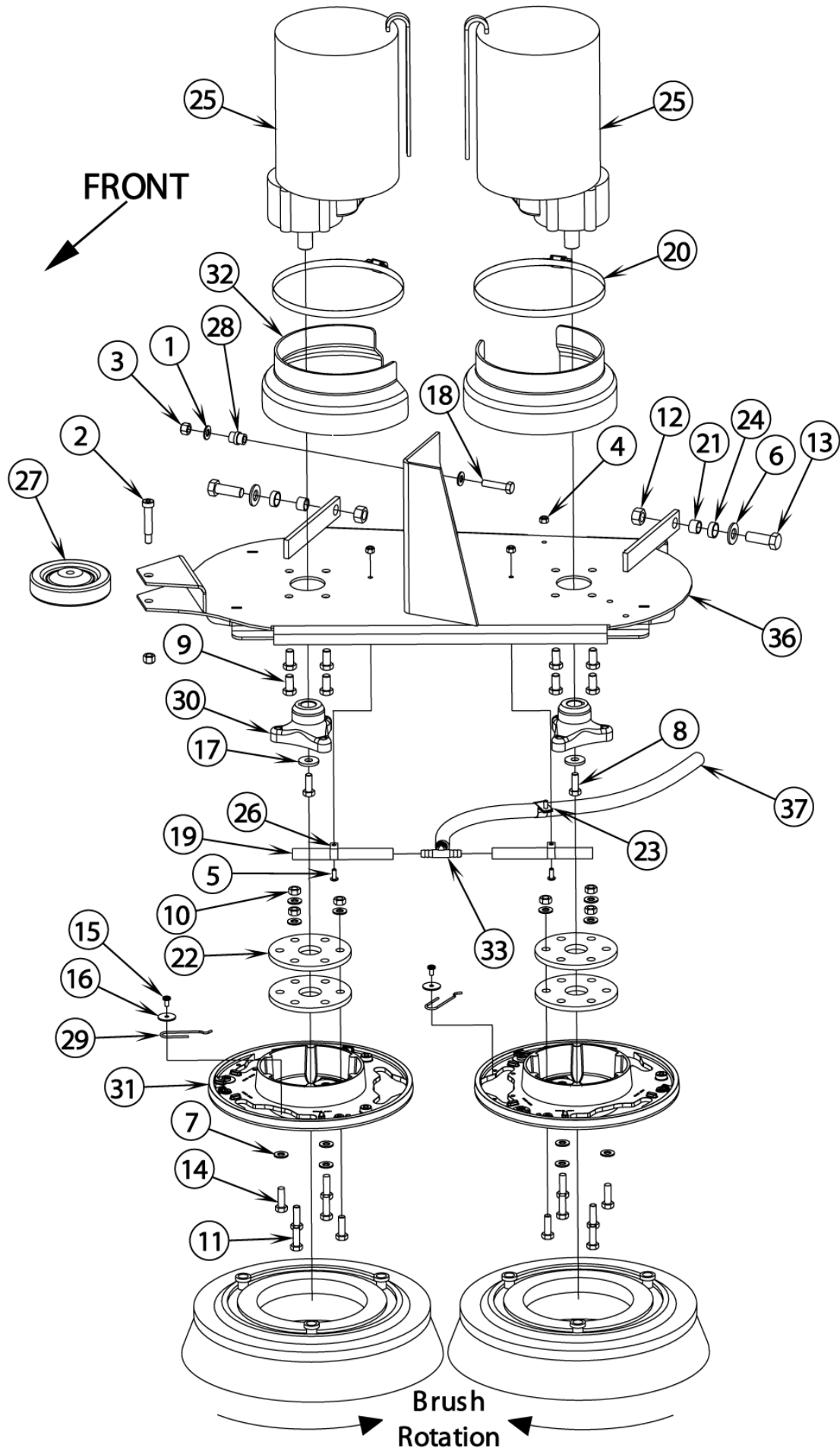
SCRUB DECK SYSTEM-26"

BA 550/650 (after 2002-05)

08-06-2011

Part List ID
E126117

22



SCRUB DECK SYSTEM-26"

BA 550/650 (after 2002-05)

08-06-2011

Part List ID

E126117

23

Pos	Part no.	Qty	Description		EAN
0	56505760	2	PAD HOLDER 13 3 LUG	Not included, optional	5711144128
0	56505761	2	DISC BRUSH 13 MAGNAGRIT 3 LUG	Not included, optional	5711144128
0	56505762	2	DISC BRUSH 13 DYNAGRIT 3 LUG	Not included, optional	5711144128
0	56505763	2	DISC BRUSH 13 AGLITE 3 LUG	Not included, optional	5711144128
0	56505764	2	DISC BRUSH 13 PROLENE 3 LUG	Not included, optional	5711144128
0	56505765	2	DISC BRUSH 13 PROLITE 3 LUG	Not included, optional	5711144128
0	56505766	2	DISC BRUSH 13 UNION MIX 3 LUG	Not included, optional	5711144128
0	56505767	2	DISC BRUSH 13 MIDGRIT 3 LUG	Not included, optional	5711144128
0	56505768	2	DISC BRUSH 13 MIDLITE 3 LUG	Not included, optional	5711144128
1	56001939	2	WSH FLT SAE 5/16		5711144000
2	56002625	1	SCR SOC SHD.38X1.50X5/16 18		5711144002
3	56002701	2	NUT HEX NYL LOC 5/16 18		5711144002
4	56002836	3	NUT HEX NYL LOC SS 10 24		5711144002
5	56002900	3	SCR PAN PHIL SS 10 24 X .50		5711144003
6	56002918	2	WSH FLT SAE SS 1/2		5711144003
7	56002938	12	WSH FLT SAE SS 5/16		5711144003
8	56003335	2	SCR HEX LOC SS 5/16 18 X .88		5711144005
9	56003338	8	SCR. HEX LOC SS 3/8 16X.75		5711144005
10	56003405	6	NUT HEX NYL LOC SS M8X1.25		5711144005
11	56003436	6	SCR HEX SS M8 1.25X25MM		5711144005
12	56003450	2	SCR HX NYLOC SS M12 X 1.75		5711144005
13	56003453	2	SCR HEX SS M12 1.75 X 35MM		5711144005
14	56003477	6	SCR HX NYLOC SS M8 1.25 X 25MM		5711144005
15	56009030	2	SCR PAN PHIL THD FOM 10 24X.38		5711144007
16	56009096	2	WSH FLT .193X.875X.060		5711144008
17	56009107	2	WSH FLT SS .378/.373X1.00X.075		5711144008
18	56009256	1	SCR HEX 5/16 18X1.38		5711144008
19	56257534	2	TUBE PVC .38 X 5.50FA39TE00552		5711144035
20	56355488	2	CLAMP HOSE SAE 96 ER00047		5711144066
21	56360627	2	BUSHING .50X.62X.41CT32G		5711144066
22	56407053	4	THERMOID DISC		5711144081
23	56442003	1	CLAMP CABLE .677 E00129		5711144107
24	56478781	2	BEARING SLEEVE .627RE450CE0202		5711144124
25	56027153	2	MOTOR 24V	M3 / M4	5711144013
25	56397048	1	BRUSH BOARD SPRINGS/BRUSHES	Spring / Bushes - Replacement for 56027153	5711144079
25	56397090	1	BEARING B.E.	Replacement for 56027153	5711144079
25	56397135	1	BEARING F.E.	Replacement for 56027153	5711144079
25	56397138	4	BRUSH SPRING	Replacement for 56027153	5711144079
25	56397139	4	CARBON BRUSH SET OF 4	Replacement for 56027153	5711144079
26	56056903	2	CLAMP LOOP E00129		5711144017
27	56228102	1	WHEEL 4.00X.875 FC115		5711144033
28	56397024	1	BUSHING		5711144079

SCRUB DECK SYSTEM-26"

BA 550/650 (after 2002-05)

08-06-2011

Part List ID

E126117

24

Pos	Part no.	Qty	Description	EAN
29	56397081	2	SPRING RETAINER	5711144079
30	56314108	2	HUB DRIVE	5711144054
31	56314030	2	BRUSH HOLDER	5711144053
32	56397112	2	SHROUD MOTOR	5711144079
33	56397300	1	TEE BARB	5711144080
34	56397560	1	LEFT BRUSH COVER ASSY.	Following pages 5711144080
35	56397561	1	RIGHT BRUSH COVER ASSY.	Following pages 5711144080
36	56397571	1	WELDMENT 26 SCRUB DECK	5711144081
37	56397599	1	HOSE E00199	5711144081

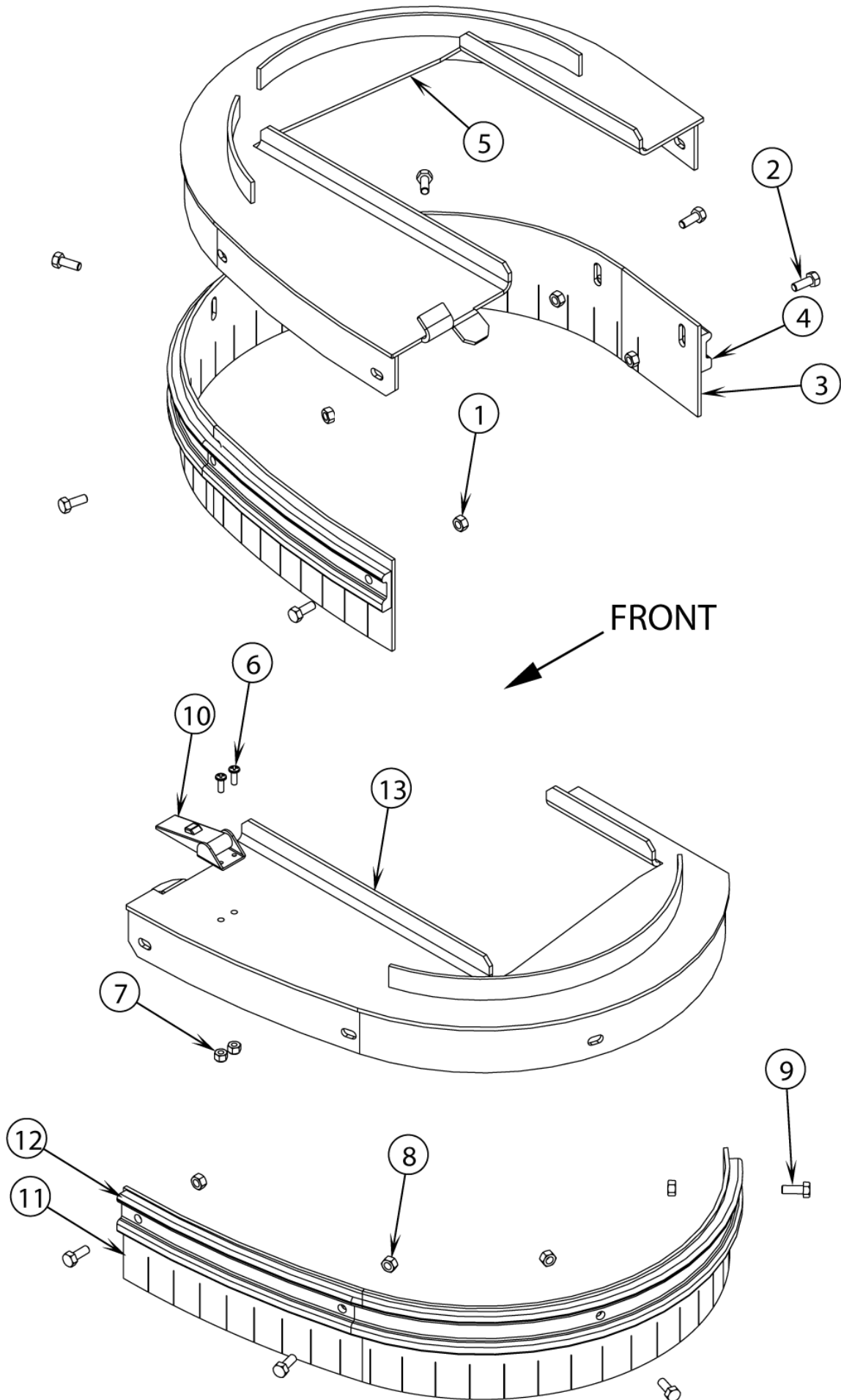
SKIRT ASSEMBLIES-26"

BA 550/650 (after 2002-05)

08-06-2011

Part List ID
E126119

25



SKIRT ASSEMBLIES-26"

BA 550/650 (after 2002-05)

08-06-2011

Part List ID

E126119

26

Pos	Part no.	Qty	Description		EAN
0	56397066	1	BLADE KIT DISC FABRIC 26	Includes pod. 1,2,3,4,8,9,11,12 - Not included, op	5711144079
0	56397560	1	LEFT BRUSH COVER ASSY.	Pos. 6-13	5711144080
0	56397561	1	RIGHT BRUSH COVER ASSY.	Pos. 1-5	5711144080
1	56003426	6	NUT HEX NYL LOC SS M6		5711144005
2	56003431	6	SCR HEX SS M6 1.00X16MM		5711144005
3	56397000	1	BLADE DECK NEOPRENE RT		5711144078
3	56397346	1	SKIRT BRISTLE DECK RT	Not included, optional	5711144080
4	56397004	1	CHANNEL RIGHT		5711144078
5	56397563	1	RIGHT BRUSH COVER WELDMENT		5711144080
6	56002876	2	SCREW 8 32 X 0.5 PNH PH SS		5711144002
7	56002877	2	NUT HEX NYL LOC SS 8 32		5711144002
8	56003426	4	NUT HEX NYL LOC SS M6		5711144005
9	56003431	4	SCR HEX SS M6 1.00X16MM		5711144005
10	56471194	1	LATCH ASSY RE32		5711144123
11	56397002	1	BLADE LEFT		5711144078
11	56397347	1	SKIRT LEFT BRISTLE	Not included, optional	5711144080
12	56397006	1	CHANNEL LEFT		5711144079
13	56397562	1	LEFT BRUSH COVER WELDMENT		5711144080

SOLUTION SYSTEM

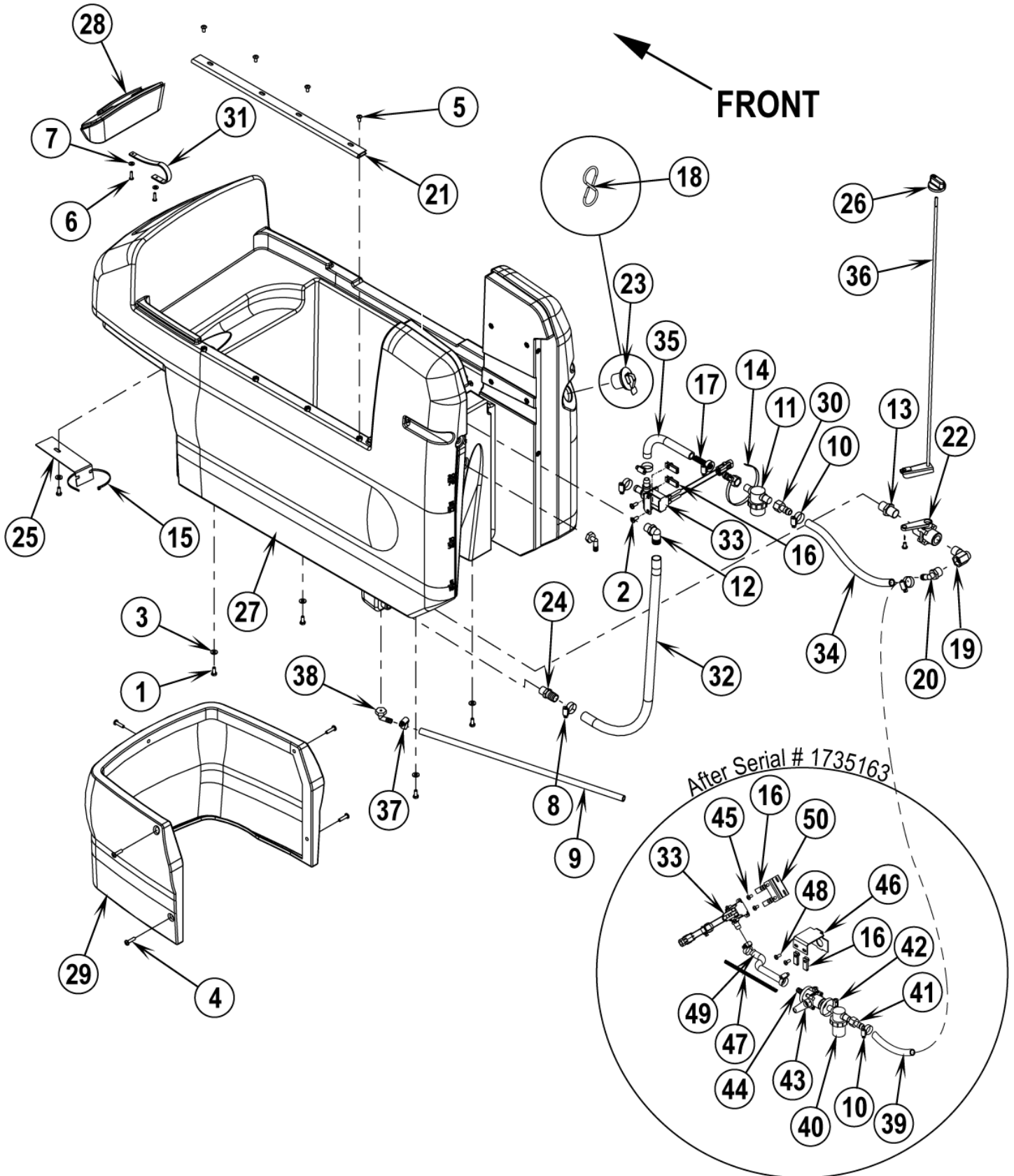
BA 550/650 (after 2002-05)

08-06-2011

Part List ID

E126121

27



SOLUTION SYSTEM

BA 550/650 (after 2002-05)

08-06-2011

Part List ID

E126121

28

Pos	Part no.	Qty	Description	EAN
1	56001836	5	SCR HEX 1/4 20 X .62	5711144000
2	56002066	2	SCR PAN PHIL 1/4 20 X .62	5711144000
3	56002098	7	WSH FLT SAE 1/4	5711144000
4	56002292	5	SCR PAN PHIL 1/4 20 X 1.00	5711144001
5	56003119	5	SCR PAN PHIL SS 1/4 20 X .50	5711144004
6	56009005	2	SCR PANPHILS TYPE AB 10 16X.75	5711144007
7	56009205	2	WSH FLT SS .219X.500X.047/.062	5711144008
8	56112771	1	CLAMP HOSE SAE 10 E00047	5711144028
9	56201036	1	HOSE PVC	5711144029
10	56219932	5	CLAMP HOSE SAE 6 E00047	5711144033
11	56260905	1	STRAINER	5711144035
12	56264442	1	ELBOW BARB E00037	5711144037
13	56412182	1	COUPLING 1/2NPT TO 1/2NPT	5711144091
14	56477613	1	CABLE TIE E00549 RE409S	5711144123
15	56478523	1	CABLE TIE E00549	5711144124
16	56009289	2	NUT U MULTI THREAD 1/4 20	5711144009
			Qty of 4 after serial no. 1735163	
17	56048979	1	SPRING COMPRESSION E00453	
18	56051836	1	HOOK	5711144016
19	56055071	1	ELBOW STREET	5711144017
20	56409152	1	BARB 90 1/2 NPTX1/2 E00037	5711144083
21	56056291	1	HINGE BUTT 2.00 X 22.00	5711144017
22	56314899	1	VALVE SOLUTION	5711144057
23	56057852	1	PLUG EXPANSION 1.50 DIA. W/CH	5711144018
24	56057868	1	ADAPTER	5711144018
25	56057904	1	BRACKET EXHAUST HOSE	
26	56396201	1	KNOB	5711144078
27	56397020	1	TANK SOLUTION	5711144079
28	56397021	1	LID SOLUTION ASSEMBLY	5711144079
29	56397022	1	COVER FRONT	5711144079
30	56397145	2	BARB HOSE FEMALE	5711144079
31	56397167	1	STRAP RETAINING	5711144079
32	56397186	1	HOSE PVC .75X29.0 E00521	5711144079
33	56397203	1	SOLUTION VALVE ASSY.	5711144080
34	56262663	1	HOSE PVC .500 X 9 E00199	5711144036
35	56397209	1	HOSE PVC .500X4.0 E00199	5711144080
36	56397320	1	WELDMENT SHAFT WATER VALVE	5711144080
37	56756364	1	CLAMP HOSE SAE 4 E00047	5711144144
38	56900033	2	ELBOW BARB E00037	5711144145
39	56397382	1	HOSE PVC .500 X 8 E00199	5711144079
			Only used after serial no. 1735163	
42	56329145	2	CLAMP HOSE SAE 24 E00047	5711144065
			Only used after serial no. 1735163	
43	56396505	1	VALVE LOW FLOW	5711144078
			Only used after serial no. 1735163	
44	56412184	1	BARB ADAPTER 1/2 E00039	5711144091
			Only used after serial no. 1735163	

SOLUTION SYSTEM

BA 550/650 (after 2002-05)

08-06-2011

Part List ID

E126121

29

Pos	Part no.	Qty	Description		EAN
45	56002145	4	SCR PAN PHIL 1/4 20 X .50	Only used after serial no. 1735163	5711144001
47	56373686	1	SPRING COM .42X8.00 E00453	Only used after serial no. 1735163	5711144067
48	56003213	2	SCR PAN PHIL BLK 1/4 20 X .62	Only used after serial no. 1735163	5711144174
49	56262663	1	HOSE PVC .500 X 9 E00199	Only used after serial no. 1735163	5711144036

SQUEEGEE SYSTEM-20"

BA 550/650 (after 2002-05)

08-06-2011

Part List ID
E126123

31

Pos	Part no.	Qty Description	EAN
1	56002098	2 WSH FLT SAE 1/4	5711144000
2	56002856	1 NUT HEX NYL LOC SS 5/16 18	5711144002
3	56002597	1 SCR HEX 3/8 24 X .75	5711144001
4	56002903	1 SCR HEX SS 3/8 16 X 2.75	5711144003
5	56009103	1 NUT HEX JAM 3/8 24	5711144008
6	56003219	1 NUT HEX NYL LOC SS 3/8 16	5711144004
7	56009141	1 NUT HEX JAM SS 5/16 18	5711144008
8	56009276	1 SCR CARRIAGE 1/4 20X2.50	5711144009
9	56002063	3 WSH FLT SAE 3/8	TSBUS2003-840 5711144000
10	56397386	1 SQUEEGEE PIVOT KIT	TSBUS2003-840 5711144080
11	56056519	1 SPRING COMPRESSION E00453	5711144017
12	56397559	1 CABLE SQUEEGEE	5711144080
13	56397100	1 SQUEEGEE ASSEMBLY	Pos. 17-35 5711144079
14	56397104	1 BRACKET SQUEEGEE MOUNT	5711144079
15	56397107	1 WELDMENT SQUEEGEE BRACKET	5711144079
16	56397108	1 KNOB SQUEEGEE MOUNT	5711144079
17	56002835	4 SCR HEX SS 10 24 X .75	5711144002
18	56002836	4 NUT HEX NYL LOC SS 10 24	5711144002
19	56002491	8 NUT HEX NYL LOC SS 1/4 20	5711144001
20	56002859	2 WSH FLT SAE SS 1/4	5711144002
21	56002909	2 SCR PAN PHIL SS 6 32 X .38	5711144003
22	56002964	2 NUT HEX NYL LOC THIN SS 6 32	5711144003
23	56002901	2 SCR HEX SS 1/4 20 X 1.50	5711144003
24	56009111	2 NUT WING S.S. 1/4 20	5711144008
25	56363855	2 WHEEL 2.50X.812 CA215W	5711144066
26	56397102	1 WELDMENT SQUEEGEE TOOL	
27	56393395	1 BLADE KIT SQUEEGEE GUM	Standard - NOTE 1 5711144075
27	56393396	1 BLADE KIT SQUEEGEE NEO	Oil Resistant - Not included, optional - NOTE 1 5711144075
27	56397329	1 BLADE SQUEEGEE GUM FR	Gum - Not included, optional 5711144080
28	56393755	2 ROLLER ASSY	5711144076
29	56393761	1 STRAP FRONT	5711144076
30	56393762	1 STRAP REAR RT.	5711144076
31	56393763	1 STRAP REAR LT.	5711144076
32	56471194	1 LATCH ASSY RE32	5711144123
33	56471220	2 BUSHING .25X.37X1.0RE185L	5711144123
34	56396254	2 KNOB	5711144078

NOTE 1: All squeegee blade kits include both front and rear squeegee blades.

SQUEEGEE SYSTEM-26"

BA 550/650 (after 2002-05)

08-06-2011

Part List ID

E126125

33

Pos	Part no.	Qty	Description	EAN
1	56002098	2	WSH FLT SAE 1/4	5711144000
2	56002856	1	NUT HEX NYL LOC SS 5/16 18	5711144002
3	56002597	1	SCR HEX 3/8 24 X .75	5711144001
4	56002903	1	SCR HEX SS 3/8 16 X 2.75	5711144003
5	56009103	1	NUT HEX JAM 3/8 24	5711144008
6	56003219	1	NUT HEX NYL LOC SS 3/8 16	5711144004
7	56009141	1	NUT HEX JAM SS 5/16 18	5711144008
8	56009276	1	SCR CARRIAGE 1/4 20X2.50	5711144009
9	56002063	3	WSH FLT SAE 3/8	5711144000
10	56397386	1	SQUEEGEE PIVOT KIT	5711144080
11	56056519	1	SPRING COMPRESSION E00453	5711144017
12	56397559	1	CABLE SQUEEGEE	5711144080
13	56397104	1	BRACKET SQUEEGEE MOUNT	5711144079
14	56397107	1	WELDMENT SQUEEGEE BRACKET	5711144079
15	56397108	1	KNOB SQUEEGEE MOUNT	5711144079
16	56397185	1	SQUEEGEE ASSEMBLY	5711144079
17	56471220	4	BUSHING .25X.37X1.0RE185L	5711144123
18	56002807	4	SCR HEX SS 1/4 20 X .75	5711144002
19	56002491	12	NUT HEX NYL LOC SS 1/4 20	5711144001
20	56002859	2	WSH FLT SAE SS 1/4	5711144002
21	56002901	4	SCR HEX SS 1/4 20 X 1.50	5711144003
22	56002909	2	SCR PAN PHIL SS 6 32 X .38	5711144003
23	56002964	2	NUT HEX NYL LOC THIN SS 6 32	5711144003
24	56009048	2	NUT WING LOC 1/4 20	5711144007
25	56324350	2	WHEEL	5711144064
26	56324499	2	WHEEL 3.00X.781 HC315	5711144064
27	56391286	1	STRAP REAR RIGHT	5711144073
28	56391288	1	STRAP REAR LEFT	5711144073
29	56391290	1	STRAP FRONT	5711144073
30	56396236	1	TOOL WELDMENT	5711144078
31	56471194	1	LATCH ASSY RE32	5711144123
32	56391340	1	BLADE KIT SQUEEGEE GUM	Standard - NOTE 1 5711144073
32	56391342	1	BLADE KIT SQUEEGEE NEO	Oil Resistant - NOTE 1 - Not included, optional 5711144073
32	56397325	1	BLADE SQUEEGEE GUM FR	Gum - Not included, optional 5711144080
32	56397326	1	BLADE SQGEE RED GUM FR	Liantex - Not included, optional 5711144080
33	56396254	2	KNOB	5711144078
34	56409656	2	BRACKET WHEEL NILFISK	5711144085
35	56471194	1	LATCH ASSY RE32	5711144123

NOTE 1: All squeegee blade kits include both front and rear squeegee blades.

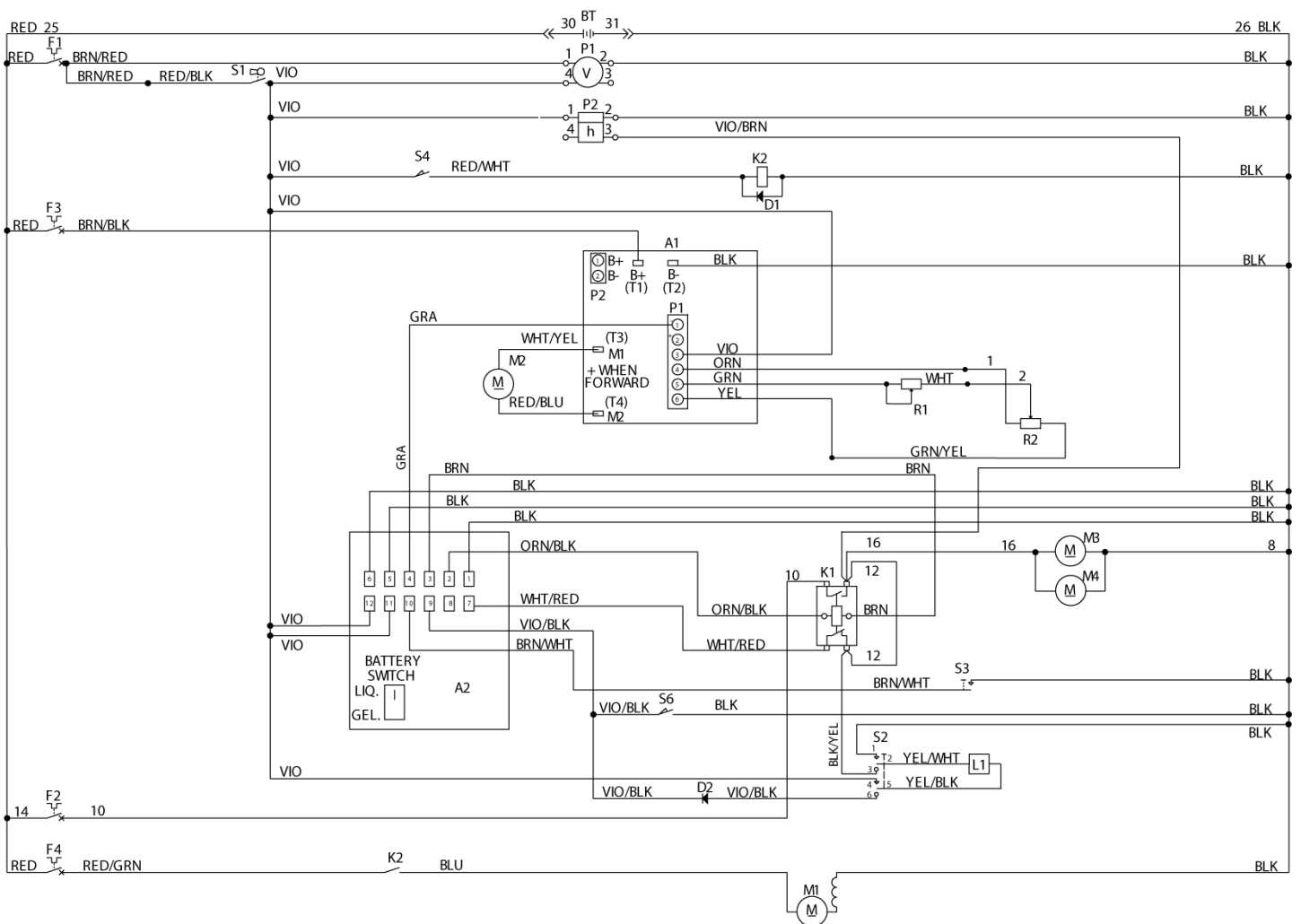
WIRING DIAGRAM

BA 550/650 (after 2002-05)

08-06-2011

Part List ID
E126127

34



WIRING DIAGRAM

BA 550/650 (after 2002-05)

08-06-2011

Part List ID
E126127

35

Pos	Part no.	Qty Description	EAN
0	56057920	1 SPACER ANGLE POLY For use with only 12V Batteries - Not shown	
0	56206079	4 BATTERY 6V 242AH WET Not included, optional	
0	56372947	1 CHARGER 24V AUTO 20A Not included, optional	
0	56397087	1 HARNESS Not shown	5711144079
0	56397453	1 INDICATOR BATTERY LEVEL Not included, optional	5711144080
0	56398090	8 TERMINAL CLAMP BTY CT414 Not shown	5711144081
8	56397114	1 CABLE ASSY 6AWG	5711144079
10	56397118	1 CABLE ASSY 6AWG	
12	56397116	1 CABLE ASSY 6AWG	
14	56397117	1 CABLE ASSY 6AWG	
16	56397115	1 CABLE ASSY 6AWG	5711144079
A1	56324023	1 SPEED CONTROLLER	5711144063
A2	56397124	1 TIMER MODULE ASSEMBLY	5711144079
BT		1 NOTE COMMENT Battery - Not available	5701715456
D1	56389265	1 RECTIFIER ASSY.	5711144072
D2	56460084	1 DIODE Main Wiring Harness	
F1	56387316	1 CIRCUIT BREAKER 10A Auxiliary	5711144071
F2	56263260	1 CIRCUIT BREAKER 60A 26" models / Brush motor	5711144036
F2	56452193	1 CIRCUIT BREAKER 40A 20" models / Brush motor	5711144108
F3	56454423	1 CIRCUIT BREAKER 30A Wheel Drive Motor(s)	5711144110
F4	56454423	1 CIRCUIT BREAKER 30A Vac Motor	5711144110
K1	56397088	1 CONTACTOR 24V SPDT Brush Motor(s)	5711144079
K2	56412179	1 CONTACTOR 24 VDC Vacuum Motor	5711144091
L1	56397203	1 SOLUTION VALVE ASSY.	5711144080
M1	56397041	1 MOTOR VAC 24VDC	5711144079
M2	56026191	1 MOTOR DC 24V TSBUS2003-838 / NOTE 1	5711144013
M2	56396311	1 MOTOR 24V DC 1/2HP TSBUS2003-838 / NOTE 2	5711144078
M3	56027153	1 MOTOR 24V 26" model	5711144013
M3	56397079	1 MOTOR/GEARBOX ASSEMBLY 20" model	5711144079
M4	56027153	1 MOTOR 24V 26" model	5711144013
P1	56372089	1 FUEL GAUGE BATTERY	5711144067
P2	56393718	1 HOURMETER Optional	5711144076
R1	56397123	1 POTENTIOMETER 25K	5711144079
R2	56397029	1 POTENTIOMETER 5K	5711144079
S1	56301636	1 SWITCH TOGGLE Main Power	5711144040
S2	56324272	1 SWITCH FOR AG 16 Solution	5711144063
S3	56397122	1 SWITCH ROCKER SPST Brush remove	5711144079
S4	56462362	1 SWITCH ASSY.	5711144119
S6	56462362	1 SWITCH ASSY.	5711144119

NOTE 1: BA 550 before SN1645714 / BA 650 before SN1645725

NOTE 2: BA 550 after SN1645713 / BA 650 after SN1645724

BRUSH SELECTOR GUIDE

BA 550/650 (after 2002-05)

08-06-2011

Part List ID

E126128

37

Pos	Part no.	Qty	Description		EAN
1	L08837018	1	PAD HOLDER 530MM	20" Brushes	5715492036
2	L08837025	1	BRUSH PROLENE 530MM	20" Brushes	5715492037
3	L08837026	1	BRUSH PROLITE 530MM	20" Brushes	
4	L08837028	1	BRUSH, MIDLITE 180 GRIT	20" Brushes	
5	L08837029	1	BRUSH,MIDGRIT MEDIUM	20" Brusheshs	
6	L08837027	1	BRUSH UNION MIX 530MM	20" Brushes	
7	L08837065	1	BRUSH MAGNA GRIT 46 530MM	20" Brushes	
9	L08837067	1	BRUSH A SLIDEE GRIT 500	20" Brushes	
11	56505760	1	PAD HOLDER 13 3 LUG	26" Brushes	5711144128
12	56505761	1	DISC BRUSH 13 MAGNAGRIT 3 LUG	26" Brushes	5711144128
13	56505762	1	DISC BRUSH 13 DYNAGRIT 3 LUG	26" Brushes	5711144128
14	56505763	1	DISC BRUSH 13 AGLITE 3 LUG	26" Brushes	5711144128
15	56505764	1	DISC BRUSH 13 PROLENE 3 LUG	26" Brushes	5711144128
16	56505765	1	DISC BRUSH 13 PROLITE 3 LUG	26" Brushes	5711144128
17	56505766	1	DISC BRUSH 13 UNION MIX 3 LUG	26" Brushes	5711144128
18	56505767	1	DISC BRUSH 13 MIDGRIT 3 LUG	26" Brushes	5711144128
19	56505768	1	DISC BRUSH 13 MIDLITE 3 LUG	26" Brushes	5711144128

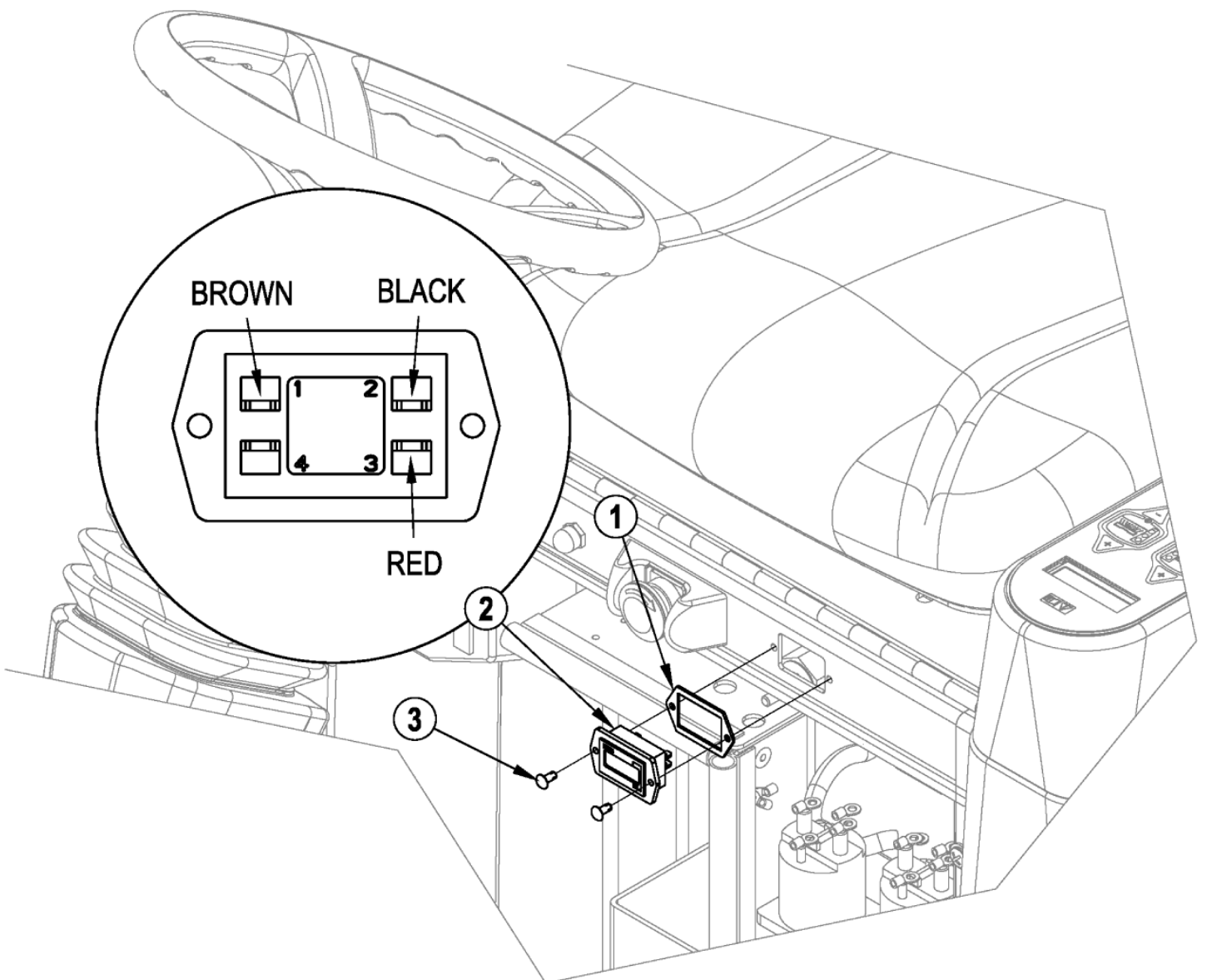
56302198 - Hour Meter Kit

BA 550/650 (after 2002-05)

08-06-2011

Part List ID
IS56040583

38



56302198 - Hour Meter Kit

BA 550/650 (after 2002-05)

08-06-2011

Part List ID
IS56040583

39

Pos	Part no.	Qty	Description	EAN
1	56392845	1	GASKET FUEL GAUGE	5711144074
2	56393718	1	HOURMETER	5711144076
3	56009192	2	RIVET PUSH NYLON BLACK	5711144008

56397558 - Squeegee Cable Kit

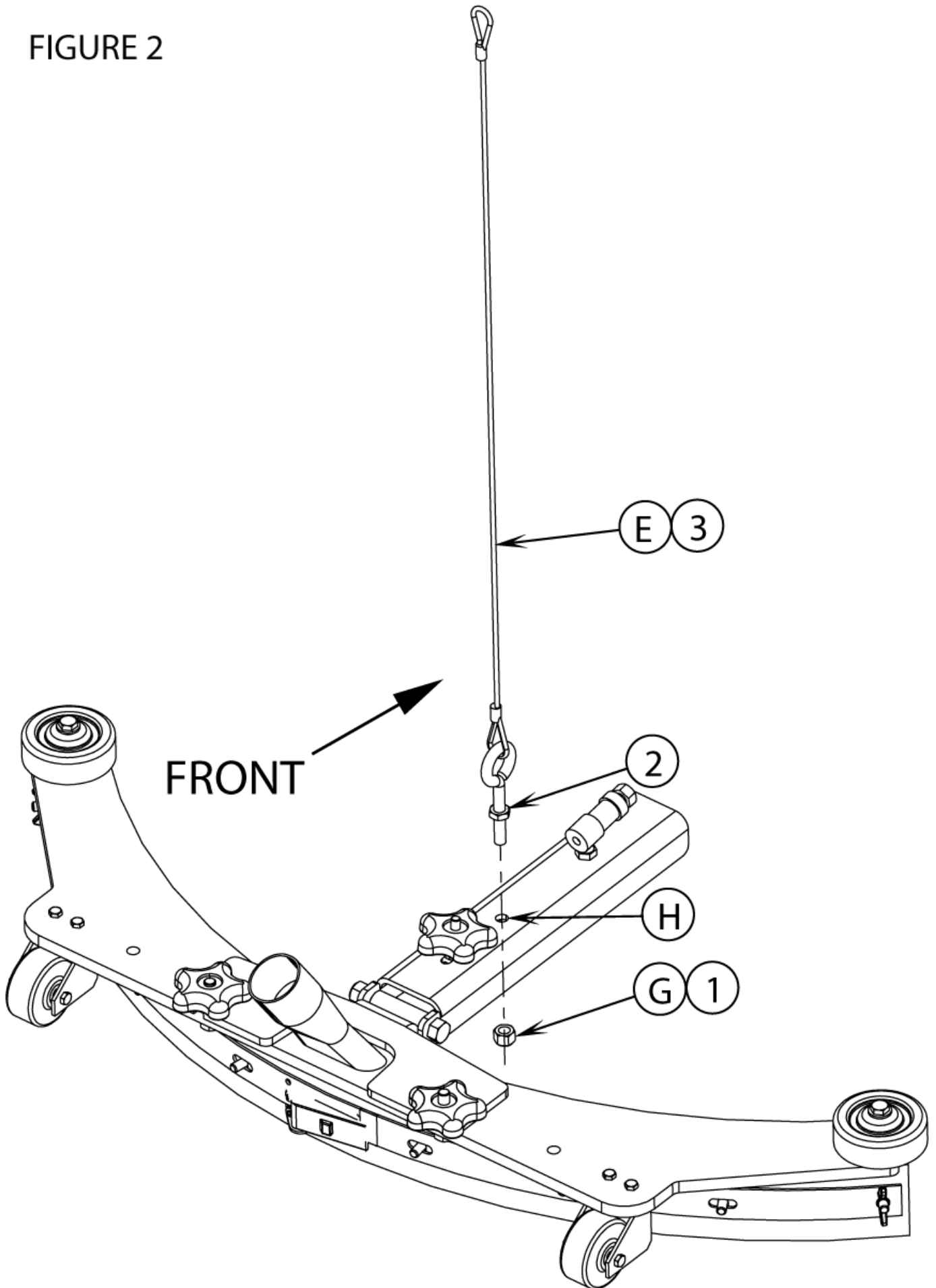
BA 550/650 (after 2002-05)

08-06-2011

Part List ID
IS56040771FIG2

40

FIGURE 2



56397558 - Squeegee Cable Kit

BA 550/650 (after 2002-05)

08-06-2011

Part List ID
IS56040771FIG2

41

Pos	Part no.	Qty	Description	EAN
1	56002856	1	NUT HEX NYL LOC SS 5/16 18	5711144002
2	56009141	1	NUT HEX JAM SS 5/16 18	5711144008
3	56397559	1	CABLE SQUEEGEE	5711144080

56397558 - Squeegee Cable Kit

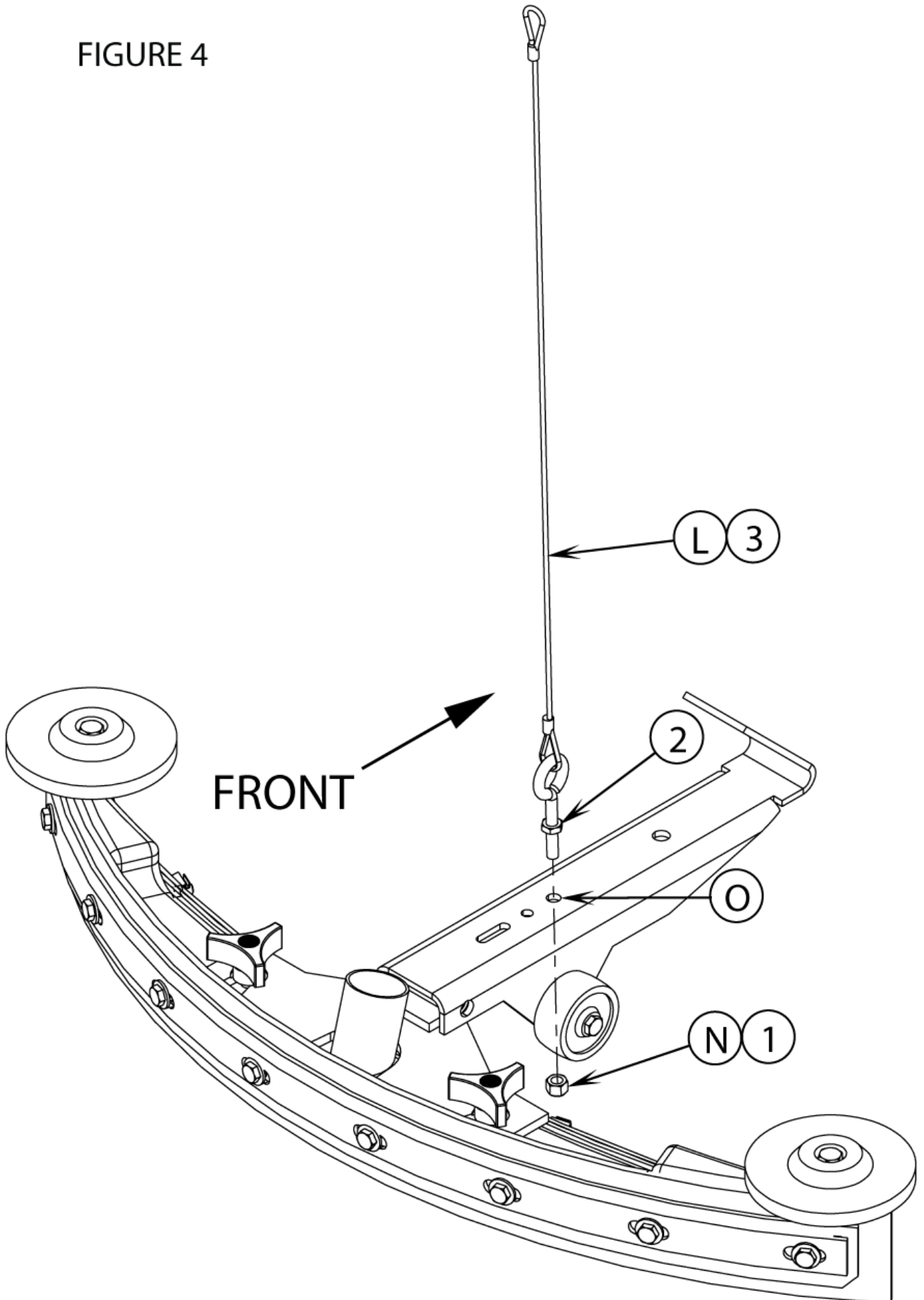
BA 550/650 (after 2002-05)

08-06-2011

Part List ID
IS56040771FIG4

42

FIGURE 4



56397558 - Squeegee Cable Kit

BA 550/650 (after 2002-05)

08-06-2011

Part List ID
IS56040771FIG4

43

Pos	Part no.	Qty	Description	EAN
1	56002856	1	NUT HEX NYL LOC SS 5/16 18	5711144002
2	56009141	1	NUT HEX JAM SS 5/16 18	5711144008
3	56397559	1	CABLE SQUEEGEE	5711144080

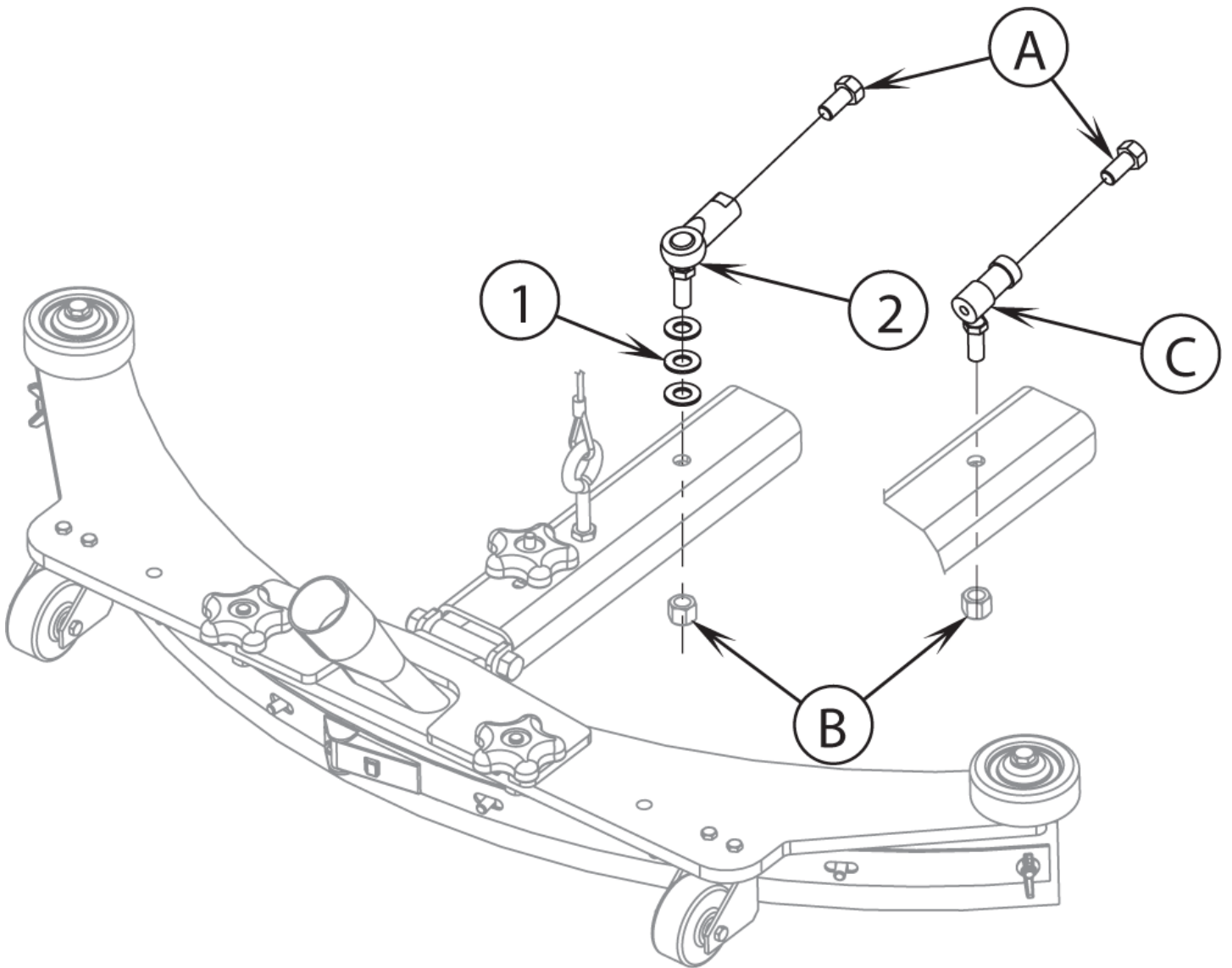
56397386 - Squeegee Pivot Kit

BA 550/650 (after 2002-05)

08-06-2011

Part List ID
IS56040796

44



56397386 - Squeegee Pivot Kit

BA 550/650 (after 2002-05)

08-06-2011

Part List ID
IS56040796

45

Pos	Part no.	Qty	Description	EAN
1	56002063	3	WSH FLT SAE 3/8	5711144000
2	56397385	1	BALL JOINT	5711144080